

Frames and Glass Filters / Spacing Pieces for LED/LCD Frames

G7831 = Product group; Product group discount G 78 3_

Frames and Glass Filters
For 7-Segment LED and LCD Displays
Digit Height: 13mm
Frame Colour: Black
Glass Filter Colour: Clear, Red
Series: AR, FS

Part Nr.	Part description
AR1925	Frame for 2-Digit Displays 13mm
AR1938	Frame for 3-Digit Displays 13mm
AR1950	Frame for 4-Digit Displays 13mm
AR1977	Frame for 6-Digit Displays 13mm
AR19101	Frame for 8-Digit Displays 13mm
FS1938AC-RT	Filter Glass, Acryl 51x25 Red
FS1950AC-RT	Filter Glass, Acryl 62x25 Red
FS1950KL	Filter Glass, 62x24 Clear
FS1977AC-RT	Filter Glass, Acryl 90x25 Red
FS1977KL	Filter Glass, 90x25 Clear

AR19_ Front Frames

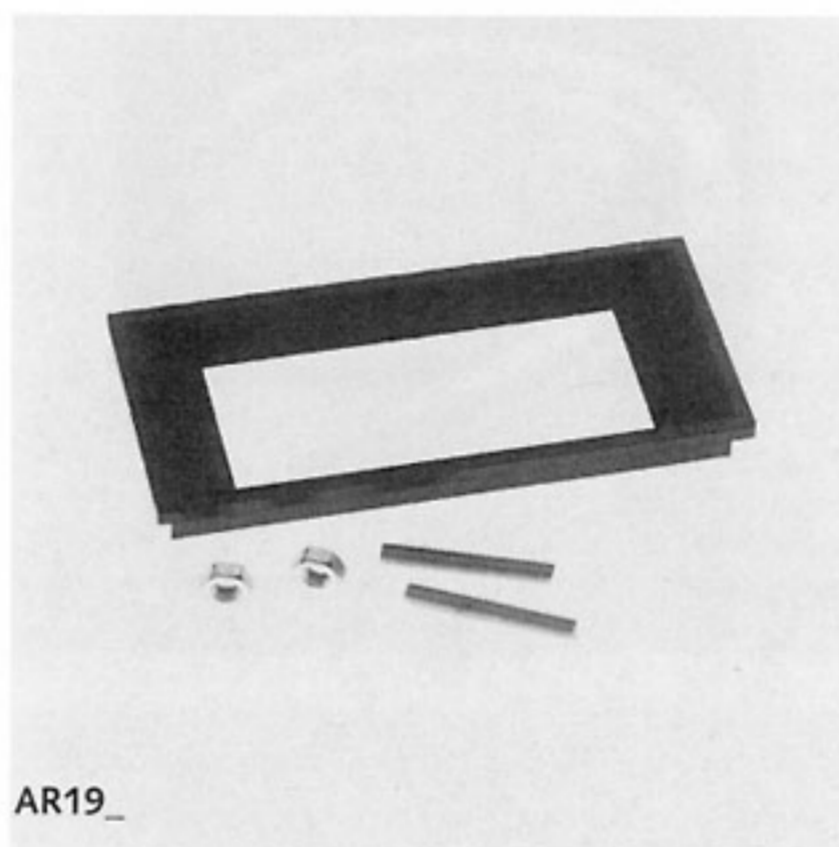
Features

Black front frame with a matt structured surface. Two thread poles are screwed into the frame and the display is connected to the frames with the help of two M3 nuts.

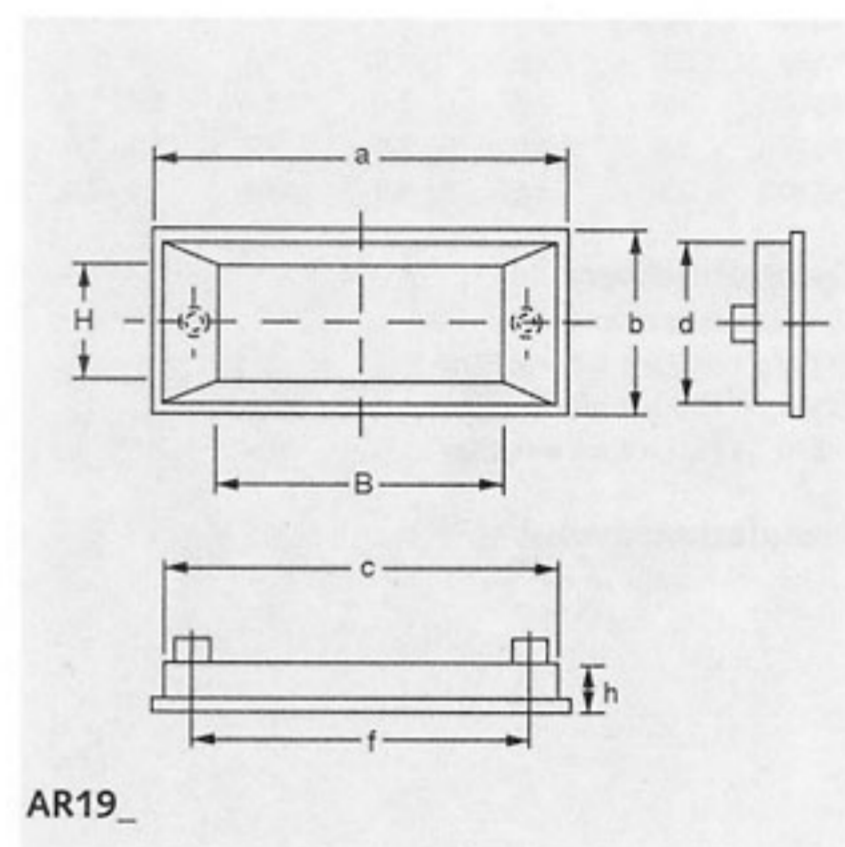
Dimensions

Part Nr.	Z	a	b	c	d	f	h	B	H
[mm]									
AR1925	2	47	32	42,5	28	33	7	25	19
AR1938	3	59	32	55,0	28	45	7	38	19
AR1950	4	70	32	66,0	28	58	7	50	19
AR1977	6	97	32	93,0	28	83	7	77	19
AR19101	8	122	32	113,5	28	108	7	102	19

Z = Number of Displays



AR19_



AR19_

FS19_ Filter Glass

Features

The glass filters are available in red (material: acryl) or clear glass (material: astralon). The size of the filter glass is application-specific to the front frame.

Dimensions

Part Nr.	L	W	D	Fitting
[mm]				
FS1938AC-RT	51	25	1,8	AR1938
FS1950AC-RT	62	25	1,8	AR1950
FS1950KL	62	25	1,0	AR1950
FS1977AC-RT	90	25	1,8	AR1977
FS1977KL	90	25	1,0	AR1977

Note

You will find LED and LCD displays in our green "Semiconductors" catalogue starting at product group W3322.

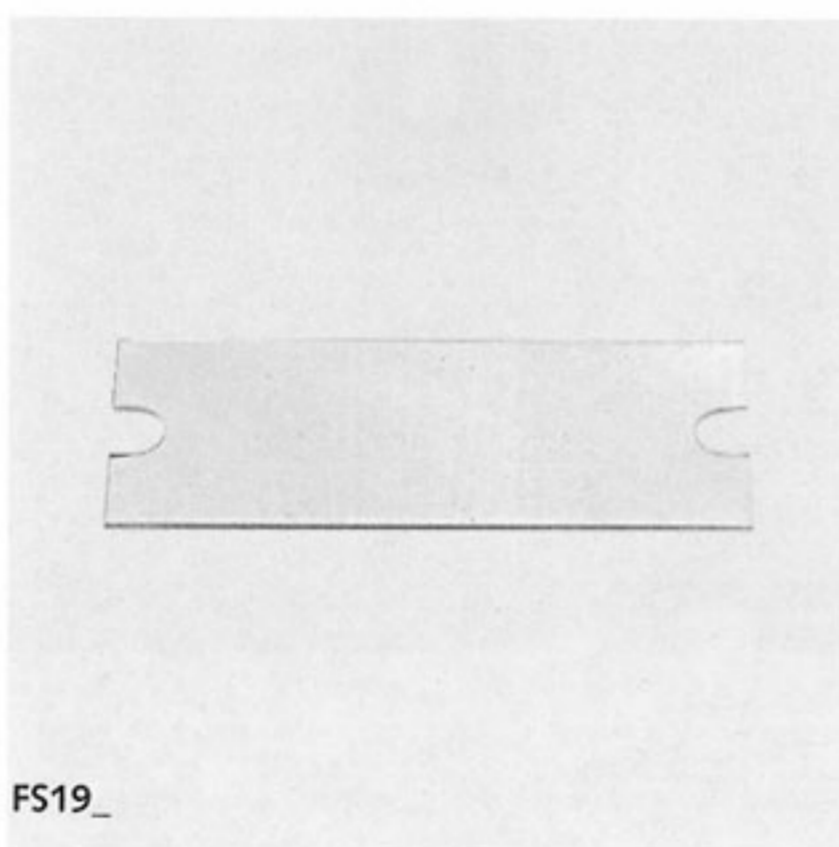
Additional Products

Front frames and glass filters are available in other dimensions, orders of 500 pieces on request, delivery time approx. 4 weeks.

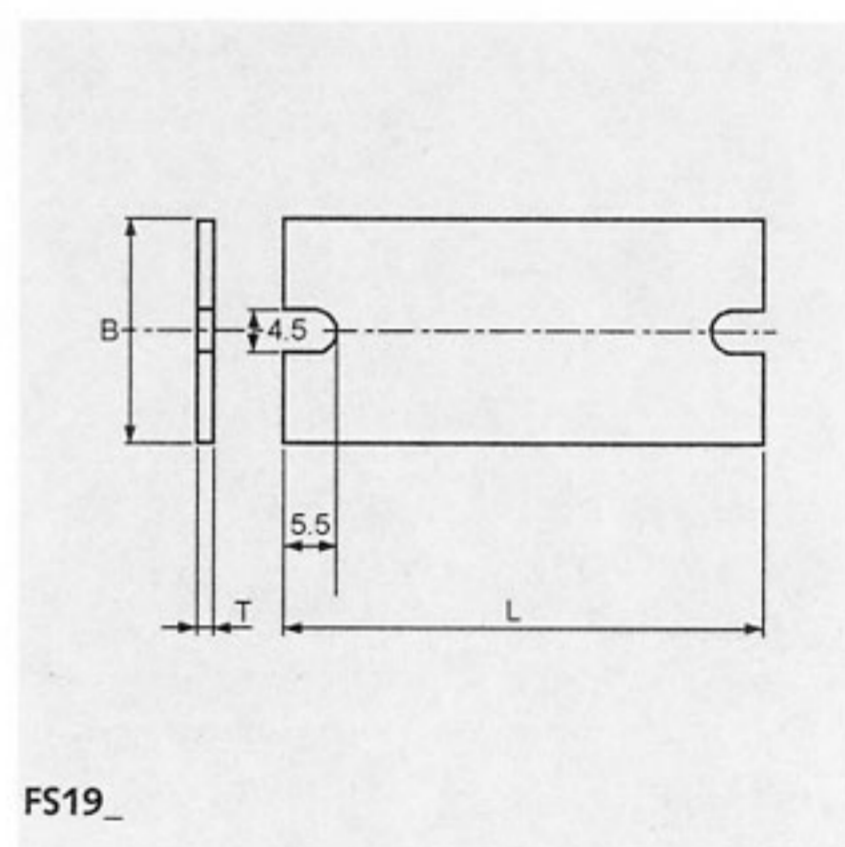
Terms of Delivery

Minimum order quantity: 1 PKU = 5 pieces

Manufacturer: Various



FS19_



FS19_

G7833 = Product group; Product group discount G 78 3_

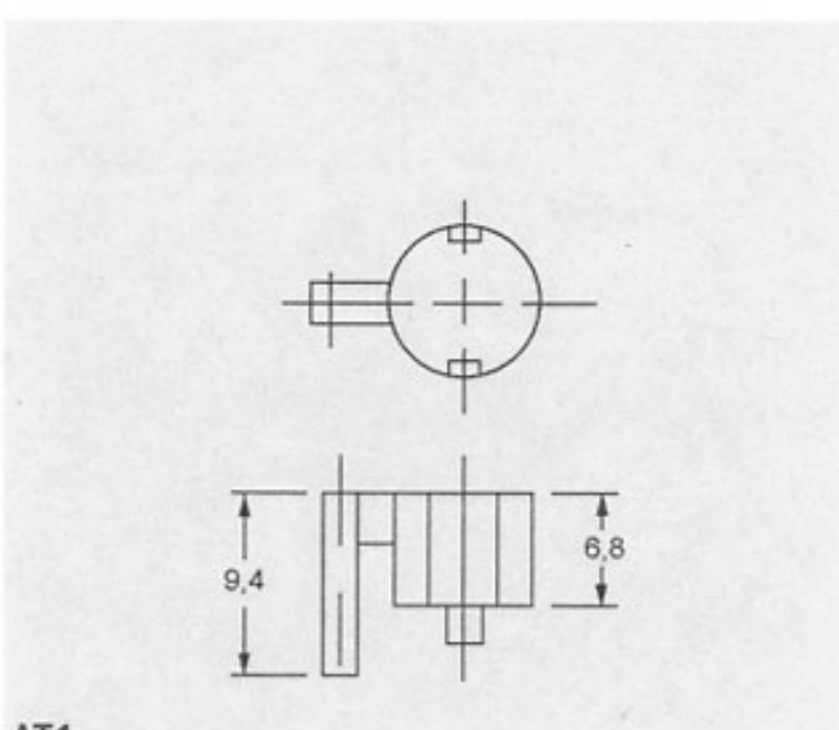
Spacing Pieces for LED/LCD Frames

Part Nr.	Part description
AT1	Spacing Pieces for LED/LCD Frames

Terms of Delivery

Minimum order quantity: 1 PKU = 10 Pairs = 20 pieces

Manufacturer: Various



AT1