

Talema Elektronik GmbH

Sembdnerstr.5, Postfach 2523, 82110, Germering.

Tel : ++49 89 841 00-0,

Fax : ++49 89 841 00 25

Email : info@talema.de



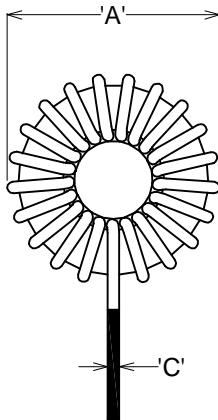
Customer	Schukat	Page : 1 of 1
Product	Suppression Chokes	
Part No	21930 ~ 21933	Date : 27th Oct '14
Customer Part No	D2244 Series	

SCHEMATIC:

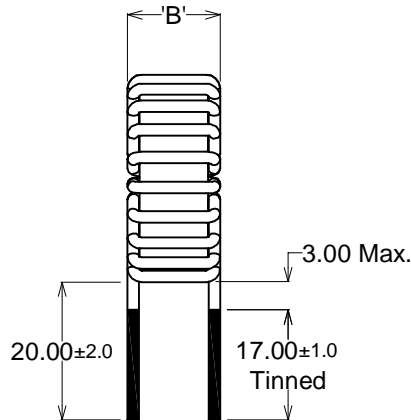


ELECTRICAL & MECHANICAL SPECIFICATIONS:

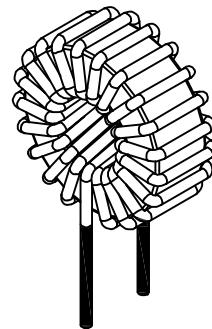
Customer P/N	Talema P/N	Electrical Specifications @25°C			Mechanical Dimensions		
		Rated Current in Amps	Inductance in μH @ 10KHz/100mV (Tolerance: $\pm 10\%$)	DCR in $\text{m}\Omega$ (Typ)	'A' (OD)	'B' (Ht)	'C' (Self lead \varnothing)
SK8M3D	21930	2	47.10	40	15.50	7.50	0.60
SK8M4D	21931	2	80.80	43	17.00	9.00	0.60
SK10M4	21932	3	73.70	30	20.00	9.50	0.80
SK12M5	21933	5	104.00	28	23.00	12.60	1.00



FRONT VIEW



SIDE VIEW



ISOMETRIC VIEW

Unit : mm Dimensions Tolerances : $\pm 0.25\text{mm}$ (Unless specified)



Rev.	Description	Date	Name
3			
2			
1			
0	Initial Release	27.10.2014	M.Sheriff

DRAFT COPY

ISSUE : 1

REV : 0