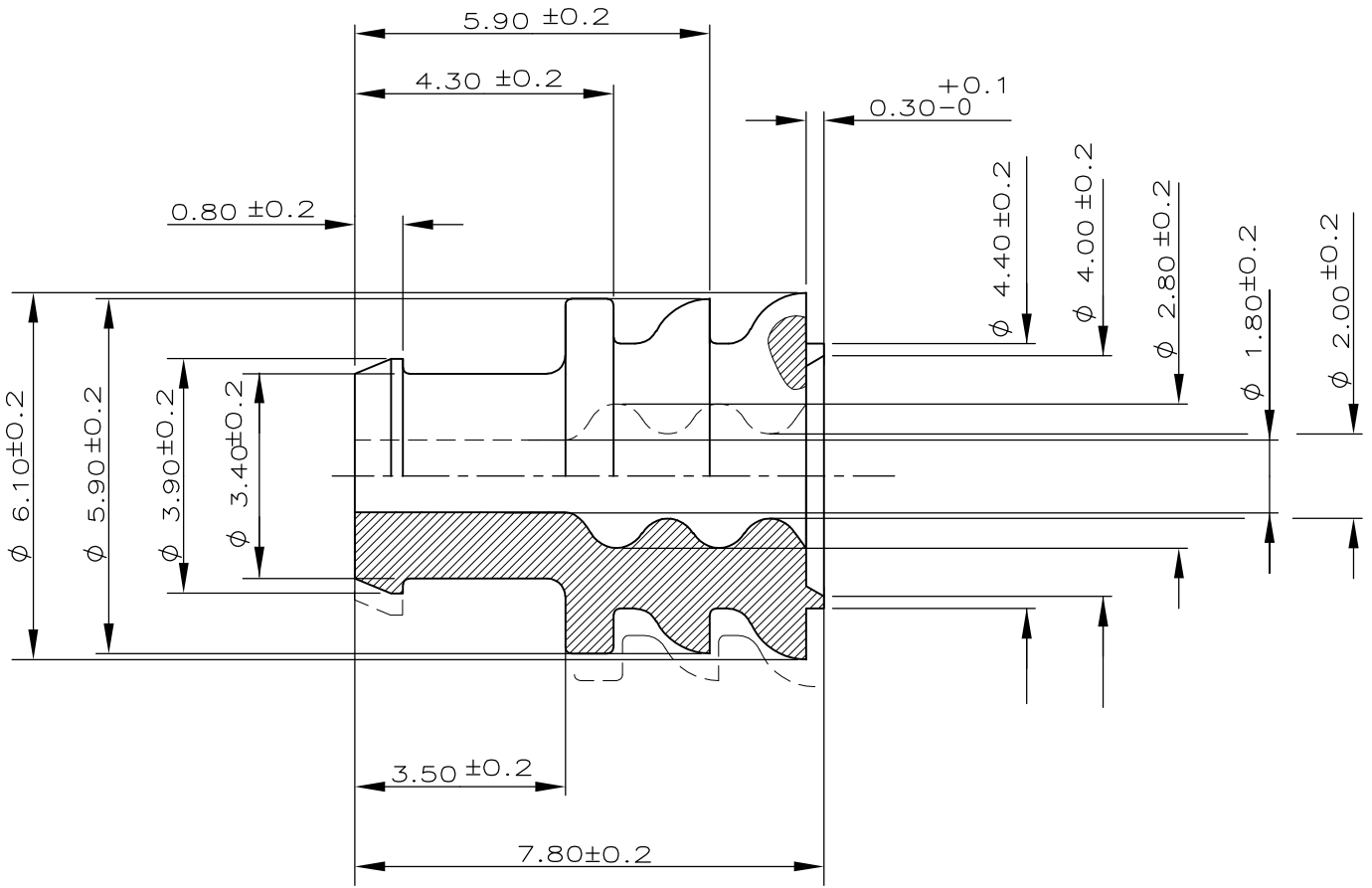


LOC	DIST	REVISIONS					
I	—	P	LTR	DESCRIPTION	DATE	DWN	APVD
			H1	REVISED PER ECO-11-005033	02APR11	RK	HMR



RELEASED FOR PUBLICATION

ALL RIGHTS RESERVED.

THIS DRAWING IS UNPUBLISHED.

By -
COPYRIGHT -

METRIC

DIAM. ISOLANTE
(INS. DIA. RANGE)
2.5-3.3mm

RANGO FILO
(WIRE RANGE)

ROSSO-RED

GOMMA AL SILICONE
SILICONE RUBBER

281934-3

FINITURA / COLORE
(FINISH / COLOUR)

MATERIALE
(MATERIAL)

NUMERO
(PART NUMBER)

CUSTOMER DWG.
FOR REFERENCE ONLY

DISEGNO PER CLIENTE
SOLO PER RIFERIMENTO

DIMENSIONS:
mm

DWN C.BERTINI 10-89

MATERIAL -

FINISH -

CHK A.BRUNI 10-89

APVD -

PRODUCT SPEC -

APPLICATION SPEC -

WEIGHT -

NAME WIRE SEAL

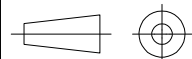
SIZE A4 CAGE CODE 00779 DRAWING NO C-281934 RESTRICTED TO -

CUSTOMER DRAWING SCALE - SHEET 1 OF 3 REV H1

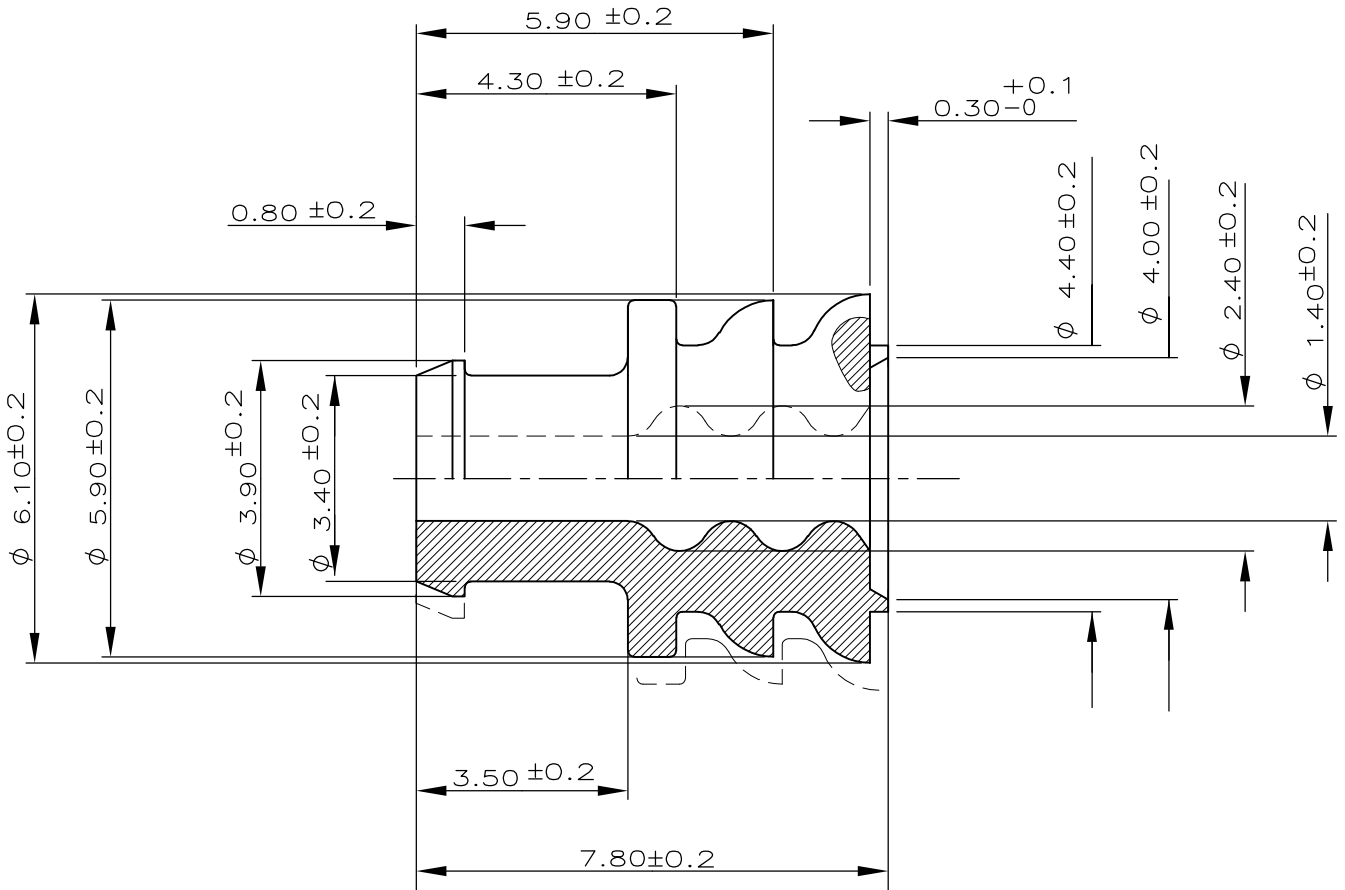


TE Connectivity

- 0 PLC ± -
- 1 PLC ± 0.3
- 2 PLC ± -
- 3 PLC ± -
- 4 PLC ± -
- ANGLES ± 2'



LOC	DIST	REVISIONS					
I	—	P	LTR	DESCRIPTION	DATE	DWN	APVD
				SEE SHEET 1	—	—	—



RELEASED FOR PUBLICATION

ALL RIGHTS RESERVED.

THIS DRAWING IS UNPUBLISHED.

By —
COPYRIGHT —

METRIC

DIAM. ISOLANTE
(INS. DIA. RANGE)
1.7–2.4mm

RANGO FILO
(WIRE RANGE)

GIALLO—YELLOW

GOMMA AL SILICONE
SILICONE RUBBER

281934–2

FINITURA / COLORE
(FINISH / COLOUR)

MATERIALE
(MATERIAL)

NUMERO
(PART NUMBER)

CUSTOMER DWG.
FOR REFERENCE ONLY

DISEGNO PER CLIENTE
SOLO PER RIFERIMENTO

DIMENSIONS:

mm

TOLERANCES UNLESS
OTHERWISE SPECIFIED:

- 0 PLC ± —
- 1 PLC ± 0.3
- 2 PLC ± —
- 3 PLC ± —
- 4 PLC ± —
- ANGLES ± 2°

DWN —

MATERIAL —

FINISH —

CHK —

APVD —

PRODUCT SPEC —

APPLICATION SPEC —

WEIGHT —

NAME

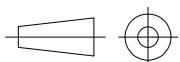
WIRE SEAL

SIZE CAGE CODE DRAWING NO RESTRICTED TO

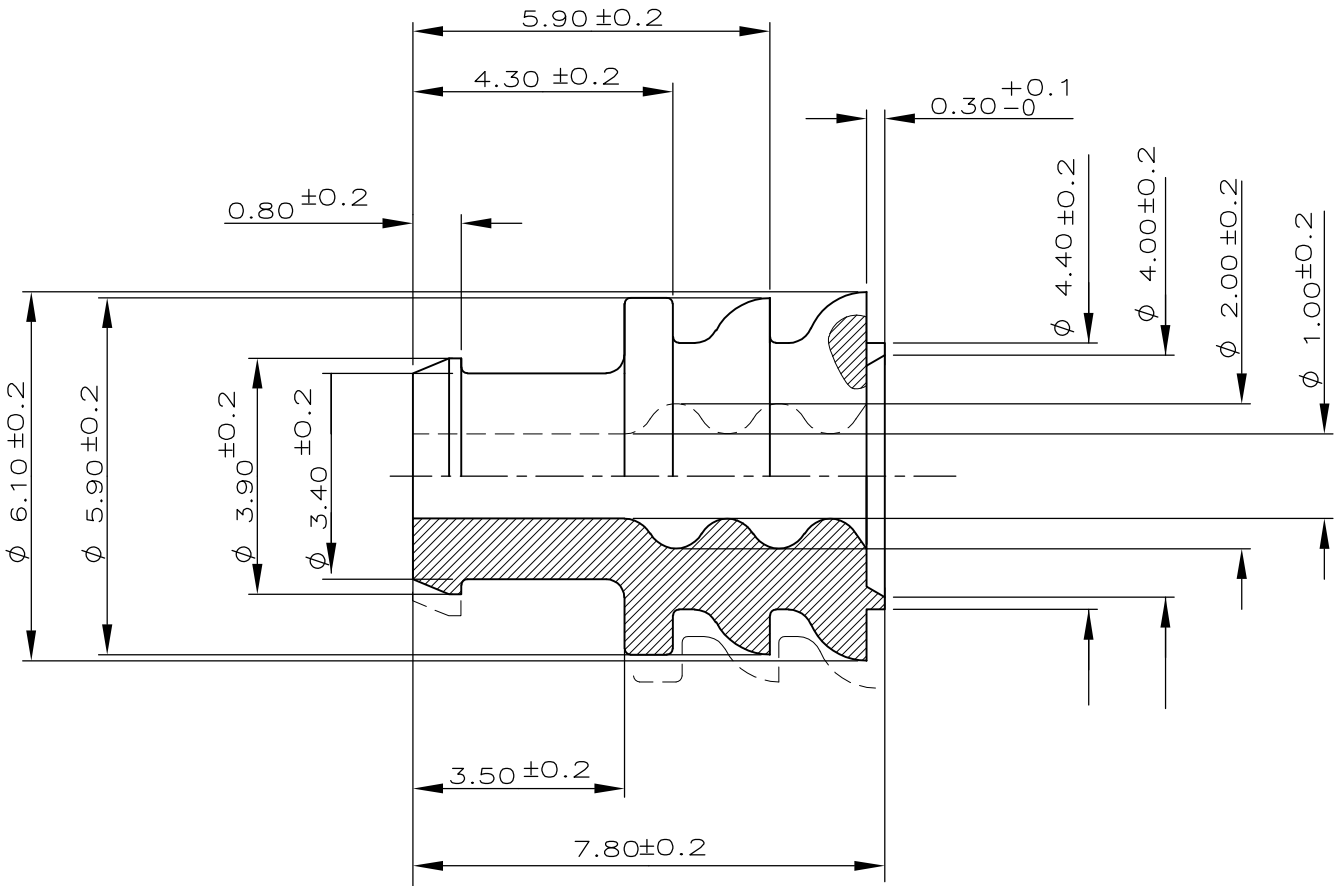
A4 00779 C-281934

CUSTOMER DRAWING

SCALE — SHEET 2 OF 3 REV H1



LOC	DIST	REVISIONS					
I	—	P	LTR	DESCRIPTION	DATE	DWN	APVD
				SEE SHEET 1	—	—	—



RELEASED FOR PUBLICATION

ALL RIGHTS RESERVED.

THIS DRAWING IS UNPUBLISHED.

By —
COPYRIGHT —

METRIC

DIAM. ISOLANTE
(INS. DIA. RANGE)
1.2–1.6mm

RANGO FILO
(WIRE RANGE)

VERDE–GREEN

GOMMA AL SILICONE
SILICONE RUBBER

281934–4

FINITURA / COLORE
(FINISH / COLOUR)

MATERIALE
(MATERIAL)

NUMERO
(PART NUMBER)

CUSTOMER DWG.
FOR REFERENCE ONLY

DISEGNO PER CLIENTE
SOLO PER RIFERIMENTO

DIMENSIONS:

mm

TOLERANCES UNLESS
OTHERWISE SPECIFIED:

- 0 PLC ± —
- 1 PLC ± 0.3
- 2 PLC ± —
- 3 PLC ± —
- 4 PLC ± —
- ANGLES ± 2°

DWN —

MATERIAL —

FINISH —

CHK —

APVD —

PRODUCT SPEC —

APPLICATION SPEC —

WEIGHT —

NAME
WIRE SEAL

SIZE	CAGE CODE	DRAWING NO	RESTRICTED TO
A4	00779	C-281934	—



TE Connectivity

CUSTOMER DRAWING

SCALE — SHEET 3 OF 3 REV H1