

# D-Sub Plastic Backshells / D-Sub Metal Backshells

**F4777** = Product group; Product group discount F 47 7\_

## CONEC D-Sub Plastic Backshells Right Angle Junction, Side Entry Series: CG\_S

### Dimensions

Nr. of Poles	A [mm]	B [mm]	C [mm]	D [mm]	E [mm]	F [mm]	G [mm]	H [mm]
9	30,9	25,0	25,4	12,7	14,3	7,1	-	-
15	39,3	33,3	25,4	12,7	14,3	9,1	-	-
25	53,2	47,0	31,7	12,7	14,3	-	12,5	9,1
37	69,4	63,5	38,1	12,7	14,3	-	17,6	9,1
50	67,1	61,1	38,1	15,5	17,0	-	18,6	11,9

### Terms of Delivery

Minimum order quantity: 1 PKU = 10 pieces  
Delivery contents: Junction shell with two self-tapping metal screws

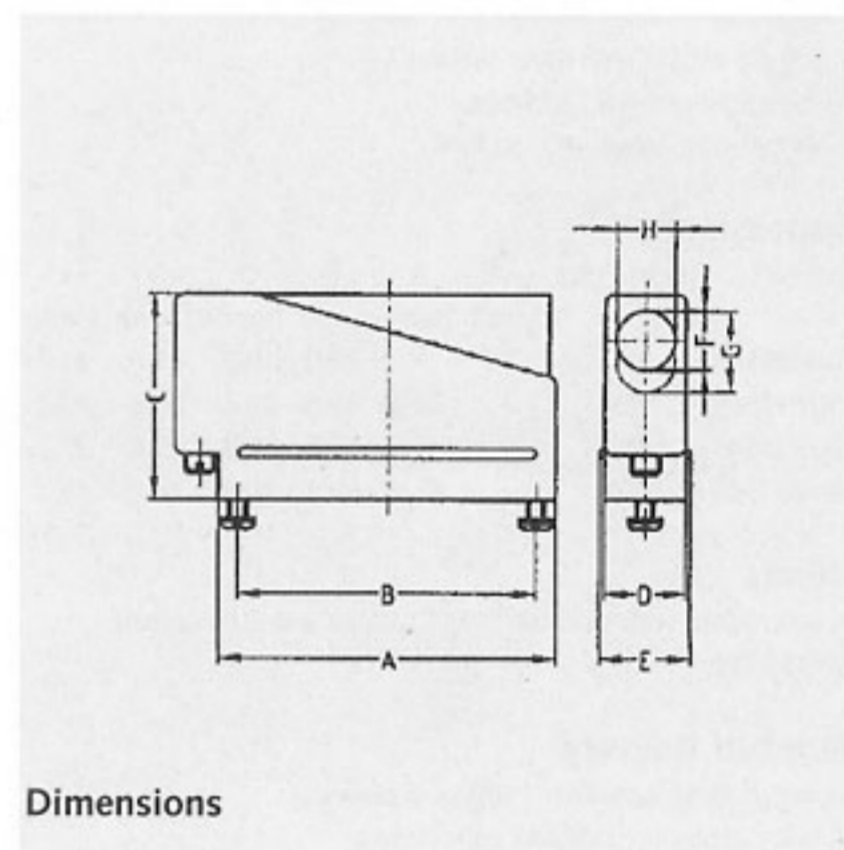
Manufacturer: **CONEC**

<http://www.conec.com>

Part Nr.	Part description
CG9S	D-Sub-Hood 9-Pole Side Entry
CG15S	D-Sub-Hood 15-Pole Side Entry
CG25S	D-Sub-Hood 25-Pole Side Entry
CG37S	D-Sub-Hood 37-Pole Side Entry
CG50S	D-Sub-Hood 50-Pole Side Entry



CG\_S



Dimensions

**F4781** = Product group; Product group discount F 47 8\_

## D-Sub Metal Backshells Straight Cable Exit Series: CVM\_G

### Features

- EMV complete metal hood for D-Sub connectors
- Attenuation better than 40dB at 30MHz to 1GHz
- Zinc die casting with silver surface
- Cable diameter 4,0...13,0mm
- Temperature range -40...+120°C

### Dimensions

Part Nr.	Nr. of Poles	A [mm]	B [mm]	C [mm]
CVM09G	09	32,4	49,8	15,0
CVM15G	15	39,5	49,8	15,0
CVM25G	25	54,8	49,8	15,0
CVM37G	37	70,9	49,8	15,0

### Norms

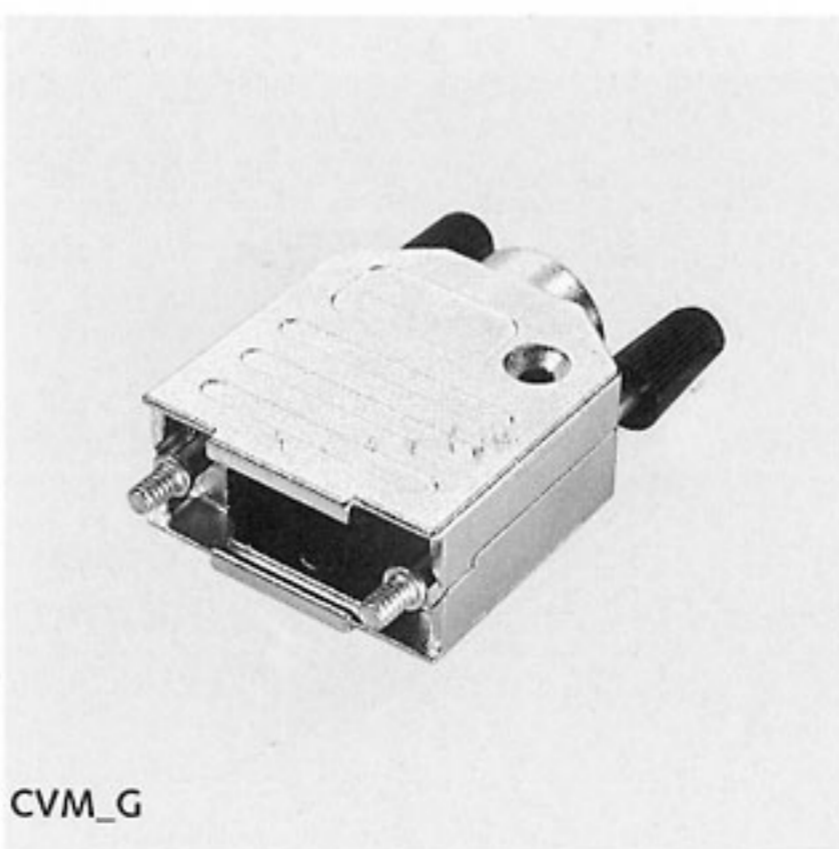
In accordance with VDE 0871, FCC 20780 and EG-Standard 89/336 EEC

### Terms of Delivery

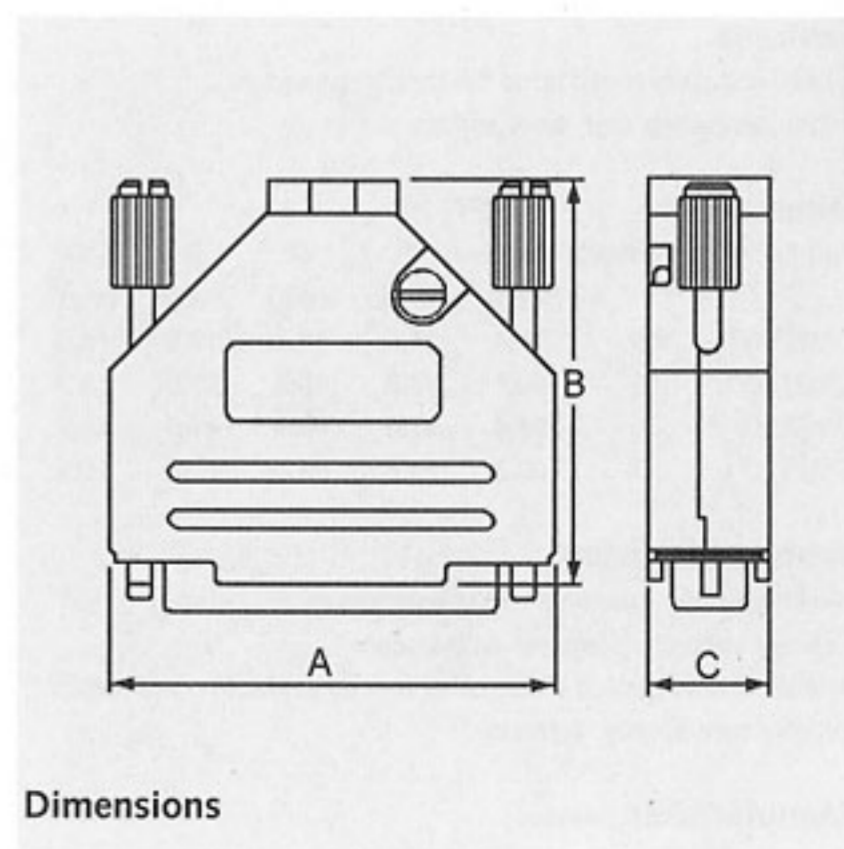
Minimum order quantity: 1 PKU = 5 pieces  
Delivery contents: complete with screws

Manufacturer: Various

Part Nr.	Part description
CVM09G	Metal-D-Sub-Hood 9-Pole
CVM15G	Metal-D-Sub-Hood 15-Pole
CVM25G	Metal-D-Sub-Hood 25-Pole
CVM37G	Metal-D-Sub-Hood 37-Pole



CVM\_G



Dimensions