

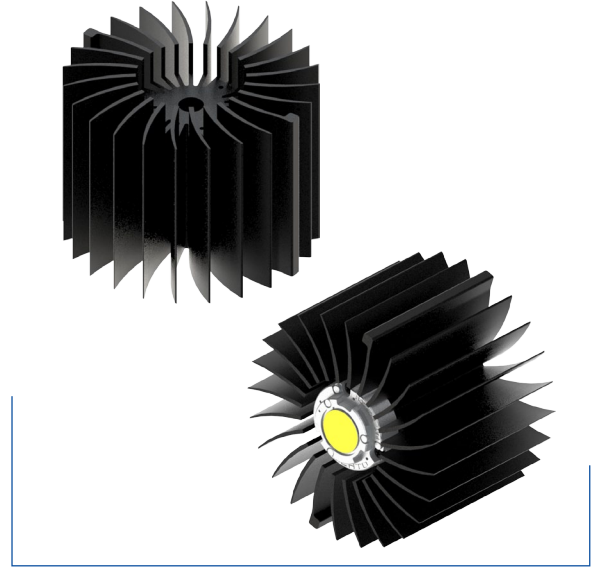
# MechaTronix in LED

## XSA-54 Xicato XSM LED Star Heat Sink $\phi$ 120mm



### Features & Benefits

- Designed for Xicato XSM series - thermal class Q
- Xicato accessory reference XSA-54  
M2/M3 mounting screws are supported
- Thermal resistance Rth 1.0°C/W
- Diameter 120mm base - Standard height 87mm  
other heights on request
- Extruded from highly conductive aluminium
- Standard colors - clear anodised - black anodised  
Other colors and finishings on request  
( all RAL/Pantone colors available )



### Order Information

# XICATO

Example : XSA-54-M2-B-13

XSA-54 - **1** - **2** - **3**

- 1** XSM Mounting  
"M2" - M2 screw threads  
"M3" - M3 screw threads
- 2** Anodising color  
"B" - Black Anodised  
"C" - Clear Anodised  
"Z" - Custom ( specify )
- 3** Mounting Options - see graphics for details  
Combinations available  
Ex. order code - 13  
means option 1 and 3 combined

MOUNTING OPTION	THREAD	THREAD DEPTH
NONE/BLANC	NONE	NONE
1	M3 x 0.5	5mm MIN.
2	#6-32 UNC	0.2" MIN.
3	M3 x 0.5	5mm MIN.
4	#6-32 UNC	0.2" MIN.
5	M3 x 0.5	5mm MIN.

# MechaTronix in LED

## XSA-54 Xicato XSM LED Star Heat Sink $\phi$ 120mm



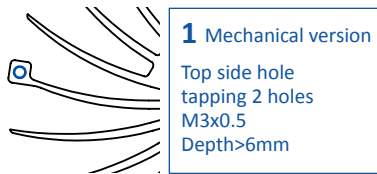
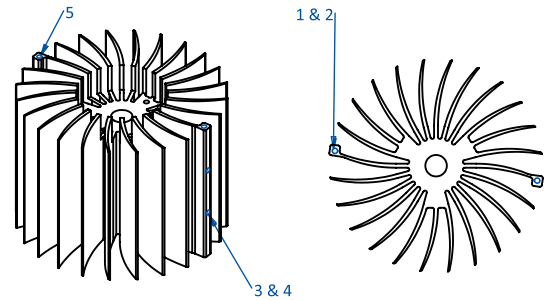
### Product Details

	Total Height <sup>mm</sup>	Volume <sup>mm<sup>3</sup></sup>	Cooling Surface <sup>mm<sup>2</sup></sup>	Weight <sup>g<sup>r</sup></sup>
XSA-54	87	217487.51	187379.99	587.22

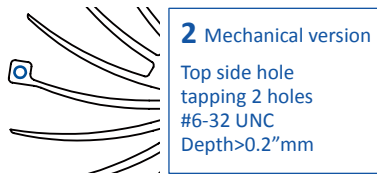
### Mounting Options

#### Notes:

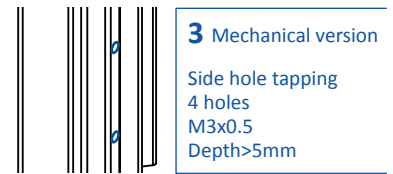
- MechaTronix reserves the right to change products or specifications without prior notice.
- Mentioned models are an extraction of the full product range. For specific mechanical adaptations please contact MechaTronix.
- All these types are made by extrusion process from highly conductive aluminum type AL6063 T5 with a typical Thermal Conductivity of 209W/m-K.



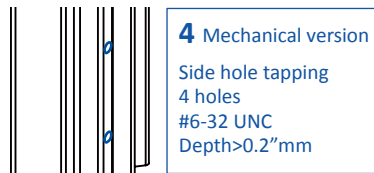
**1 Mechanical version**  
Top side hole tapping 2 holes  
M3x0.5  
Depth>6mm



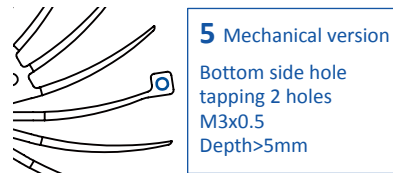
**2 Mechanical version**  
Top side hole tapping 2 holes  
#6-32 UNC  
Depth>0.2"mm



**3 Mechanical version**  
Side hole tapping 4 holes  
M3x0.5  
Depth>5mm



**4 Mechanical version**  
Side hole tapping 4 holes  
#6-32 UNC  
Depth>0.2"mm



**5 Mechanical version**  
Bottom side hole tapping 2 holes  
M3x0.5  
Depth>5mm

### Drawings & Dimensions

#### Example : XSA-54-M2

