

# SMD Light-Emitting Diodes

**W2535** = Product group; Product group discount W 25 3\_

## LITEON SMD Light-Emitting Diodes

Water-clear and White Diffuse Series: LTST-C150\_, LTW-150\_ Case: 1206

### Technical Specifications

LTST-/LTW-	Colour	WL [nm]	VA [°]	LI [mcd]	@I <sub>F</sub> [mA]	U <sub>F</sub> [V]
C150CKT	Red	660	130	20	10	1,8
C150KRKT	Red	639	130	80	20	2,0
C150KFKT	Orange	611	130	60	20	2,0
C150KSKT	Yellow	588	130	60	20	2,0
C150YKT	Yellow	585	130	6	10	2,1
C150KGKT	Green	574	130	35	20	2,0
C150GKT	Green	565	130	6	10	2,1
C150TGKT	Green	525	130	120	20	3,4
C150TBKT	Blue	468	130	30	20	3,4
150TK	White	-	130	260	20	3,2

WL = Peak Emission Wavelength, VA = Viewing Angle, LI = Typ. Luminous Intensity, I<sub>F</sub> = Forward Current, U<sub>F</sub> = Forward Voltage

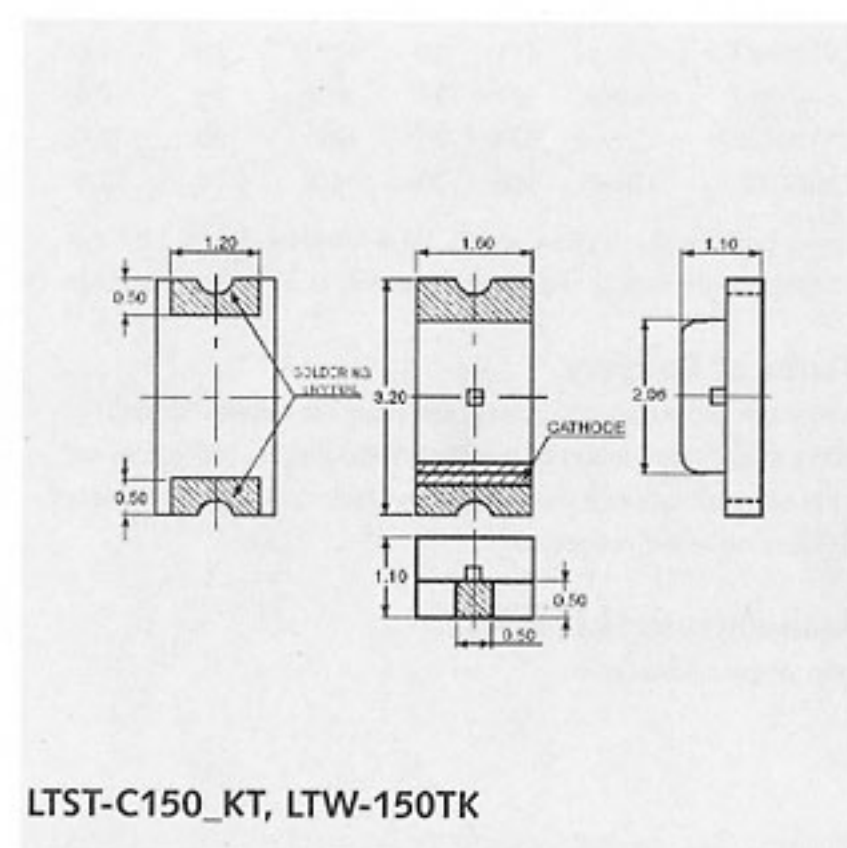
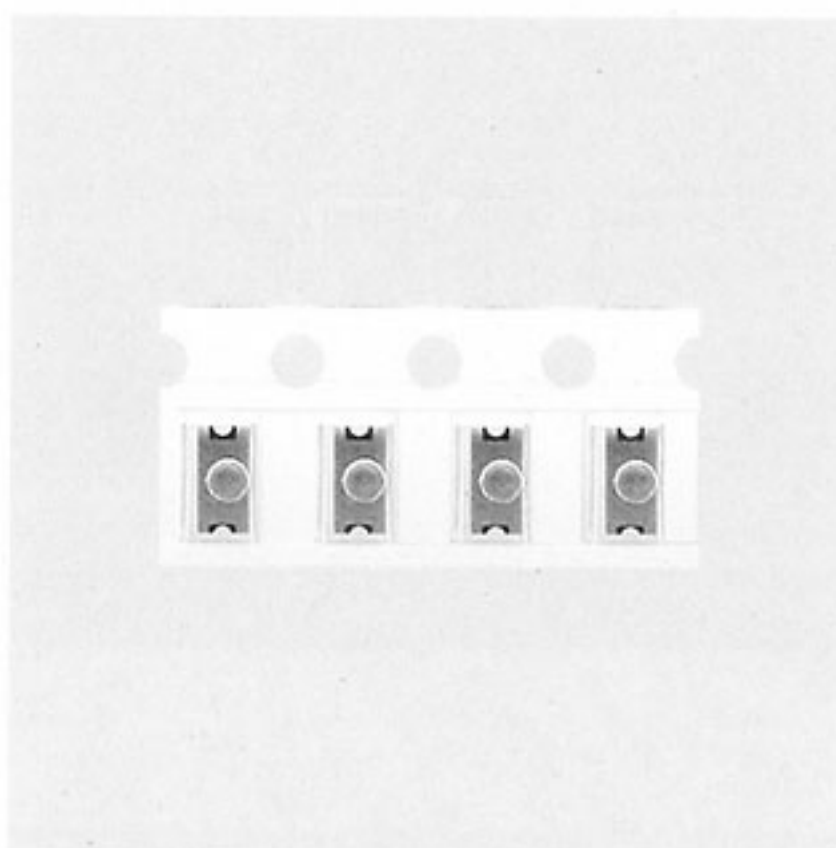
### Terms of Delivery

Minimum order quantity: please see price list column "MOQ".  
Form of delivery: orders of less than 3000 pieces: 100 resp. 25 pieces on tape segment without leader tape and reel; orders of 3000 pieces: delivery on reel if requested.

Manufacturer: **LITEON**

<http://www.liteon.com>

Part Nr.	Part description
LTST-C150CKT	SMD-LED Red 20mcd 130° 1206
LTST-C150KRKT	SMD-LED Red 80mcd 130° 1206
LTST-C150KFKT	SMD-LED Orange 60mcd 130° 1206
LTST-C150KSKT	SMD-LED Yellow 60mcd 130° 1206
LTST-C150YKT	SMD-LED Yellow 6mcd 130° 1206
LTST-C150KGKT	SMD-LED Green 35mcd 130° 1206
LTST-C150GKT	SMD-LED Green 6mcd 130° 1206
LTST-C150TGKT	SMD-LED Green 120mcd 130° 1206
LTST-C150TBKT	SMD-LED Blue 30mcd 130° 1206
LTW-150TK	SMD-LED White 260mcd 130° 1206



LTST-C150\_KT, LTW-150TK

**W2625** = Product group; Product group discount W 26 2\_

## EVERLIGHT SMD Light-Emitting Diodes

Water-clear Dome Lens Series: EL42-21\_ Case: 1209

### Technical Specifications

EL42-	Colour	WL [nm]	VA [°]	LI [mcd]	@I <sub>F</sub> [mA]	U <sub>F</sub> [V]
21SURC/S53	Red	632	30	417	20	2,0
21UYC/S53	Yellow	591	30	429	20	2,0
21SYGC/S53	Green	575	30	342	20	2,0
21A/BHC-ZV1	Blue	468	30	715*	20	3,75*

WL = Peak Emission Wavelength, VA = Viewing Angle, LI = Typ. Luminous Intensity (\* Min.), I<sub>F</sub> = Forward Current, U<sub>F</sub> = Forward Voltage (\* Max.)

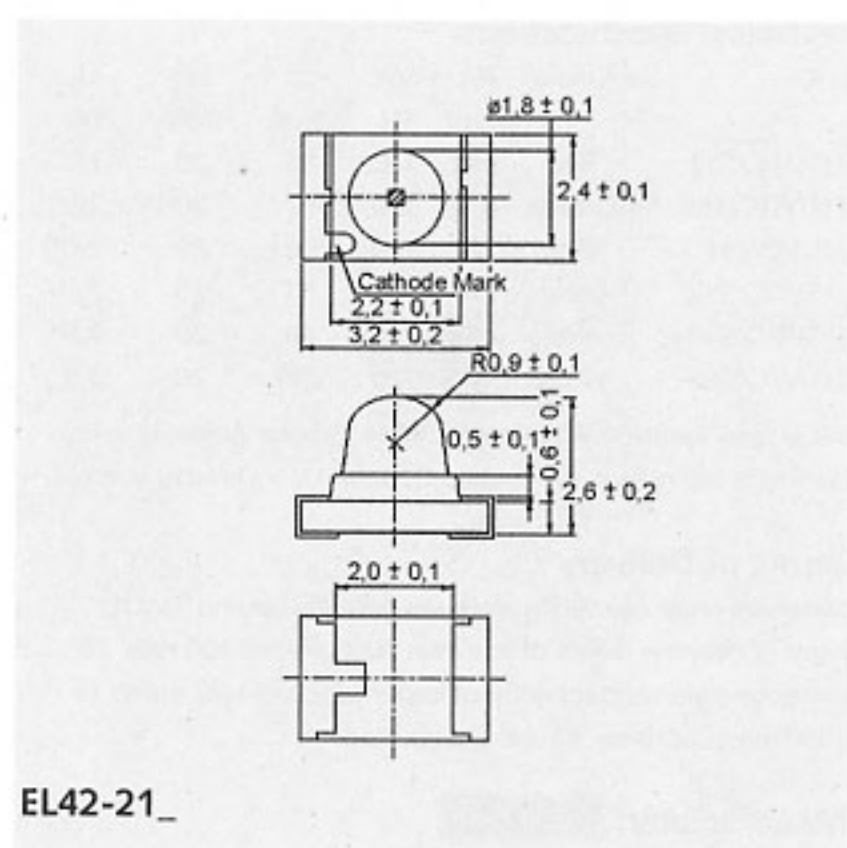
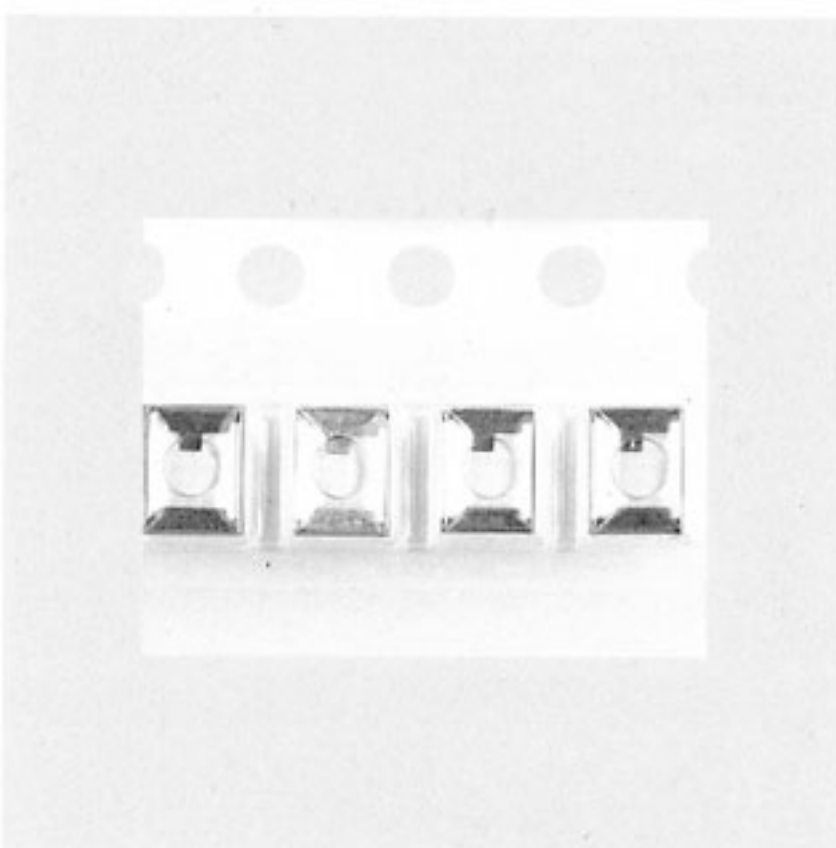
### Terms of Delivery

Minimum order quantity: please see price list column "MOQ".  
Form of delivery: orders of less than 1000 pieces: 100 resp. 25 pieces on tape segment without leader tape and reel; orders of 1000 pieces: delivery on reel if requested.

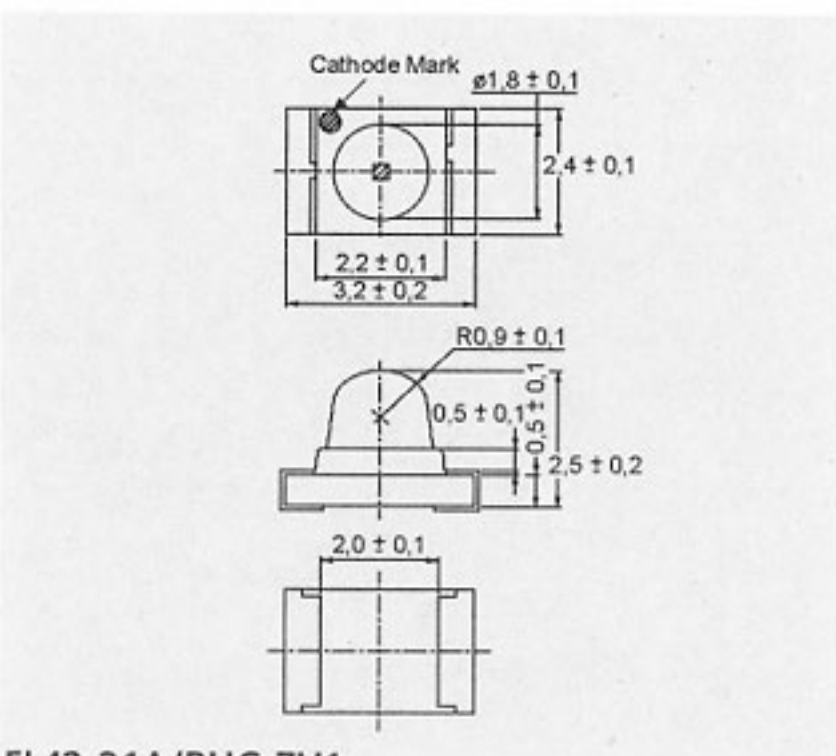
Manufacturer: **EVERLIGHT**

<http://www.everlight.com>

Part Nr.	Part description
EL42-21SURC/S53	SMD-LED Lens Red 417mcd 30° 1209
EL42-21UYC/S53	SMD-LED Lens Yellow 429mcd 30° 1209
EL42-21SYGC/S53	SMD-LED Lens Green 342mcd 30° 1209
EL42-21A/BHC-ZV1	SMD-LED Lens Blue 715mcd 30° 1209



EL42-21\_



EL42-21A/BHC-ZV1