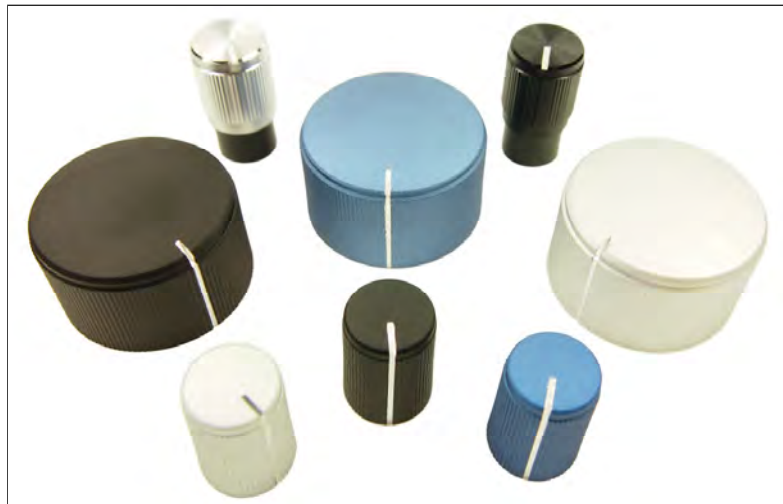


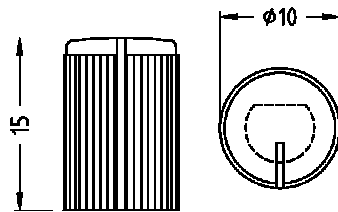
CLIFF

KNURLED ALUMINIUM SHELL KNOBS - KMK SERIES



Knobs for professional equipment - comprising machined aluminium shell on moulded plastic inner. Push on fixing. Max shaft depth 11mm.

KMK10



KMK10

6mm Splined shaft

FC7248 - Silver Anodised

FC7249 - Black Anodised

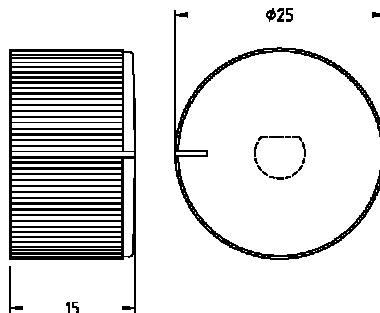
6mm USA 'D' shaft

FC7250 - Silver Anodised

FC7251 - Black Anodised

Other anodised colours available.

KMK25



KMK25

6mm Splined shaft

FC7252 - Silver Anodised

FC7253 - Black Anodised

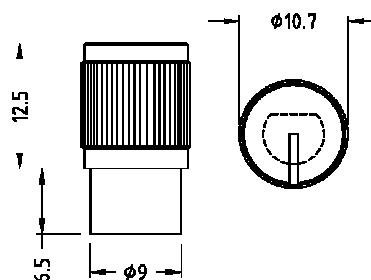
6mm USA 'D' shaft

FC7254 - Silver Anodised

FC7255 - Black Anodised

Other anodised colours available.

KMK10E



KMK10E

6mm Splined shaft

FC7256 - Silver Anodised

FC7257 - Black Anodised

6mm USA 'D' shaft

FC7258 - Silver Anodised

FC7259 - Black Anodised

Other anodised colours available.

Drawings available on request. Contact sales@cliffuk.co.uk