



CombiNorm-Classic

This DIN rail offers maximum mounting space

- 5 sizes
- Matching connection terminals as accessories
- DIN rail holder, also for use as wall fitting
- Terminal approvals acc. to UL 1059, CSA 22.2 no. 158 and EN 60998
- Comprehensive range of accessories

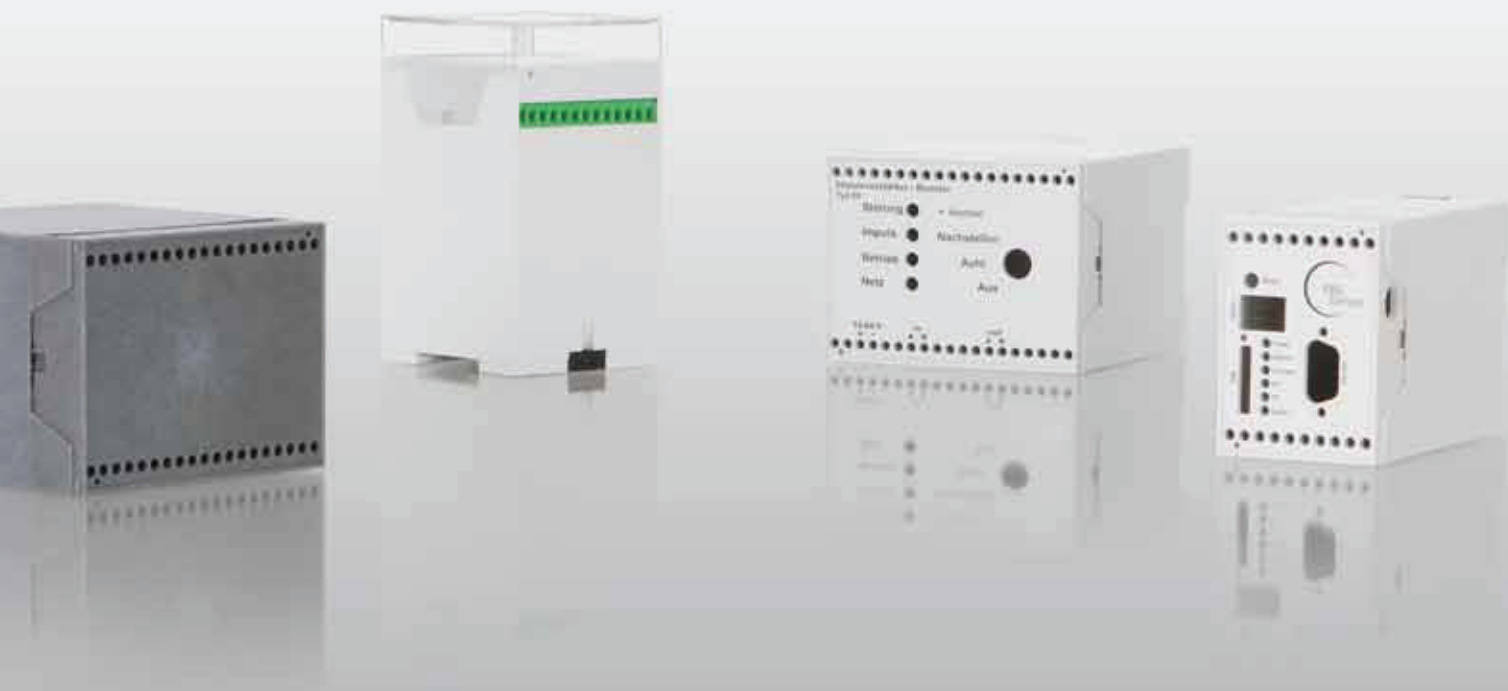


Colour	Light grey, similar to RAL 7035; special colours on request
Protection class	Up to IP 40/DIN EN 60529, terminals IP 20/DIN EN 60529
Enclosure material	ABS; UL 94 V0 material on request; for details see Technical Information

The enclosures can be latched onto the 35 mm rail in accordance with DIN EN 60715 TH 35. The hinged latching hoods CNH..N or CNH..H can be opened upwards or downwards or removed completely, as required. If necessary, they can also be sealed. When sealed, the hood also conceals the screws of the connection terminals (not STL 950/ V). The CNS types have a side-mounted flap for adjustment of devices during operation. To comply with CSA and other regulations, on request we can supply the enclosures in high-temperature and flame-resistant material (UL 94 V0). All the terminals listed below are UL (UL 1059), CUL (CSA 22.2 no.158), VDE (EN 60998) approved.

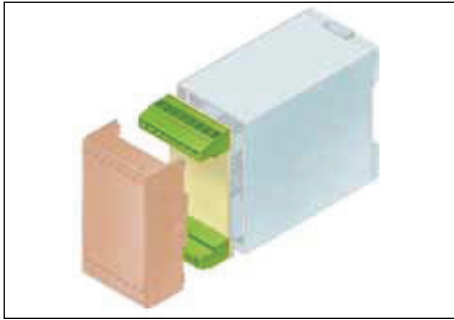
Model	Maximum insertion with terminals
CN(S) 22 AK	2 x 4-pole
CN(S) 45 AK	2 x 8-pole
CN(S) 55 AK	2 x 10-pole
CN(S) 70 AK	2 x 13-pole
CN(S) 100 AK	2 x 19-pole

Any terminal positions which are not needed can be closed with blind plates CNB 100.

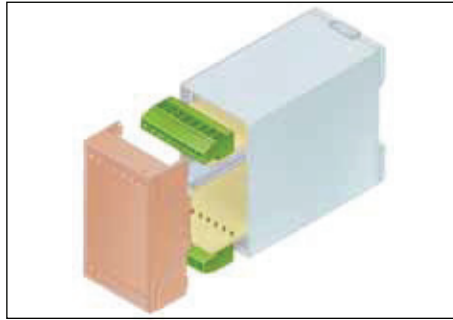




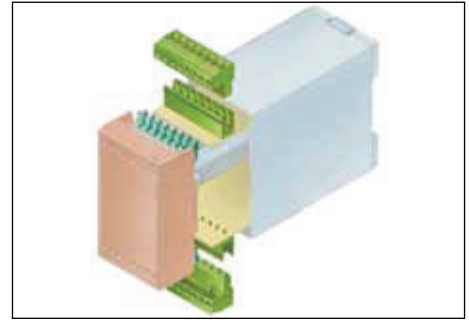
Terminal types



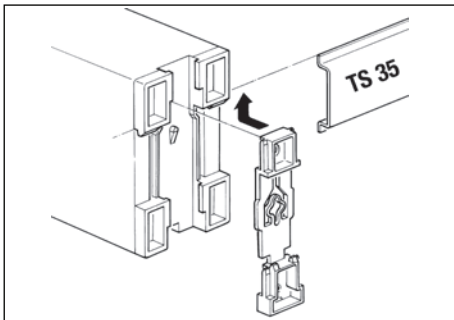
AK 700 V: This terminal is specially designed for a circuit board which is fitted to the base and parallel to the front lid. This makes it possible to fit front operating elements at the same time. IP 20 protection.



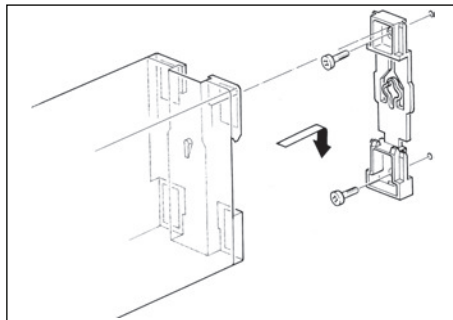
AK 700 H: This terminal is designed for use with vertically inserted circuit boards. It creates a 9 mm clearance to the outside, so circuit boards can be fitted with components on both sides.



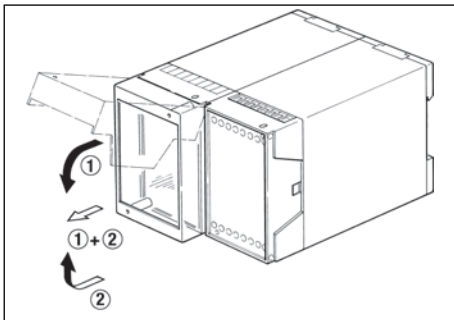
STL 950 / AK 950: This terminal consists of two parts. The STL 950 connector strip is soldered to the vertically-insertable circuit board. The AK 950 terminal slots into the connector strip, so faulty units can be replaced quickly. The STL adapter CNA 100 must be fitted to support the circuit board.



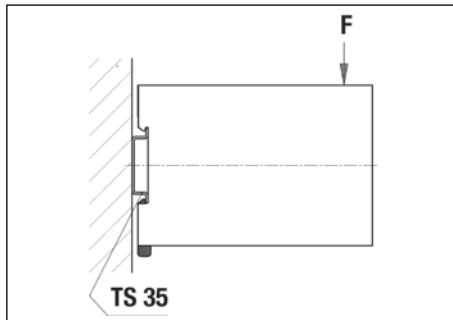
Fitting for rail fixing (factory-fitted)



Mounting for direct wall fitting



Hood activation



Load capacity, F = static load max. 40 N

CombiNorm-Classic

for DIN rail acc. to DIN EN 60715 TH 35

Enclosure

Model	Order no.	A	B	C	a1
CN 22 AK	65002210	22,5	75	109,5	18,7
CN 45 AK	65004510	45	75	109,5	41,2
CN 55 AK	65005510	55	75	109,5	51,2
CN 70 AK	65007010	70	75	109,5	66,2
CN 100 AK	65010010	100	75	109,5	96,2

Scope of delivery: Lid, base with latch (mounted)

Note: See following pages for accessories.

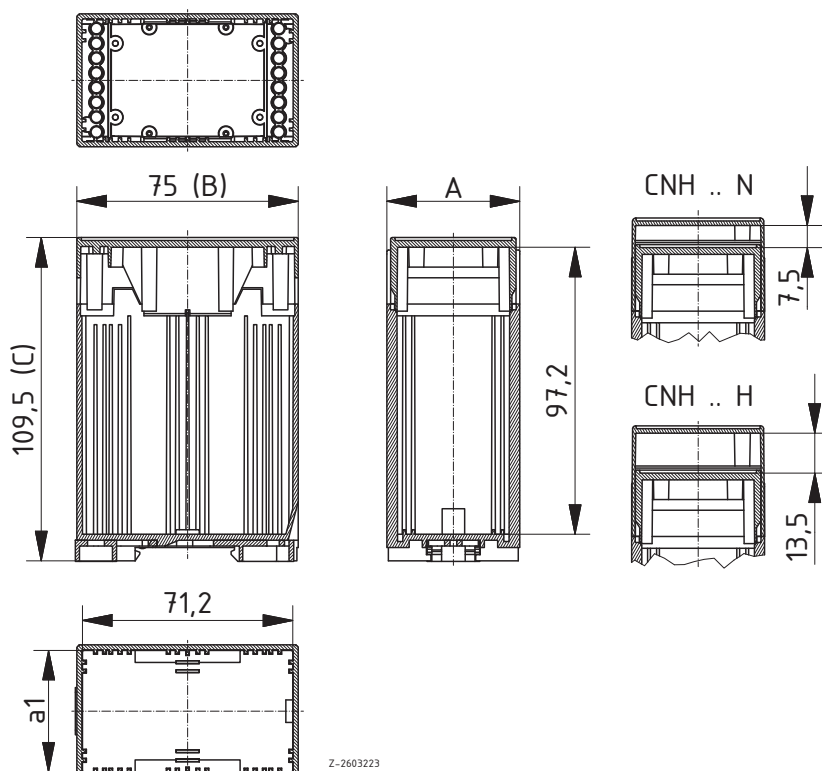


Enclosure with adjusting flap

Model	Order no.	A	B	C	a1
CNS 22 AK	65002230	22,5	75	109,5	18,7
CNS 45 AK	65004530	45	75	109,5	41,2
CNS 55 AK	65005530	55	75	109,5	51,2
CNS 70 AK	65007030	70	75	109,5	66,2
CNS 100 AK	65010030	100	75	109,5	96,2

Scope of delivery: Lid, base with latch (mounted), adjusting flap

Note: See following pages for accessories.

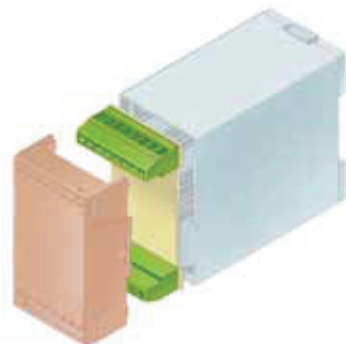


Z-2603223

CombiNorm-Classic

connection terminals

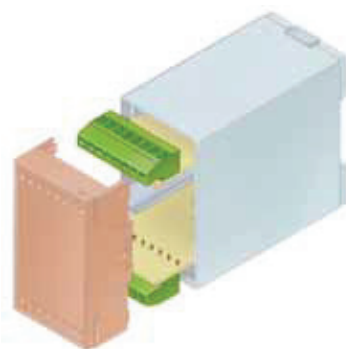
Connection terminals for circuit boards which are parallel to the front side



Model	Order no.	Colour	Note
AK 700/2V	66002000	Green	2-pole
AK 700/3V	66003000	Green	3-pole
AK 700/4V	66004000	Green	4-pole
AK 700/8V	66008000	Green	8-pole
AK 700/10V	66010000	Green	10-pole
AK 700/13V	66013000	Green	13-pole
AK 700/19V	66019000	Green	19-pole

Scope of delivery: 1 connection terminal

Connector strip for vertically-inserted circuit boards



Model	Order no.	Colour	Note
AK 700/2H	66004110	Green	2-pole
AK 700/3H	66003100	Green	3-pole
AK 700/4H	66004100	Green	4-pole
AK 700/8H	66008100	Green	8-pole
AK 700/10H	66010100	Green	10-pole
AK 700/13H	66013100	Green	13-pole
AK 700/19H	66019100	Green	19-pole

Scope of delivery: 1 connection terminal

Ratings acc. to EN 60998 for AK 700/..V and AK 700/..H

Rated voltage	250 V
Rated current	24 A (T60)
Conductor cross-section	2.5 mm ²
Test voltage	2.0 kV
Torque / screw size	0.5 Nm/M3

Maximum conductor cross-section

Single-wire (rigid)	4.0 mm ²
Fine-strand (flexible)	2.5 mm ²

Materials

Insulating material	PA
Inflammability class	UL 94 V0
Temperature range	-30°C / + 105°C
Terminal clamp	CuZn
Soldering tag	Cu

Dimensions

Grid	5.0 mm
Drill hole diameter	1.3 mm
Wire stripping length	8.0 mm

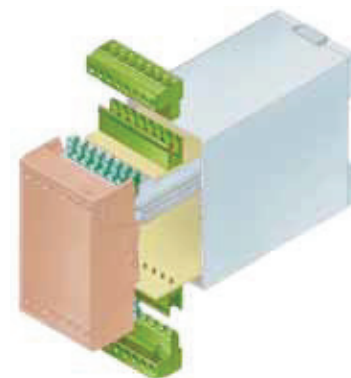
CombiNorm-Classic

connection terminals

Connection terminal for STL 950

Model	Order no.	Colour	Note
AK 950/4	66004600	Green	4-pole
AK 950/8	66008600	Green	8-pole
AK 950/10	66010600	Green	10-pole
AK 950/13	66013600	Green	13-pole
AK 950/19	66019600	Green	19-pole

Scope of delivery: 1 connection terminal



Connector strip for soldering onto vertically-inserted circuit boards

Model	Order no.	Note
STL 950/4V	66004500	4-pole
STL 950/8V	66008500	8-pole
STL 950/10V	66010500	10-pole
STL 950/13V	66013500	13-pole
STL 950/19V	66019500	19-pole

Scope of delivery: 1 connector strip

Ratings acc. to EN 60998

Rated voltage	250 V
Rated current	24 A (T60)
Conductor cross-section	2.5 mm ²
Test voltage	2.0 kV
Torque / screw size	0.5 Nm/M3

Maximum conductor cross-section

Single-wire (rigid)	4.0 mm ²
Fine-strand (flexible)	2.5 mm ²

Materials

Insulating material	PA
Inflammability class	UL 94 V0
Temperature range	-30°C / + 105°C
Terminal clamp	CuZn
Soldering tag	Cu

Dimensions

Grid	5.0 mm
Drill hole diameter	1.3 mm
Wire stripping length	8.0 mm

Note: For STL 950 insertion, STL adapter CNA 100 must be mounted to support the PCB.
Connector strip STL 950 and connection terminal AK 950 can only be used together.

CombiNorm-Classic accessories



Hinged hood, crystal-clear, 9 mm high

Model	Order no.	Note
CNH 22 N	65002260	For CN(S) 22 AK
CNH 45 N	65004560	For CN(S) 45 AK
CNH 55 N	65005560	For CN(S) 55 AK
CNH 70 N	65007060	For CN(S) 70 AK
CNH 100 N	65010060	For CN(S) 100 AK

Scope of delivery: 1 hood



Hinged hood, crystal-clear, 15 mm high

Model	Order no.	Note
CNH 22 H	65002250	For CN(S) 22 AK
CNH 45 H	65004550	For CN(S) 45 AK
CNH 55 H	65005550	For CN(S) 55 AK
CNH 70 H	65007050	For CN(S) 70 AK
CNH 100 H	65010050	For CN(S) 100 AK

Scope of delivery: 1 hood

CombiNorm-Classic accessories

Blind plate for covering unused terminal locations, 19 parts, can be broken off

Model	Order no.
CNB 100	65010070

Scope of delivery: 2 pieces



Adapter plate for fitting circuit boards and closing the screw openings with the use of STL 950, 20 parts, can be broken off

Model	Order no.
CNA 100	65010100

Scope of delivery: 2 pieces



Terminal identification strip, self-adhesive

Model	Order no.
AK-BS	66000100

Scope of delivery: Terminal identification strip AK-BS

