

Electronic Solid State Relays / Accessories

X8728 = Product group; Product group discount X 87 2_

COMUS Electronic Reversing Contactor for Alternating Voltage

Thyristor Output
Series: WGA0_
Case: Hockey-Puck

Technical Specifications

- Isolation voltage 4kV
- Operating temperature range -20...+80°C

WGA0_	U_{Contr} [V DC]	U_{Load} [V AC]	U_{DRM} [V Peak]	I_T [A]	I_{TSM} [A]
12D45	3...32	48...480	1200	45	500

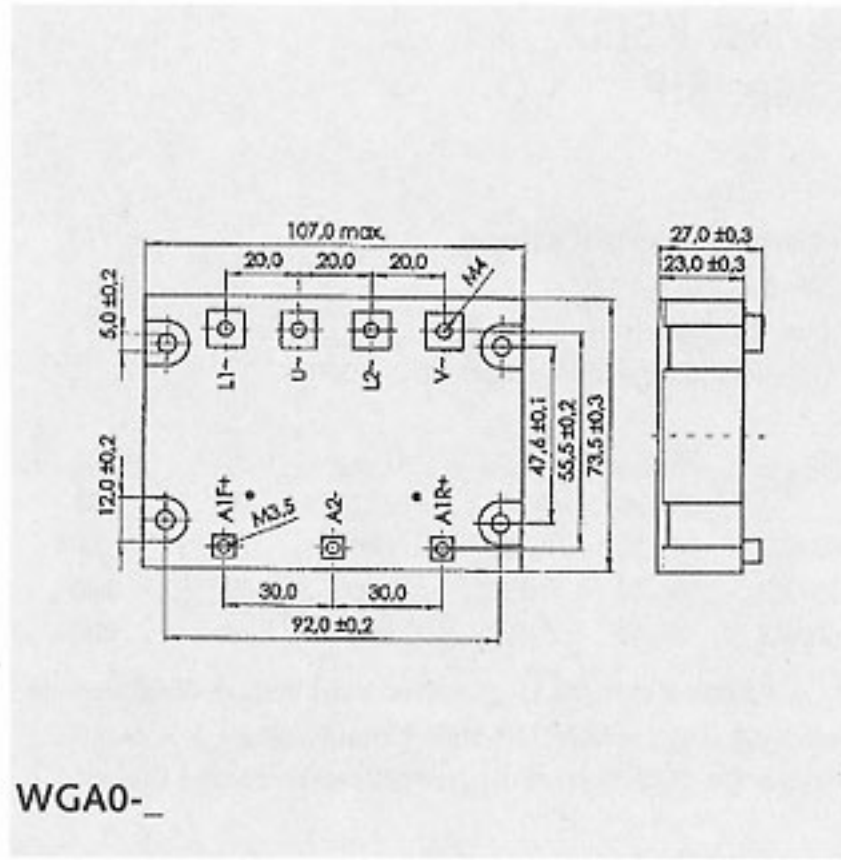
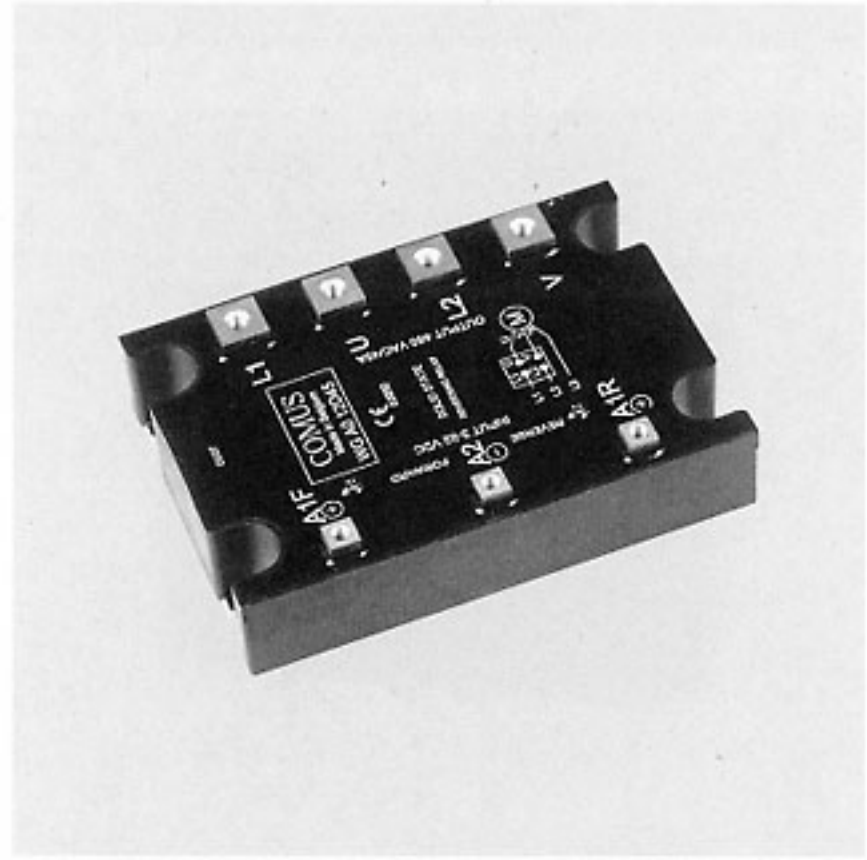
U_{Contr} = Control Voltage, U_{Load} = Load Voltage, U_{DRM} = Max. Off-State Output Voltage, I_T = Max. Effective On-State Current, I_{TSM} = Peak Forward Surge Current

Terms of Delivery

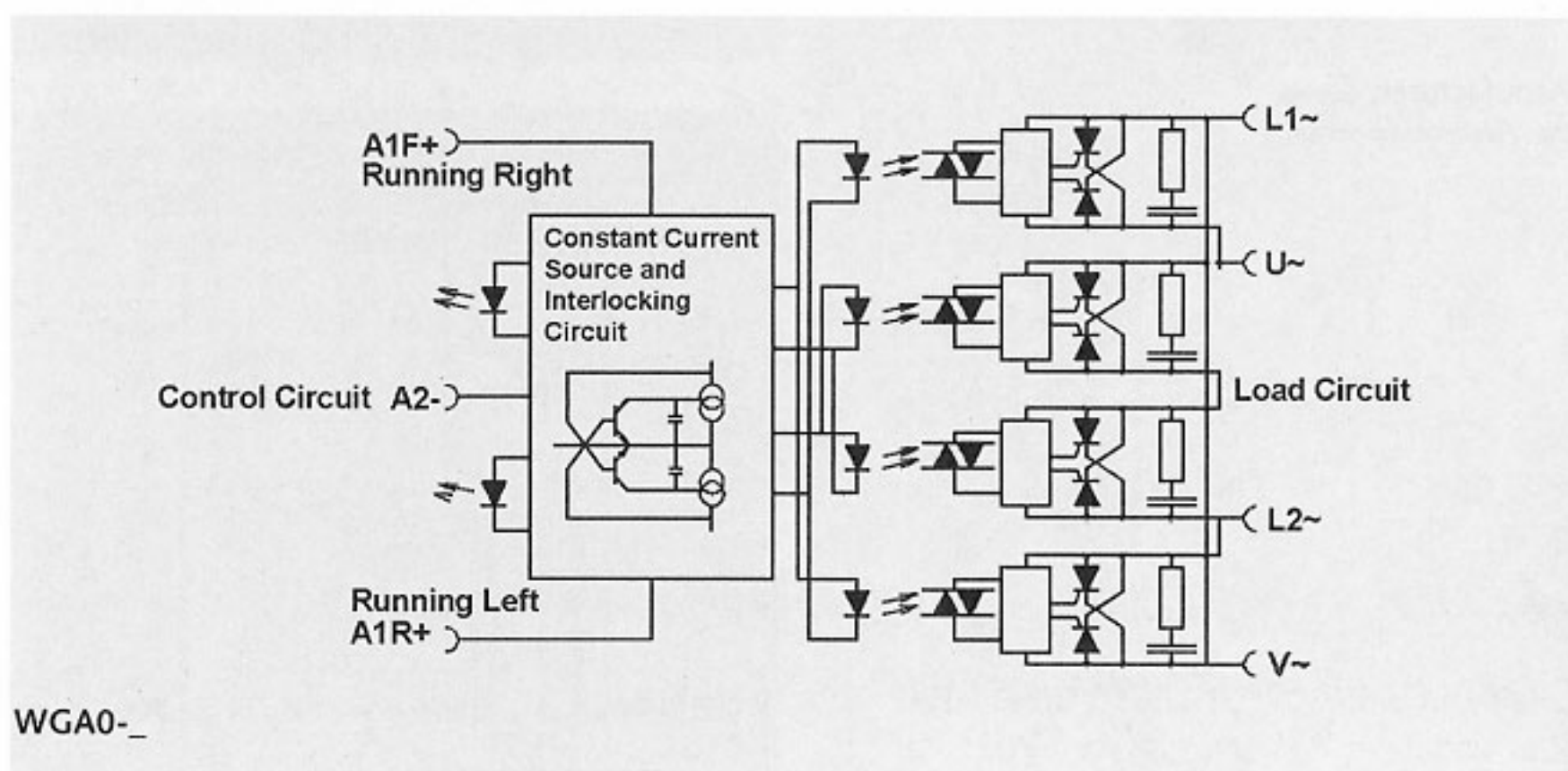
Minimum order quantity: please see price list column "MOQ".

Manufacturer:  **COMUS International**
<http://www.comus.be>

Part Nr.	Part description
WGA0-12D45	Reversing Contactor 480V 45A Hockey-Puck



WGA0-



WGA0-

X8729 = Product group; Product group discount X 87 2_

COMUS Accessories for Solid State Relays WGA5_, WG480_ and WG660_

Terms of Delivery

Minimum order quantity: please see price list column "MOQ".

Manufacturer:  **COMUS International**
<http://www.comus.be>

Part Nr.	Part description
WG-KAPPE	Protection Cover for WG-Relays

