

**D7569** = Product group; Product group discount D 75 6\_

**MYRRA Transformers**  
 Non Short-Circuit Proof  
 Output: 16VA  
 Input Voltage: 230V  
 Core: EI54

### Technical Specifications

Temperature Resistance Class: .....T 50/B  
 Primary Voltage: .....230V (50/60Hz)  
 Rated Power<sup>1)</sup>: .....16VA  
 Test Voltage: .....4kV  
 No-load Voltage: .....<1,6 x U<sub>N sec.</sub>  
 Recommended Fuse (Extern.,Primary): .....80mA

<sup>1)</sup> Per Temperature Class

### Note

Fitted using two headed screws (2,9x6,5) with a toothed and plain washer, cast in a nipple, recommended hole diameter for pins: 1,3mm, for attachments: 4mm

In this catalogue you will find:

- suitable headed screws in product groups G8191, G8192
- suitable toothed washers (SKM3UZ) and plain washers (SKM4U) in product groups G8185, G8186
- suitable fuses in product group E1441

### Approvals

EN61558-1, 0570, 506 D FI N S

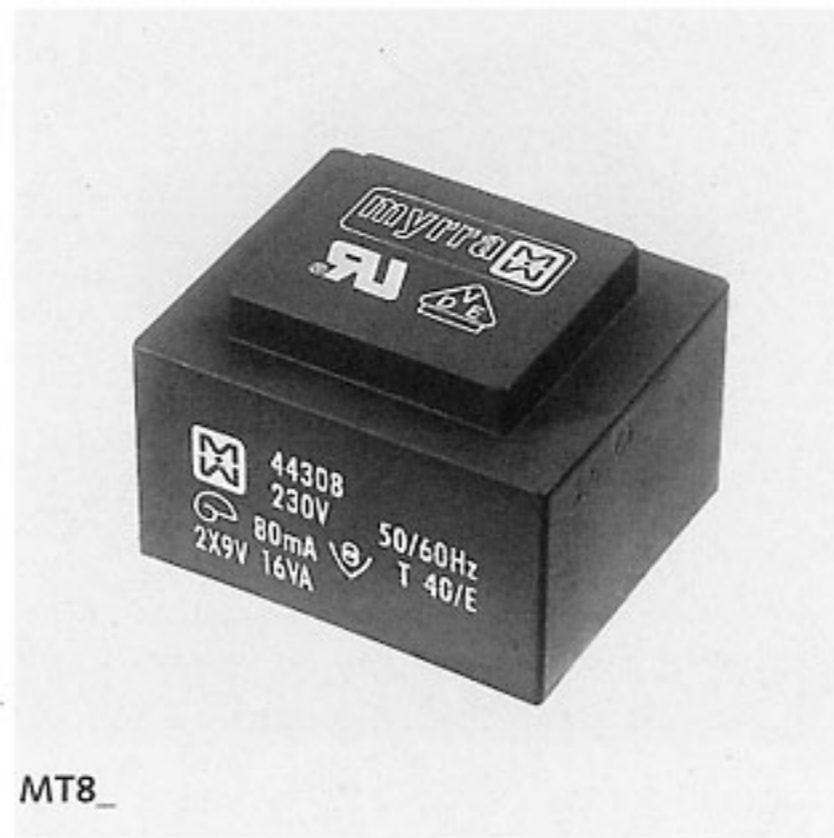
### Terms of Delivery

Minimum order quantity: 1 PKU = 1 piece

Manufacturer: 

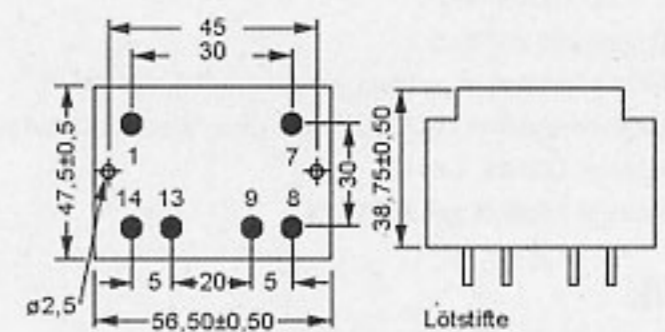
<http://www.myrra.com>

Part Nr.	Part description
MT809-1	Transformer 16VA 230V 9V 1778mA
MT812-1	Transformer 16VA 230V 12V 1333mA
MT815-1	Transformer 16VA 230V 15V 1067mA
MT818-1	Transformer 16VA 230V 18V 889mA
MT809-2	Transformer 16VA 230V 2x9V 2x889mA
MT812-2	Transformer 16VA 230V 2x12V 2x667mA
MT815-2	Transformer 16VA 230V 2x15V 2x533mA
MT818-2	Transformer 16VA 230V 2x18V 2x444mA



MT8\_

auf die Stifte gesehen  
 1 - 7 = primär, 230V  
 9 - 13 = sekundär (eine Wicklung)  
 8 - 9 und 13 - 14 sekundär (zwei Wicklungen)



MT8\_

**D7572** = Product group; Product group discount D 75 7\_

**HAHN Transformers**  
 Non Short-Circuit Proof  
 Output: 20VA  
 Input Voltage: 230V  
 Core: EI60

### Features

- Winding of double coated copper wire for better insulation, vacuum casted, two chambers
- Connections for PCB use

### Technical Specifications

Temperature Resistance Class: .....Ta 70/B  
 End Temperature in Standard Use: .....120°C  
 Permissible Overtemperature<sup>2)</sup>: .....50K  
 Primary Voltage (50/60Hz): .....230V AC  
 Performance, Max. (Ta 70/B)<sup>1)</sup>: .....20VA  
 Test Voltage: .....4kV/50Hz  
 No-Load Voltage (According to VDE 0570): .....1,5 x U<sub>N sec.</sub>

<sup>1)</sup> Taking into Account the Indicated Temperature Resistance Class,

<sup>2)</sup> At 70°C Ambient Temperature

### Approvals

0570, 10

### Additional Products

Orders of 100 pieces on request, delivery time approx. 5 weeks.

### Terms of Delivery

Minimum order quantity: 1 PKU = 1 piece

Manufacturer:  HAHN GmbH & Co. KG

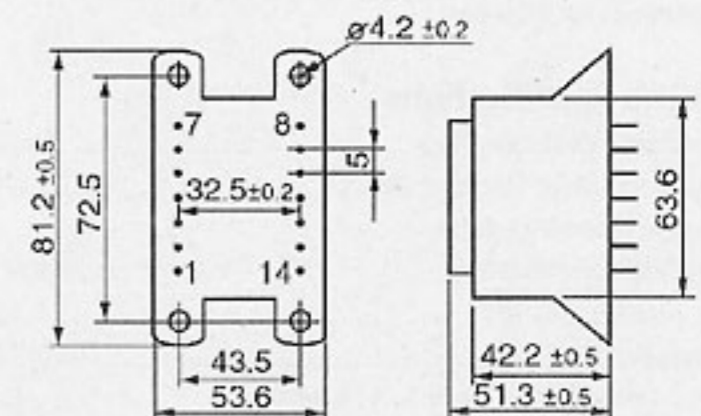
<http://www.hahn-trafo.com>

Part Nr.	Part description
BVEI6014042	Transformer 20VA 230V 2x9V 2x1111mA
BVEI6014043	Transformer 20VA 230V 2x12V 2x833mA
BVEI6014044	Transformer 20VA 230V 2x15V 2x666mA



BVEI601\_

Ansicht Lötseite  
 1 - 7 = primär, 230V  
 9 - 13 = sekundär (eine Wicklung)  
 8 - 9 und 13 - 14 = sekundär (zwei Wicklungen)



BVEI601\_