

25

25 Chain Nose Side Cutting Pliers, Radio Pliers

DIN ISO 5745

- ▶ suitable for gripping and cutting work in precision mechanics
- ▶ pointed, half-round jaws
- ▶ serrated gripping surfaces
- ▶ with cutting edges for medium hard and hard wire
- ▶ cutting edges additionally induction hardened, cutting edge hardness approx. 61 HRC
- ▶ high grade special tool steel, oil-hardened and tempered



25 01 160



Style 0: straight jaws



25 02 160



Style 0: straight jaws



25 06 160



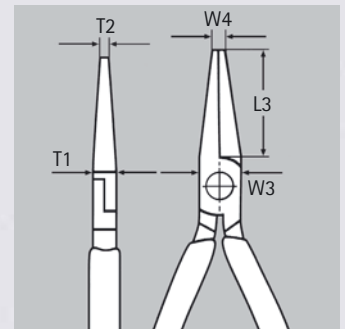
Style 0: straight jaws



25 26 160



Style 2: 40° bent jaws



Article-No.	EAN-	Style	Head	Handles	Cutting capacities		Dimensions					g
					mm	mm	L3	W3	T1	W4	T2	
25 01 125	015932	0	polished	plastic coated	2.2	1.6	27.0	13.0	7.0	2.5	1.8	70
140	013082				2.5	1.6	42.0	15.0	8.0	2.5	2.0	90
160	013099				2.5	1.6	50.0	16.5	9.5	3.0	2.5	115
25 02 140	023159	0	polished	with two-colour dual component handles	2.5	1.6	42.0	15.0	8.0	2.5	2.0	110
160	023166				2.5	1.6	50.0	16.5	9.5	3.0	2.5	145
25 03 125	015956				2	chrome plated	plastic coated	2.2	1.6	27.0	13.0	7.0
160	014492	2.5	1.6	50.0				16.5	9.5	3.0	2.5	115
25 05 140	035015	2	chrome plated	with two-colour dual component handles	2.5	1.6	42.0	15.0	8.0	2.5	2.0	110
160	022817				2.5	1.6	50.0	16.5	9.5	3.0	2.5	145
25 06 160	033806				2.5	1.6	50.0	16.5	9.5	3.0	2.5	150
25 21 160	015994	2	polished	plastic coated	2.5	1.6	50.0	16.5	9.5	3.0	2.5	115
25 25 160	016007				2.5	1.6	50.0	16.5	9.5	3.0	2.5	145
25 26 160	052111	2	chrome plated	insulated with two-colour dual component handles	2.5	1.6	50.0	16.5	9.5	3.0	2.5	150
				1000 V VDE-tested								
				40°								