

# End Sleeves / Twin Cable End Sleeves

**F1384** = Product group; Product group discount F 13 8\_

**VOGT End Sleeves**  
Coloured, Insulated  
Style: Strips  
Surface: Tin-plated  
Series: K4\_

## Features


Tin-plated electrolytic copper end-sleeves with polypropylene, insulation up to 105°C, chain form (strips).

## Dimensions

Part Nr.	L1 [mm]	L2 [mm]	D1 [mm]	D2 [mm]	S [mm]
K4050WS	14,5	8	1,1	2,6	0,15
K4075GR	14,5	8	1,3	2,8	0,15
K4100RT	14,5	8	1,5	3,0	0,15
K4150SW	14,5	8	1,8	3,5	0,15
K4250BL	15	8	2,3	4,2	0,15

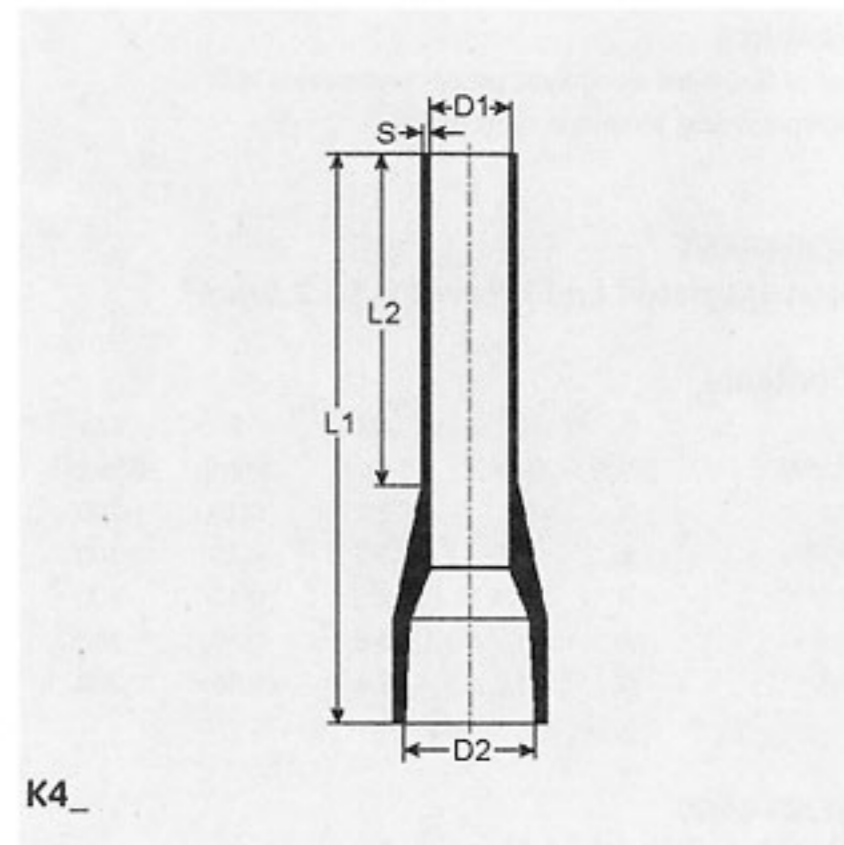
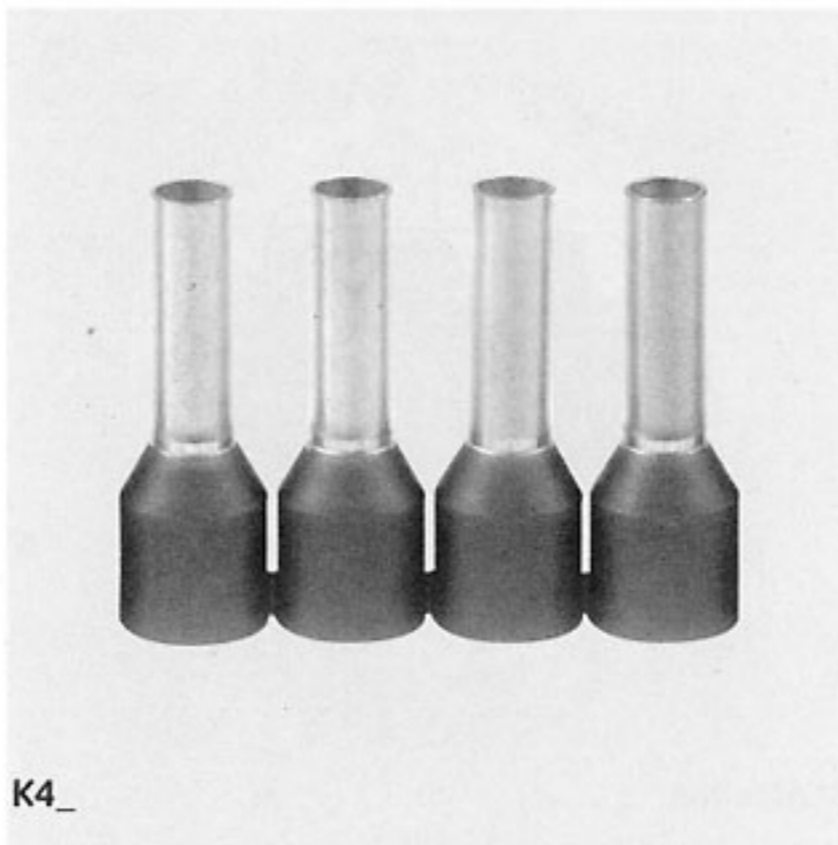
## Terms of Delivery

Minimum order quantity: 1 PKU = 1000 pieces

Manufacturer: 

<http://www.vogt.ch>

Part Nr.	Part description
K4050WS	End Sleeves for 0,50mm <sup>2</sup> White
K4075GR	End Sleeves for 0,75mm <sup>2</sup> Grey
K4100RT	End Sleeves for 1,00mm <sup>2</sup> Red
K4150SW	End Sleeves for 1,50mm <sup>2</sup> Black
K4250BL	End Sleeves for 2,5mm <sup>2</sup> Blue



**F1385** = Product group; Product group discount F 13 8\_

**VOGT Twin Cable End Sleeves**  
Coloured, Insulated  
Surface: Tin-plated  
Series: K9\_

## Features

Tin-plated electrolytic copper twin cable end-sleeves with polypropylene, insulation up to 105°C.

## Dimensions

Part Nr.	L1 [mm]	L2 [mm]	D1 [mm]	D2 [mm]	E [mm]	S [mm]
K9050WS	15	8	1,5	4,9	2,5	0,15
K9075GR	15	8	1,8	5,2	2,6	0,15
K9100RT	16	8	2,3	5,8	3,2	0,15
K9150SW	16	8	2,3	6,5	3,6	0,15
K9250BL	18	9	2,9	7,5	4,3	0,15

## Note

You will find a suitable crimping tool in our red "Components and Devices" catalogue at product group T4611, part EWZ301E.

## Terms of Delivery

Minimum order quantity: 1 PKU = 1000 pieces

Manufacturer: 

<http://www.vogt.ch>

Part Nr.	Part description
K9050WS	End Sleeves for 2x0,50mm <sup>2</sup> White
K9075GR	End Sleeves for 2x0,75mm <sup>2</sup> Grey
K9100RT	End Sleeves for 2x1,00mm <sup>2</sup> Red
K9150SW	End Sleeves for 2x1,50mm <sup>2</sup> Black
K9250BL	End Sleeves for 2x2,50mm <sup>2</sup> Blue

