



Elektrotechnik Karl-Heinz Mauz GmbH

GM12-N20VA-08220-210-20Y (Artikel-Nr. 860504)

EKULIT

SPECIFICATIONS:

Item	Unit	Specification
Rated voltage	VDC	6.0
Gear Ratio		1/210
Rotation		CW
Motor Position		All position in horizontal
Temperature	°C	0~30
Humidity	%	30~95
• Performance of Motor		
No-load Speed	rpm	16.500±10%
No-load Current	mA	35 (max.)
Stall Current	mA	650 (max.)
Stall Torque	g.cm	10
• Performance of Gear motor		
Output Speed	rpm	78±10%
No-load Current	mA	45 (max.)
Stall Current	mA	650 (max.)
Stall Torque	kg.cm	2.0
Rated Torque	g.cm	800
Rated Current	mA	150 (max.)
Noise	dB	48
• The Dimension		
The Outside Shaft Length	mm	23.5
Shaft End Play	mm	0.05-0.30
Screw Size		M1.6*0.35
Dia of Shaft	mm	Ø2.0

Adresse: Felix-Wankel-Str. 35 • 73760 Ostfildern/Nellingen

Tel: +49-711/3414023

Fax: +49-711/3414024

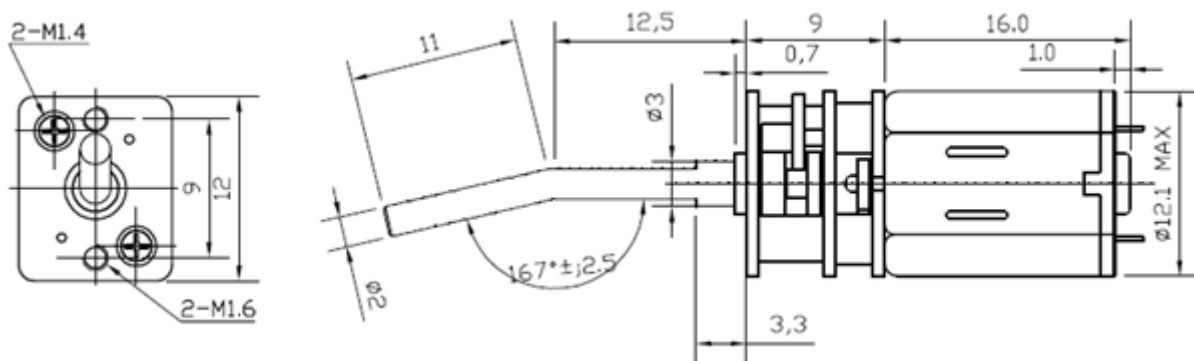
E-mail: info@ekulit.de Web site: www.EKULIT.de

GM12-N20VA-08220-210-20Y (Artikel-Nr. 860504)

EKULIT

DIMENSIONS :

(Unit: mm)



Adresse: Felix-Wankel-Str. 35 • 73760 Ostfildern/Nellingen

Tel: +49-711/3414023

Fax: +49-711/3414024

E-mail: info@ekulit.de Web site: www.EKULIT.de