

Terminal Blocks / Double Row Terminal Blocks

F9375 = Product group; Product group discount F 93 7_

ECE Terminal Blocks
Screw Principle with Wire Guard
Conductor: Horizontal
Pitch: 5mm
Series: ETB11

Technical Specifications

Rated Voltage:300V
Rated Current:8A
Rated Cross Section:0,3...2mm²
Insulation Resistance:500MΩ/500V DC
Dielectric Strength, Min.:2000V AC, 1Min.
Insulating Material:Polyamide 66
Temperature Range:- 55°C...+125°C
Colour:Blue

Dimensions

Part Nr.	L	H	T
		[mm]	
ARK1102Z	10,0	11,0	8,0
ARK1103Z	15,0	11,0	8,0

Approvals



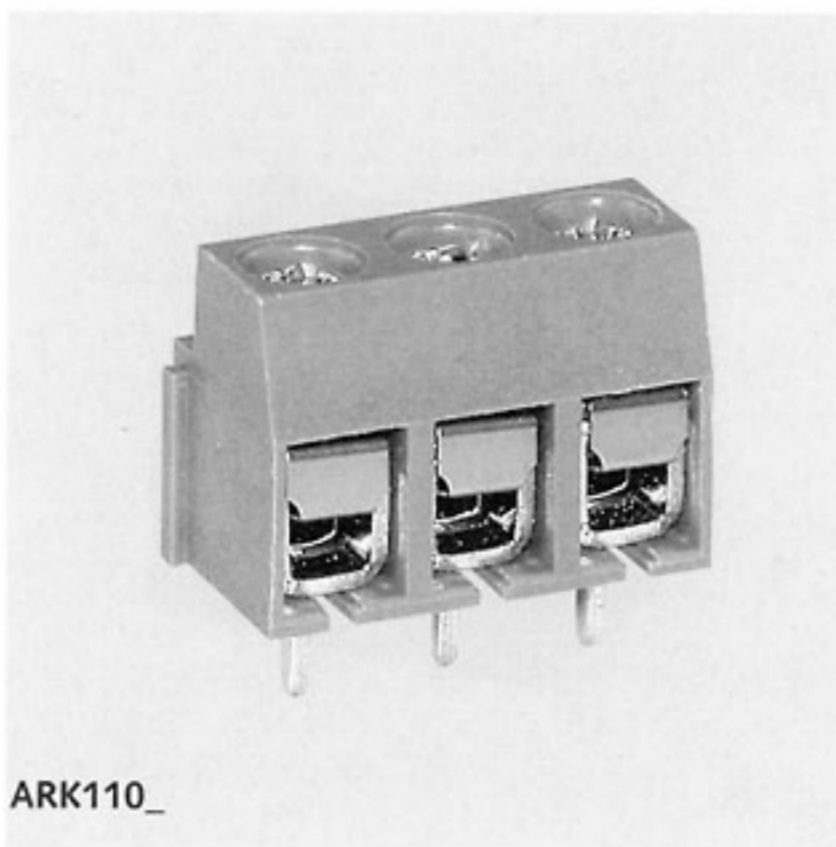
Terms of Delivery

Minimum order quantity: 1 PKU = 50 pieces

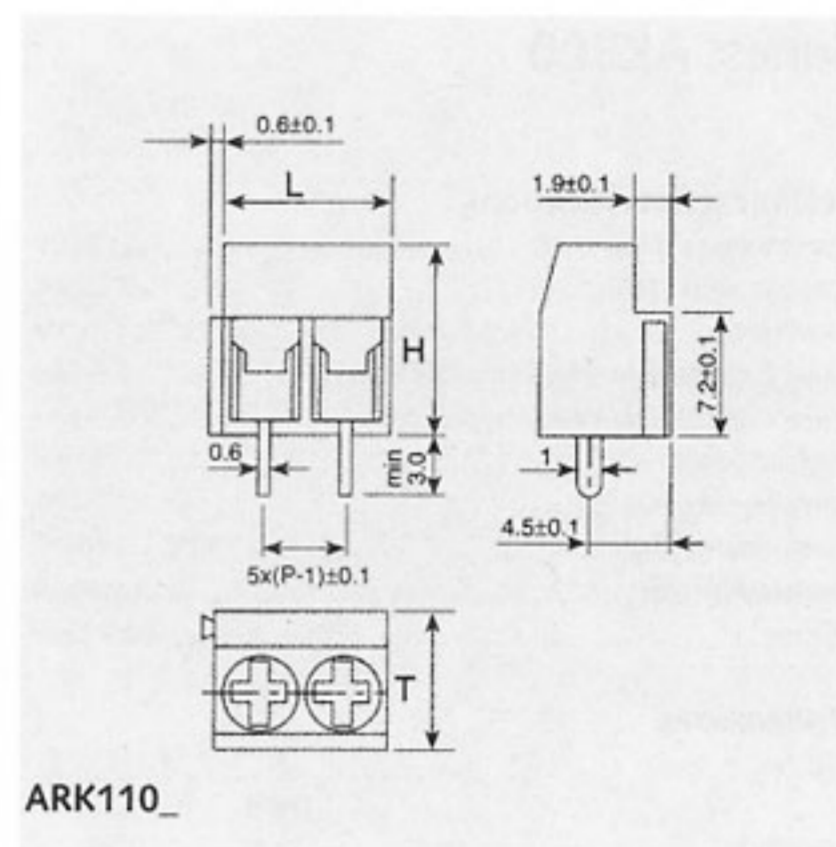
Manufacturer: ECE

<http://www.ece.com.tw>

Part Nr.	Part description
ARK1102Z	Term.Block 300V 2-Pole Blue
ARK1103Z	Term.Block 300V 3-Pole Blue



ARK110_



ARK110_

F9378 = Product group; Product group discount F 93 7_

PTR Double Row Terminal Blocks
Screw-cage Clamp Principle
Conductor: Horizontal
Pitch: 5mm
Series: AK370

Technical Specifications

Rated Voltage (EN 60998):250V
Rated Current (T60):24A
Test Voltage:2kV
Rated Cross Section Single Stranded Wire:2,5mm²
Rated Cross Section Fine Stranded Wire:1,5mm²
Stripped Length:6,0mm
Insulating Material:PA
Temperature Range:-30...+105°C
Flammability Class:UL94V-0
Colour:Green

Dimensions

Part Nr.	L	H	T
		[mm]	
AKZ370/2	10	24,1	21
AKZ370/3	15	24,1	21

Approvals



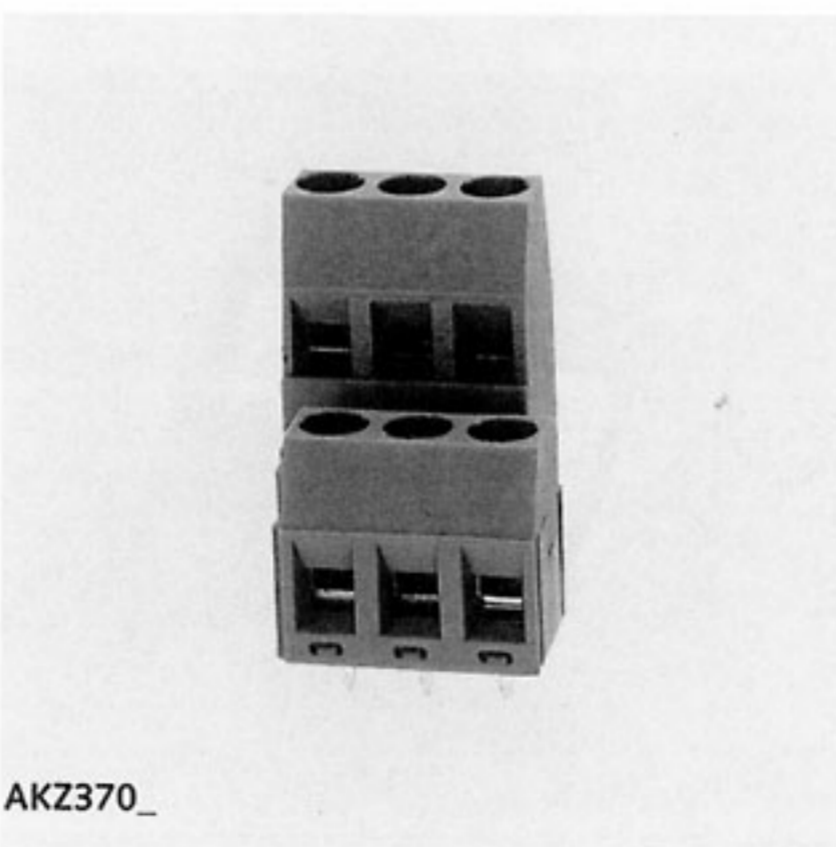
Terms of Delivery

Minimum order quantity: 1 PKU = 10 pieces

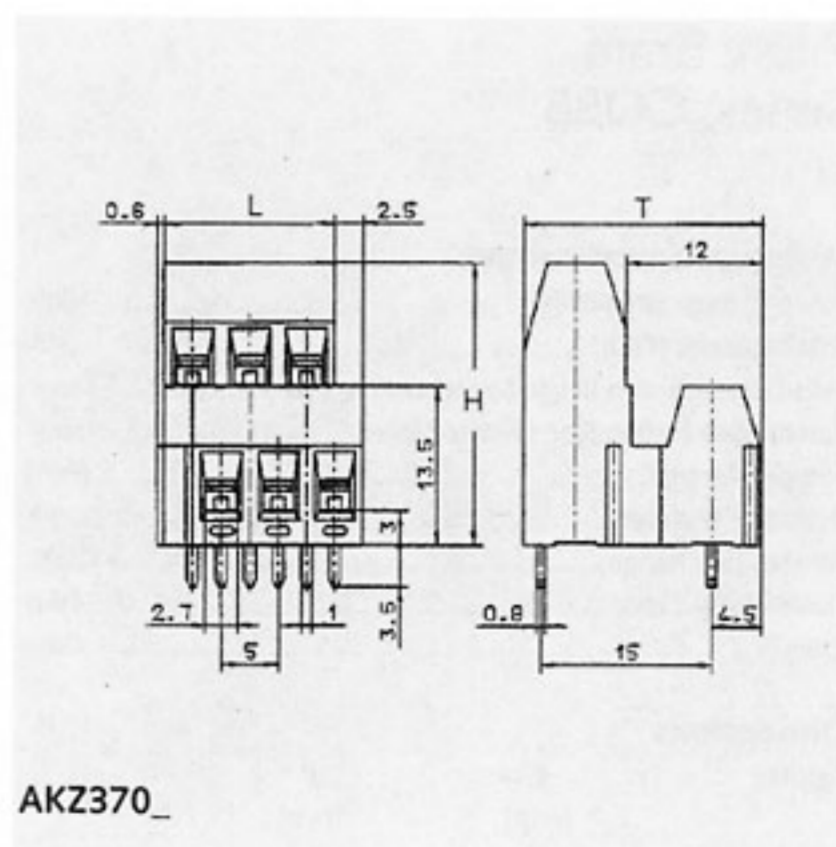
Manufacturer: PTR MESSTECHNIK

<http://www.ptr-messtechnik.de>

Part Nr.	Part description
AKZ370/2	Term.Block 250V 2x2-Pole Green
AKZ370/3	Term.Block 250V 2x3-Pole Green



AKZ370_



AKZ370_