

# Protistor® BS88-4 17x49 aR URZ/URY

690VAC (IEC)

## SEMICONDUCTOR PROTECTION FUSES

## BRITISH STANDARD HIGH-SPEED FUSE-LINKS AC PROTECTION



The 690V Protistor® BS88-4 fuse-links provide maximum flexibility in equipment design and ultimate protection for protection of power semiconductors. These fuse-links are defined as per IEC 60269-1 and -4, VDE 636-23 and BS88-4 for a worldwide acceptance. The Protistor® have been engineered to provide state-of-the-art protection for semiconductors: diodes, thyristors, GTO's and IGBT devices. Fuses are assembled with pure silver, die-cut elements embedded in solidified sand, which helps control arcing characteristics for a lower  $I^2t$  and high interrupting rating level. Each fuse-link can be equipped with a low voltage trip-indicator which can operate a field mountable microswitch.

### TECHNICAL DATA OVERVIEW

Voltage AC	690 VAC
Ampere Range (A)	35 ... 100 A
Size per Standard	17x49
Speed/Characteristic	URZ, URY
I.R. AC (IEC)	200 kA

### FEATURES & BENEFITS

- Extremely fast acting
- Current limiting
- Very high breaking capacity
- Low watts loss

### APPLICATIONS

- Small inverters
- UPS systems
- Variable speed drives
- Similar 700V or less equipment

### STANDARDS

- IEC 60269-4
- VDE 636-23



# Protistor® BS88-4 17x49 aR URZ/URY 690VAC (IEC)

## PRODUCT RANGE



BS17UZ69V63

### Size 17x49 aR URZ/URY 690VAC without trip-indicator

Catalog number	Item number	Rated voltage AC (IEC)	Rated current I <sub>n</sub>	Pre-arcing I <sup>2</sup> t	Clearing I <sup>2</sup> t at Rated Voltage	Rated breaking capacity AC	Power dissipation at I <sub>n</sub>	Package	Weight
BS17UZ69V35	L221247	690 V	35 A	53 A <sup>2</sup> s	330 A <sup>2</sup> s	200 kA	11 W	10	35 g
BS17UZ69V40	M221248	690 V	40 A	69 A <sup>2</sup> s	430 A <sup>2</sup> s	200 kA	13.5 W	10	35 g
BS17UZ69V45	N221249	690 V	45 A	96 A <sup>2</sup> s	610 A <sup>2</sup> s	200 kA	14.5 W	10	35 g
BS17UZ69V50	P221250	690 V	50 A	155 A <sup>2</sup> s	970 A <sup>2</sup> s	200 kA	17 W	10	35 g
BS17UZ69V63	Q221251	690 V	63 A	210 A <sup>2</sup> s	1320 A <sup>2</sup> s	200 kA	19.5 W	10	35 g
BS17UY69V71	R221252	690 V	71 A	240 A <sup>2</sup> s	1510 A <sup>2</sup> s	200 kA	24 W	10	35 g
BS17UY69V80	S221253	690 V	80 A	390 A <sup>2</sup> s	2450 A <sup>2</sup> s	200 kA	25.5 W	10	35 g
BS17UY69V90	T221254	690 V	90 A	520 A <sup>2</sup> s	3250 A <sup>2</sup> s	200 kA	27 W	10	35 g
BS17UY69V100	V221255	690 V	100 A	625 A <sup>2</sup> s	3900 A <sup>2</sup> s	200 kA	33 W	10	35 g



BS17UZ69V63P

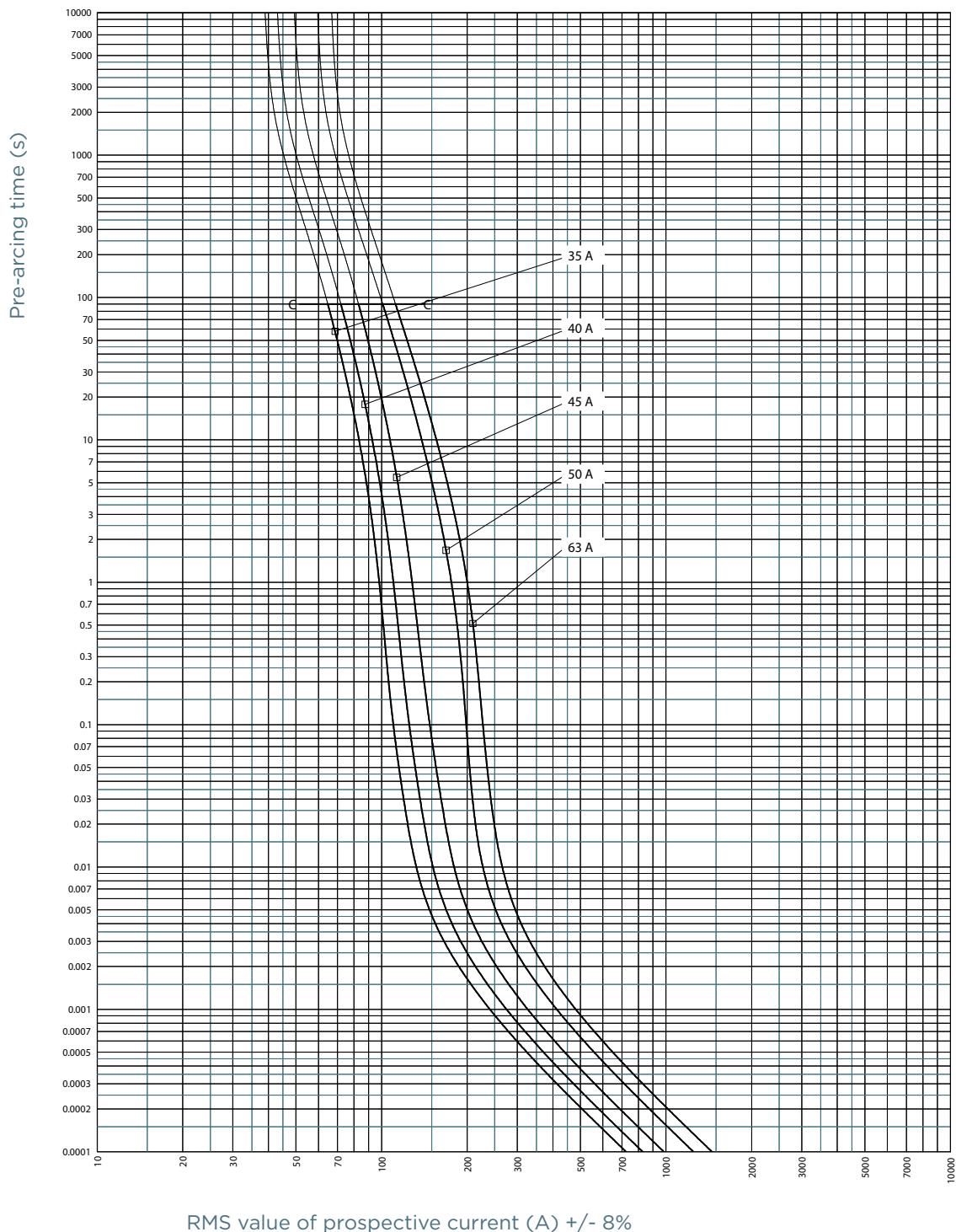
### Size 17x49 aR URZ/URY 690VAC with separated trip-indicator

Catalog number	Item number	Rated voltage AC (IEC)	Rated current I <sub>n</sub>	Pre-arcing I <sup>2</sup> t	Clearing I <sup>2</sup> t at Rated Voltage	Rated breaking capacity AC	Power dissipation at I <sub>n</sub>	Package	Weight
BS17UZ69V35P	W221256	690 V	35 A	53 A <sup>2</sup> s	330 A <sup>2</sup> s	200 kA	11 W	10	50 g
BS17UZ69V40P	X221257	690 V	40 A	69 A <sup>2</sup> s	430 A <sup>2</sup> s	200 kA	13.5 W	10	50 g
BS17UZ69V45P	Y221258	690 V	45 A	96 A <sup>2</sup> s	610 A <sup>2</sup> s	200 kA	14.5 W	10	50 g
BS17UZ69V50P	Z221259	690 V	50 A	155 A <sup>2</sup> s	970 A <sup>2</sup> s	200 kA	17 W	10	50 g
BS17UZ69V63P	A221260	690 V	63 A	210 A <sup>2</sup> s	1320 A <sup>2</sup> s	200 kA	19.5 W	10	50 g
BS17UY69V71P	B221261	690 V	71 A	240 A <sup>2</sup> s	1510 A <sup>2</sup> s	200 kA	24 W	10	50 g
BS17UY69V80P	C221262	690 V	80 A	390 A <sup>2</sup> s	2450 A <sup>2</sup> s	200 kA	25.5 W	10	50 g
BS17UY69V90P	D221263	690 V	90 A	520 A <sup>2</sup> s	3250 A <sup>2</sup> s	200 kA	27 W	10	50 g
BS17UY69V100P	E221264	690 V	100 A	625 A <sup>2</sup> s	3900 A <sup>2</sup> s	200 kA	33 W	10	50 g

MERSEN reserves the right to change, update or correct, without notice, any information contained in this datasheet.

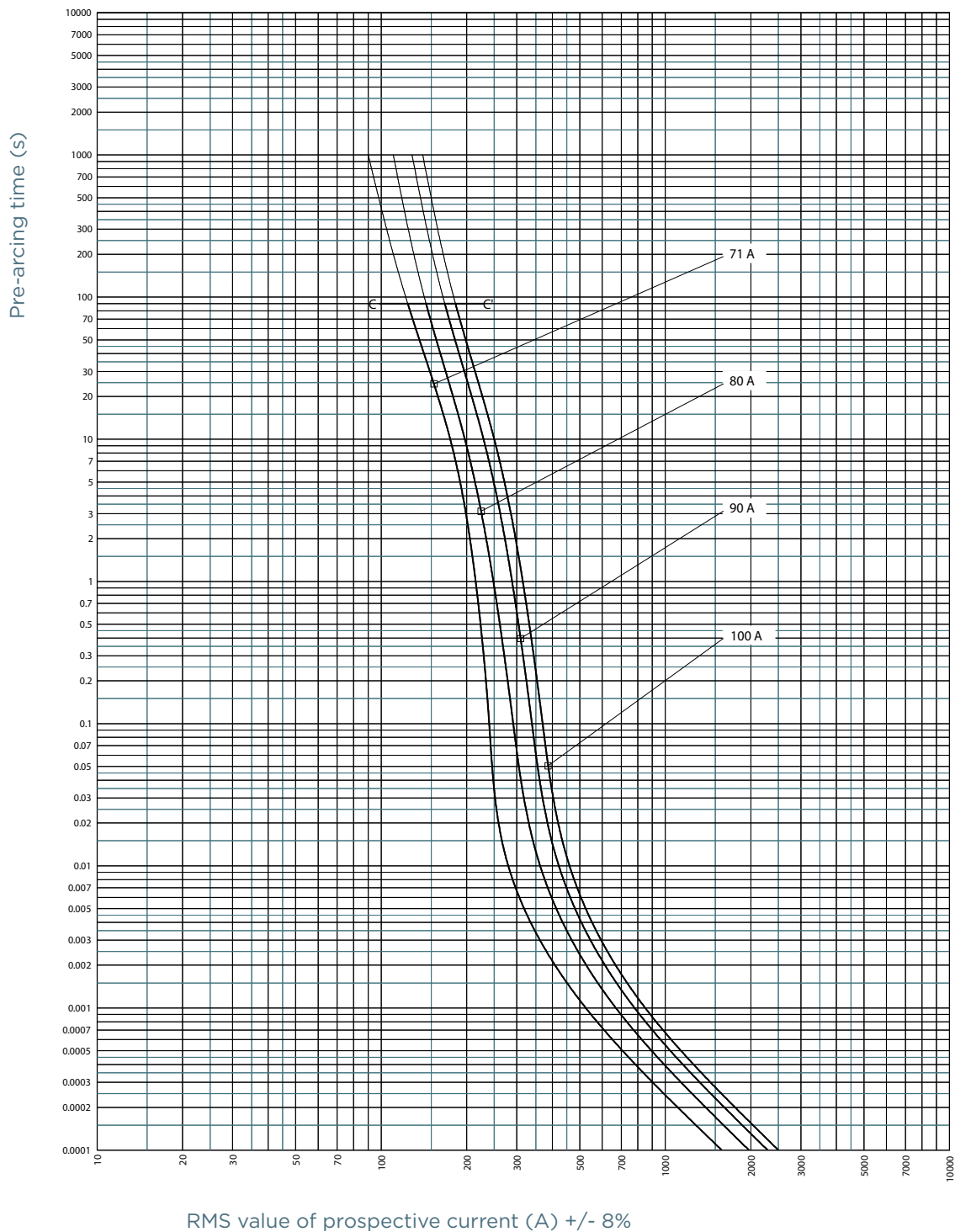
## TIME CURRENT CHARACTERISTIC CURVES

### URZ - With and Without Trip Indicator



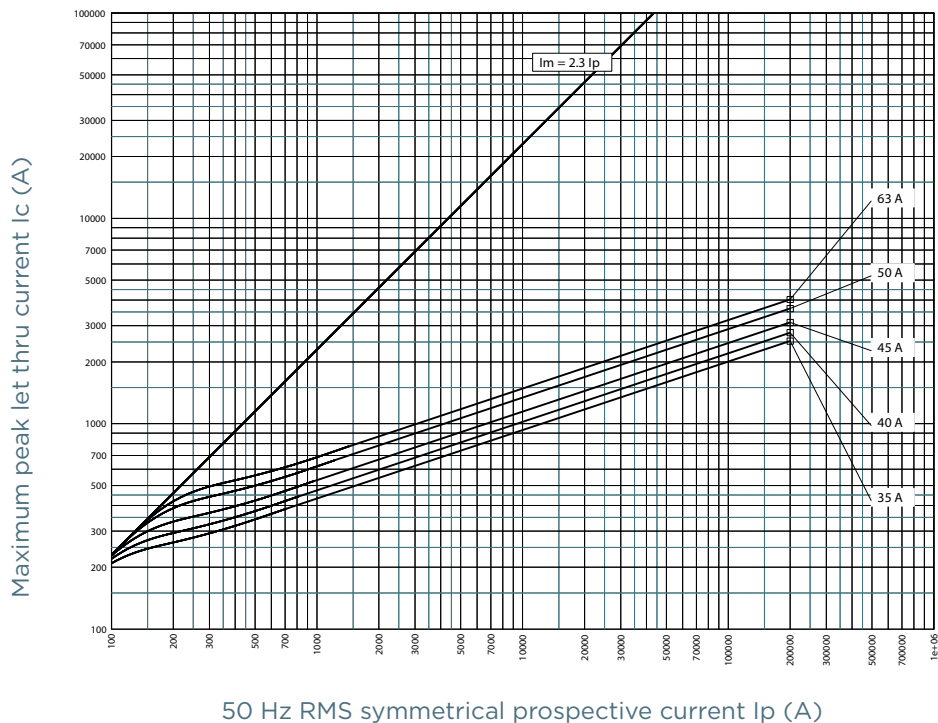
## TIME CURRENT CHARACTERISTIC CURVES

### URY - With and Without Trip Indicator

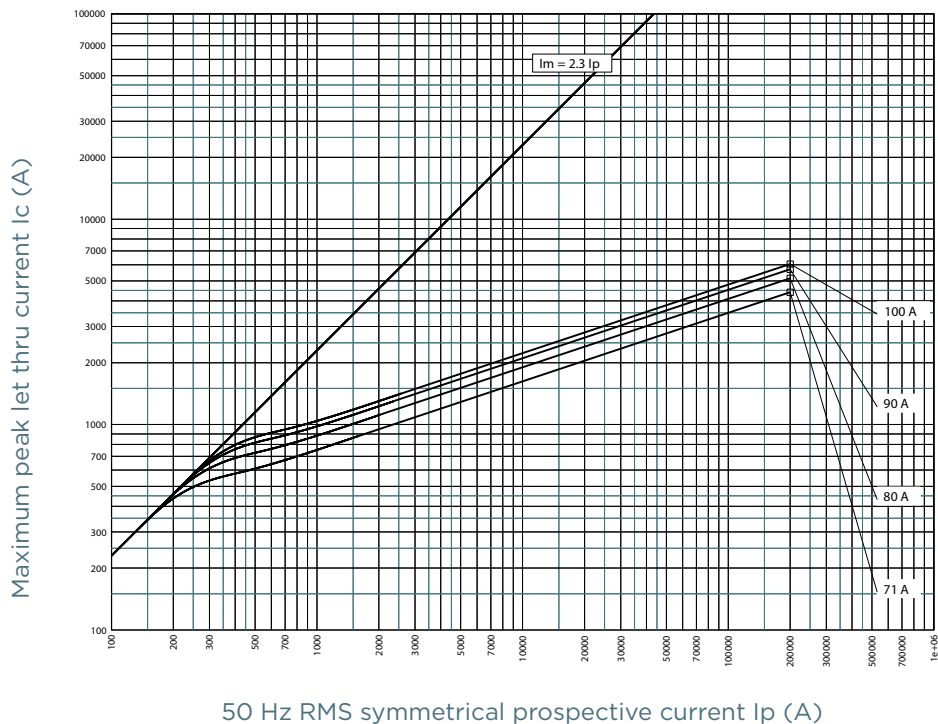


## CUT-OFF CURRENT CHARACTERISTIC

### URZ - With and Without Trip Indicator

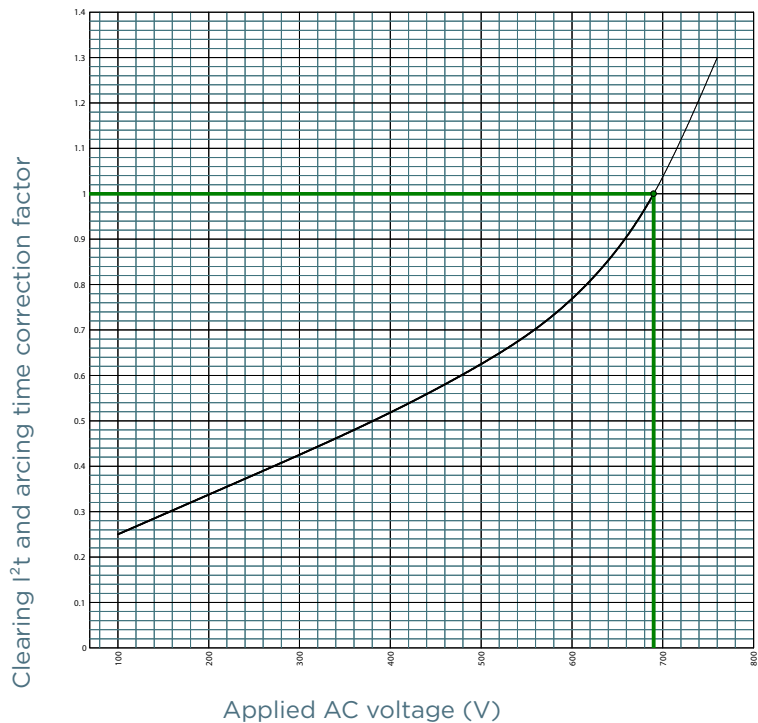


### URY - With and Without Trip Indicator



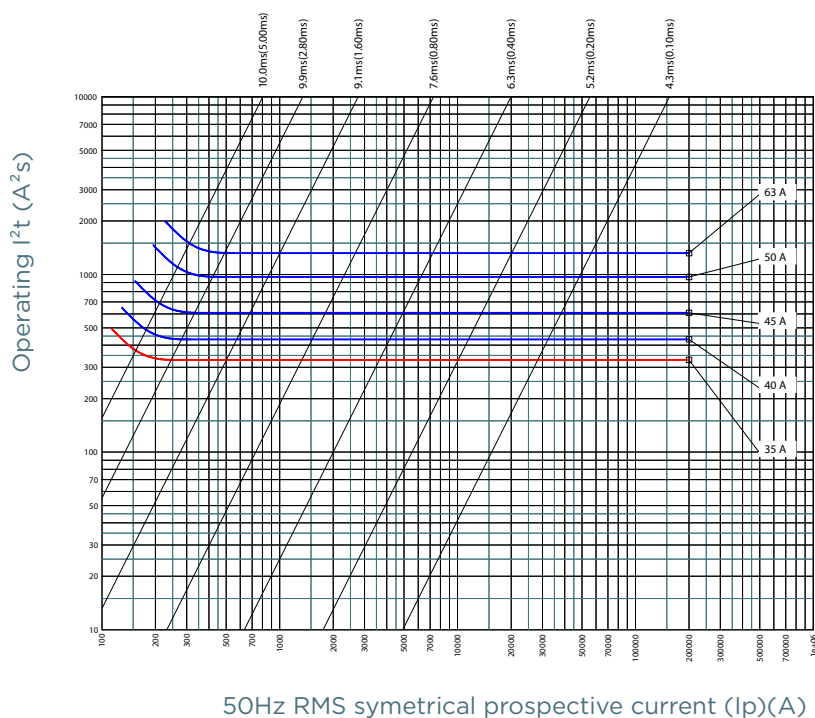
## I<sup>2</sup>T MULTIPLIER COEFFICIENT

### URY & URZ - With and Without Trip Indicator



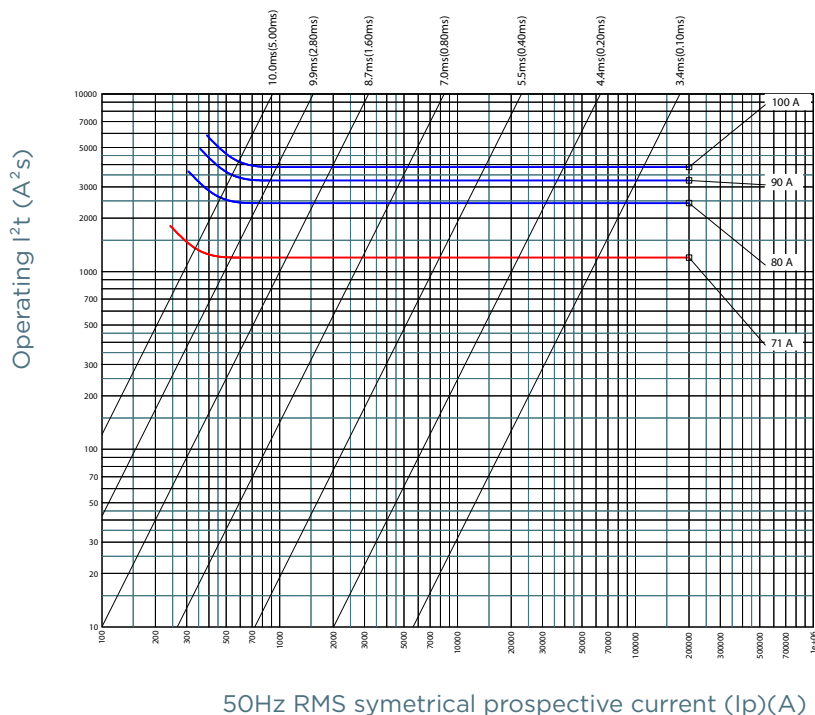
## CHARACTERISTICS TOTAL I<sup>2</sup>T CURVE

### URZ - With and Without Trip Indicator



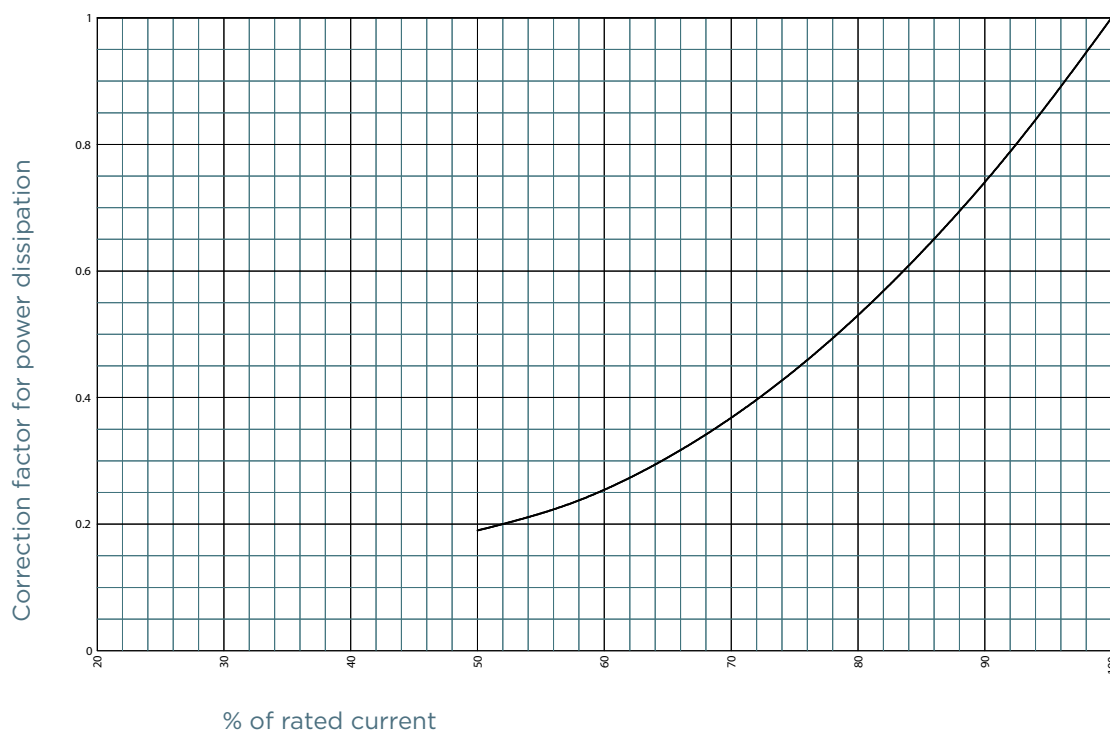
## CHARACTERISTICS TOTAL I<sup>2</sup>T CURVE

### URY - With and Without Trip Indicator



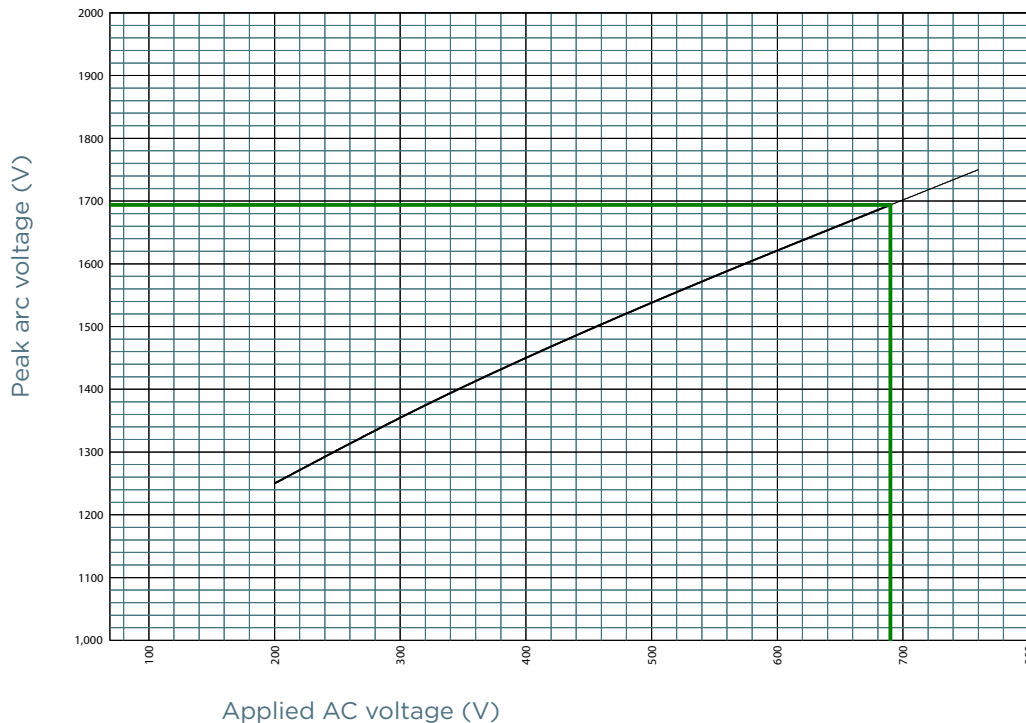
## POWER DISSIPATION

### URY & URZ - With and Without Trip Indicator



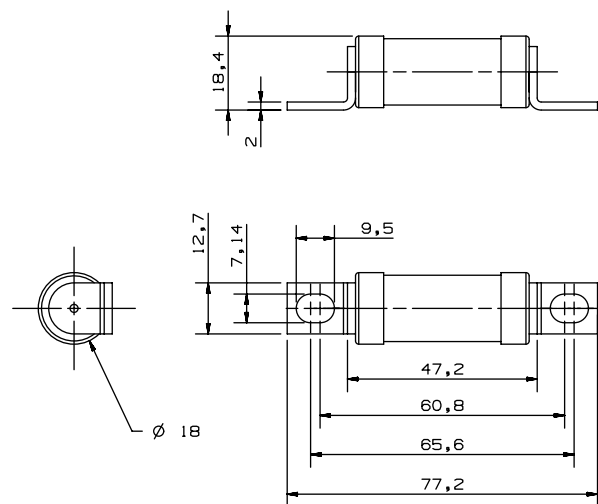
## PEAK ARC VOLTAGE

### URY & URZ - With and Without Trip Indicator



## DIMENSIONS

### Without trip indicator



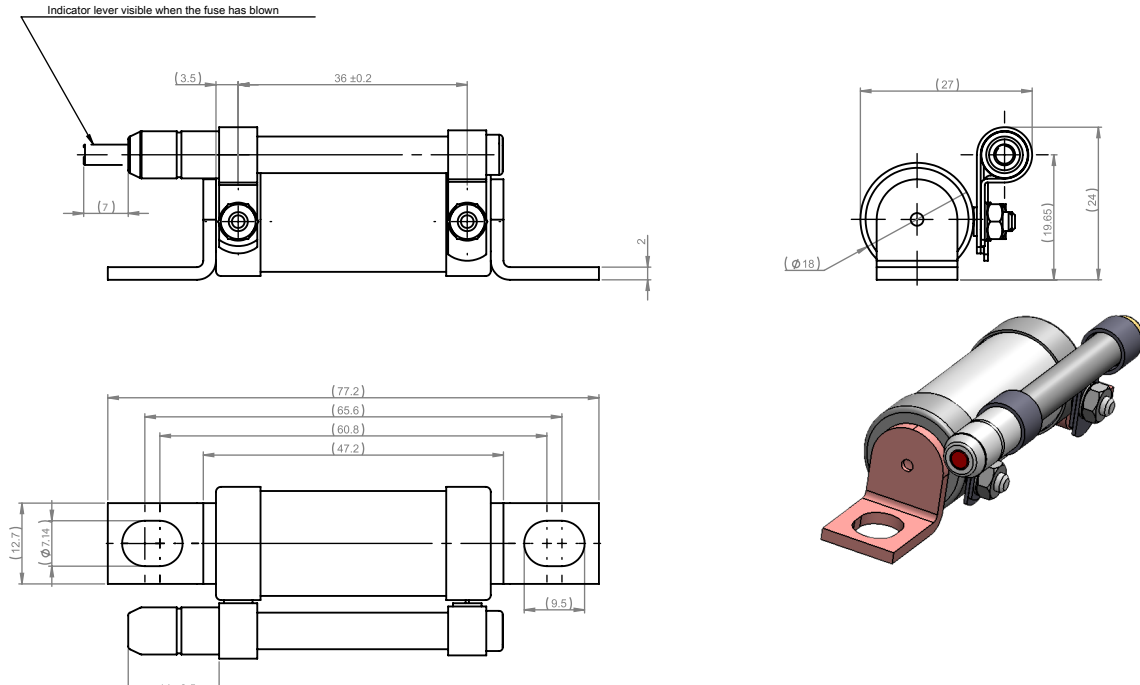
Dimensions in mm



# Protistor® BS88-4 17x49 aR URZ/URY 690VAC (IEC)

## DIMENSIONS

### With seperated trip indicator



Dimensions in mm