

Pushbutton Switches

E2915 = Product group; Product group discount E 29 1_

ARCOLECTRIC Pushbutton Switches

Vandal-Proof
Panel Cut-out: Ø19,2mm
Series: 8300

Features

- H8350RP: vandal-proof latching pushbutton
- H8351RP: vandal-proof momentary pushbutton
- IP66

Technical Specifications


Operating Voltage, Max.:	250V AC
Switching Current, Max.:	16A
Switching Current at Inductive Load, Max.:	4A
Ambient Temperature, Max.:	85°C
Insulation Resistance:	>20MΩ
Contact Resistance	
(New State, 12V DC/1A):	<100mΩ
Contact Opening Width:	<3mm
Soldering Conditions (Hand Solder):	350°C/6s
Materials	
Shell:	Nylon 6.6
Pushbutton:	Stainless Steel
Current-carrying Parts:	Cu Alloy
Contacts:	Silver-plated
Flammability Class:	UL94V2

Approvals

05: 16 (4)A, 250Vac, T85
85°C, file E45221, file LR10990

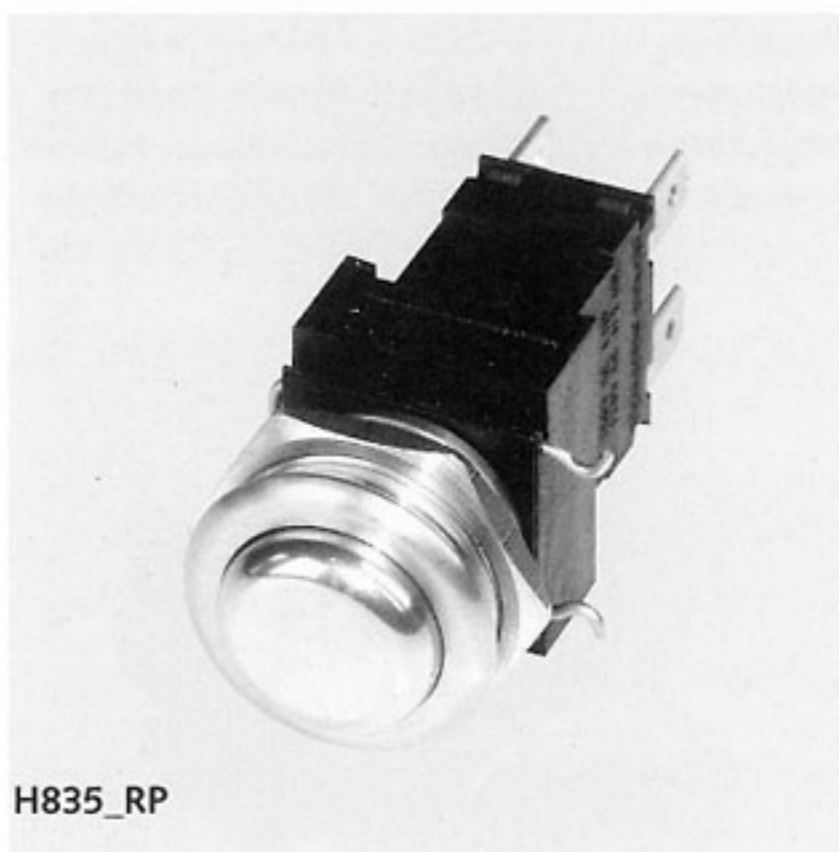
Terms of Delivery

Minimum order quantity: 1 PKU = 1 piece

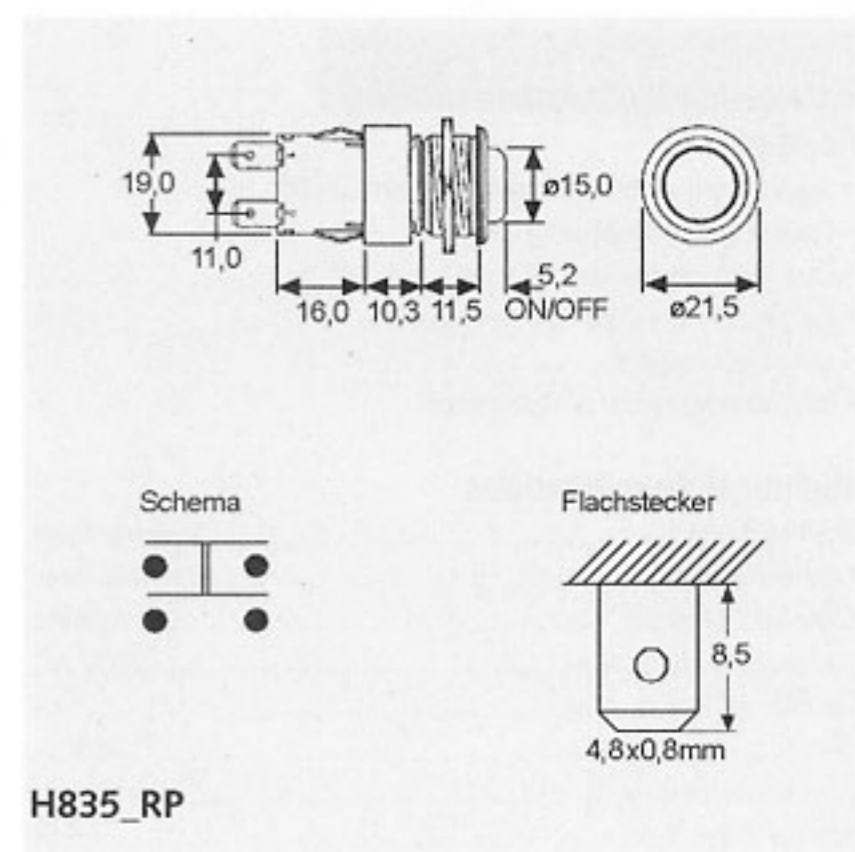
Manufacturer: 

<http://www.arcoelectric.com>

Part Nr.	Part description
H8350RP	Pushbutton Switch DPST 16A/250V
H8351RP	Pushbutton Switch Mom. DPST 16A/250V



H835_RP



H835_RP

E2933 = Product group; Product group discount E 29 3_

SALECOM Pushbutton Switches

Panel Cut-out: Ø12mm
Series: R-18-23A

Features

- Single Pole universal pushbutton switch with central mounting
- Polyester version
- With square pushbutton in green, red or black

Technical Specifications

Switching Capacity:	125V AC/3A
Contact Resistance:	<20mΩ
Insulation Resistance:	100MΩ
Test Voltage:	1500V AC
Operating Life, Electrical:	>50,000
Operating Life, Mechanical:	>100,000

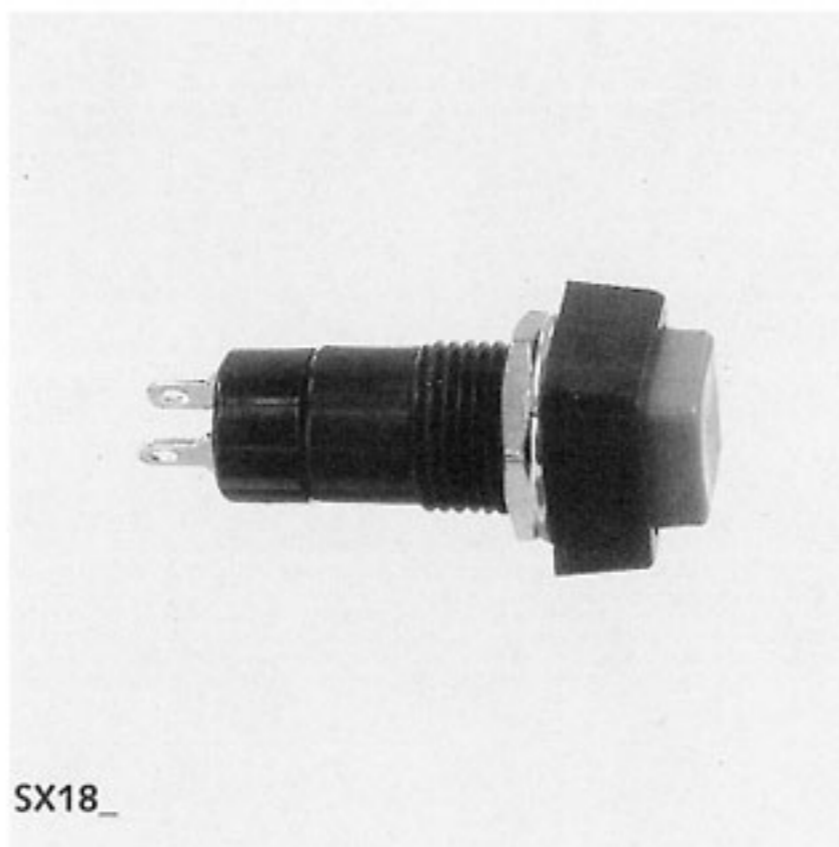
Terms of Delivery

Minimum order quantity: 1 PKU = 25 pieces

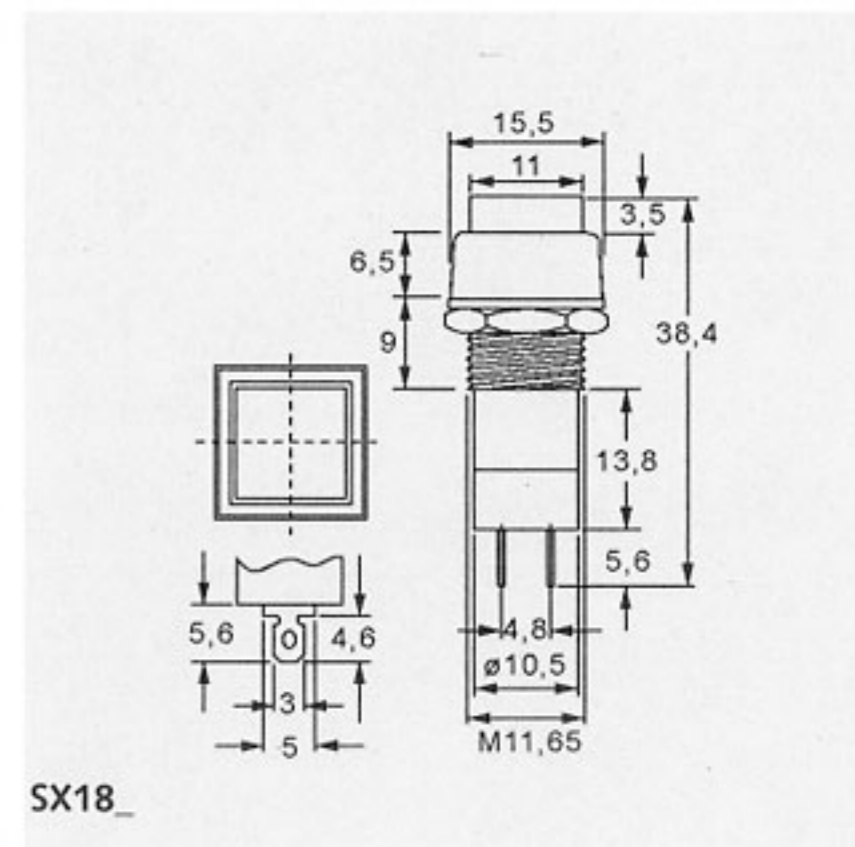
Manufacturer: Salecom

<http://www.salecom.com.tw>

Part Nr.	Part description
SX18GN	Pushbutton Switch 125V 3A Green
SX18RT	Pushbutton Switch 125V 3A Red
SX18SW	Pushbutton Switch 125V 3A Black



SX18_



SX18_