

# Crimping Tool

**T4645** = Product group; Product group discount T 46 4\_

## TYCO/AMP Crimping Tool for AMP Connectors Series: AMP59

### New Products

#### AMP5396351 ERGO Basis Hand Tool

##### Features

- Hand plier without crimp die (have to be ordered separately)
- Made of special steel, black burnished surface
- Catching-machine suits complete crimp-process safely
- Easy unblocking of catching-machine
- Ergonomically designet and non-slip handle bar

#### AMP5397532

##### Features

- Die Set for MiniUMNL connectors 0,3...1,3mm<sup>2</sup>

##### Note

Suitable Mini-Universal-Mate-N-Lok crimp connectors are available at product group F1461 in our blue "Passive & Electromechanical Components" catalogue.

#### AMP5397732

##### Features

- Die Set for Superseal 1.5 connectors 0,3...1,5mm<sup>2</sup>

##### Note

Suitable Superseal crimp connectors are available at product group F1711 in our blue "Passive & Electromechanical Components" catalogue.

#### AMP5396682

##### Features

- Die set for CPC connectors

##### Note

Suitable CPC crimp connectors are available at product group F4211 in our blue "Passive & Electromechanical Components" catalogue.

#### AMP598031

##### Features

- Insertion tool for cables in MTA-100 IDC crimp connectors

##### Note

Suitable MTA-100 IDC crimp connectors are available at product group F4211 in our blue "Passive & Electromechanical Components" catalogue.

##### Terms of Delivery

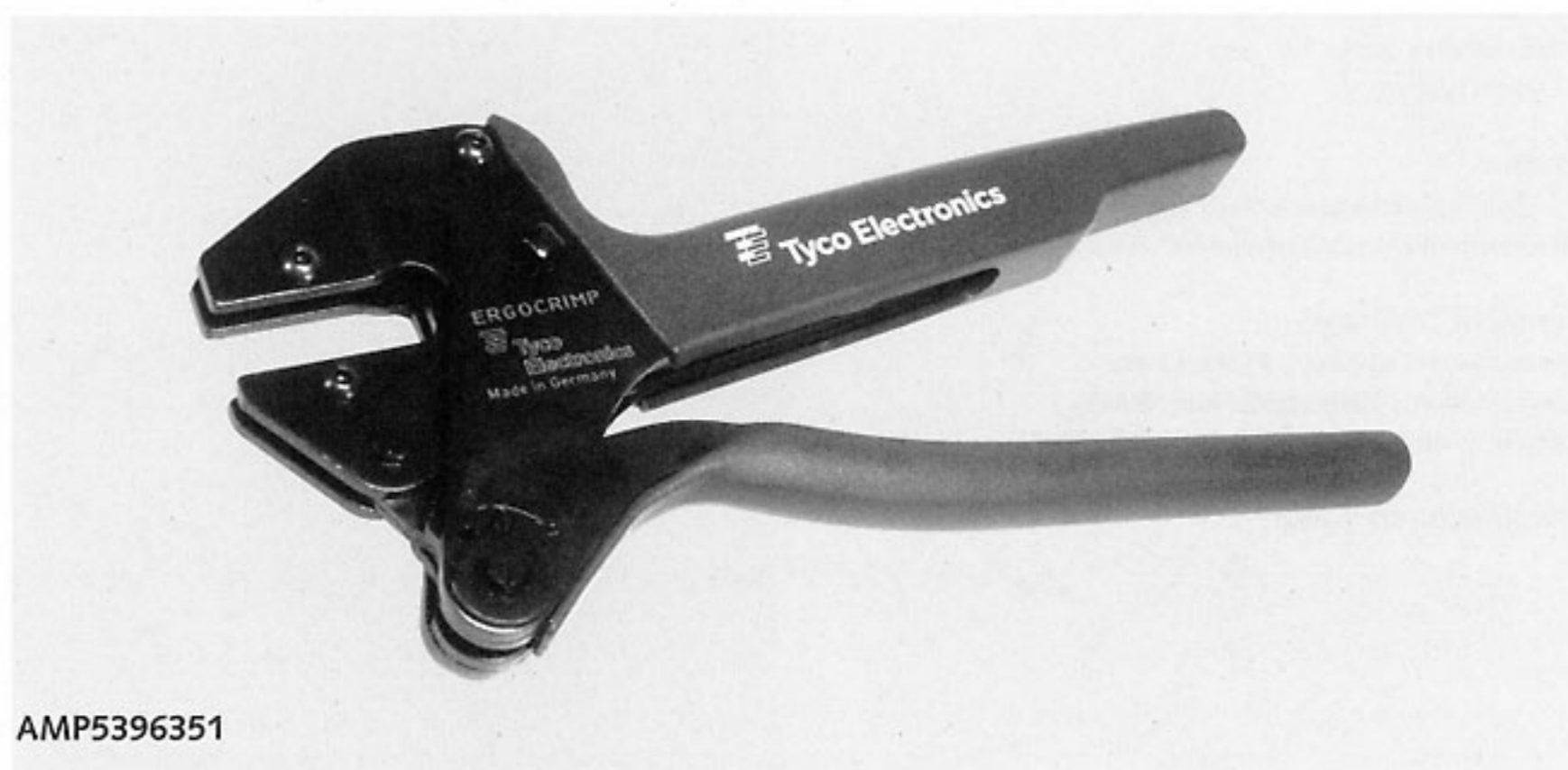
Minimum order quantity: 1 PKU = 1 piece

Articles in bold print in stock, other articles available on request, delivery time approx. 4 weeks.

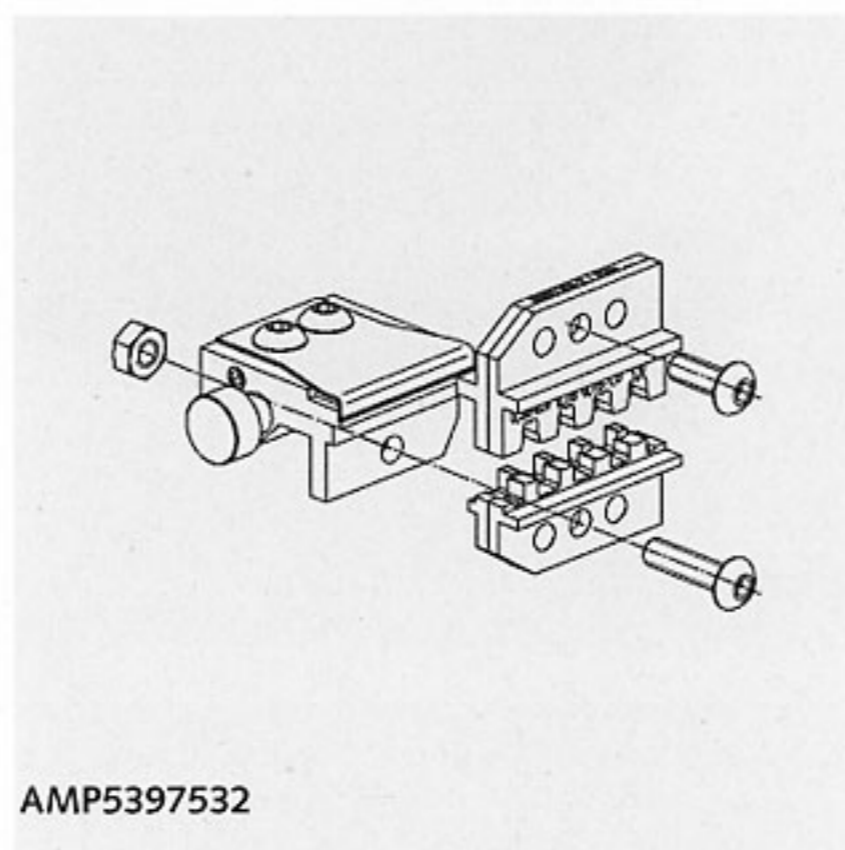
Manufacturer: **tyco** / Electronics / **AMP**

<http://www.tycoelectronics.com>

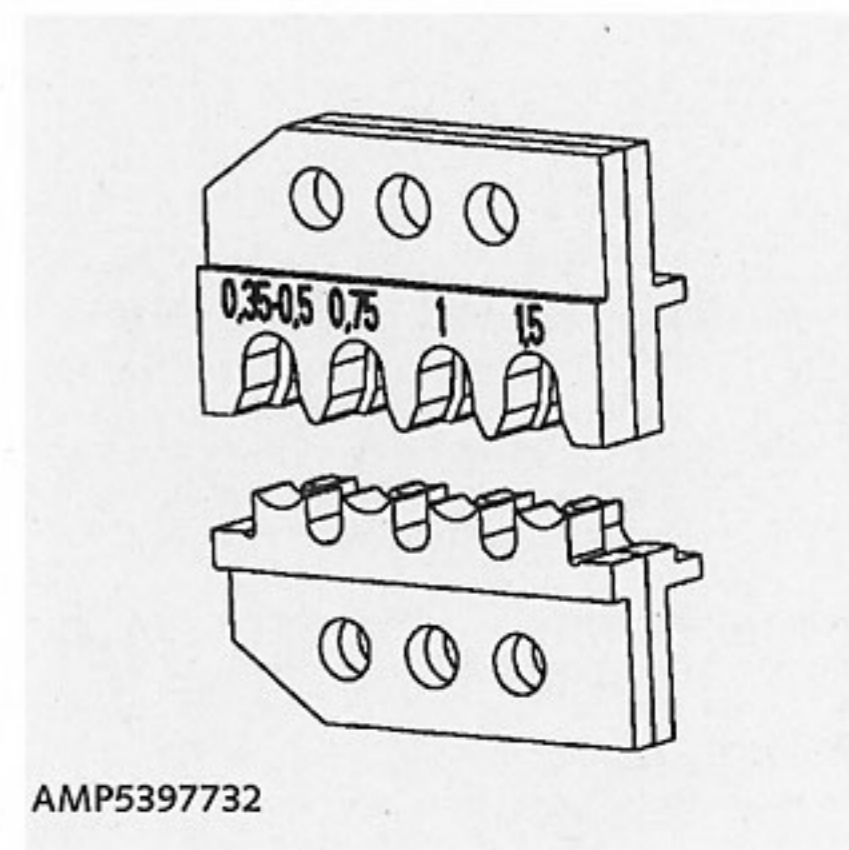
Part Nr.	Part Description
AMP5396351	ERGO Basis Hand Tool
AMP5397532	ERGO Mat.MiniumNL 0,3-1,3mm <sup>2</sup>
AMP5397732	! ERGO Mat.Superseal1.5 0,3-1,5mm <sup>2</sup>
AMP5396682	! ERGO Matritze CPC
AMP598031	! Insert Tool MTA-100



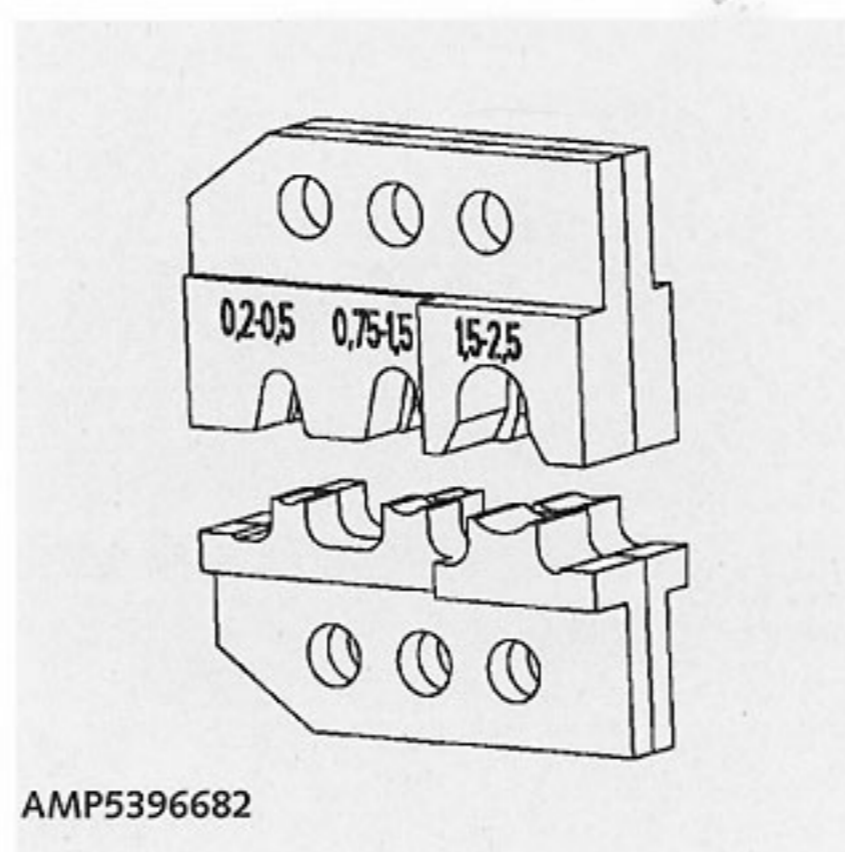
AMP5396351



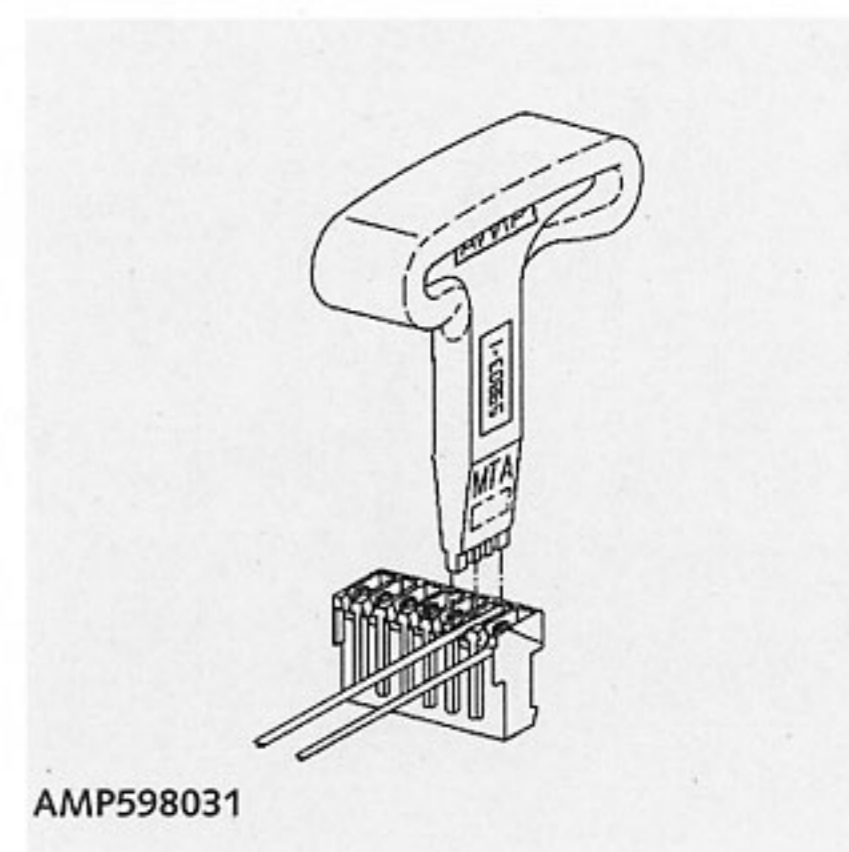
AMP5397532



AMP5397732



AMP5396682



AMP598031