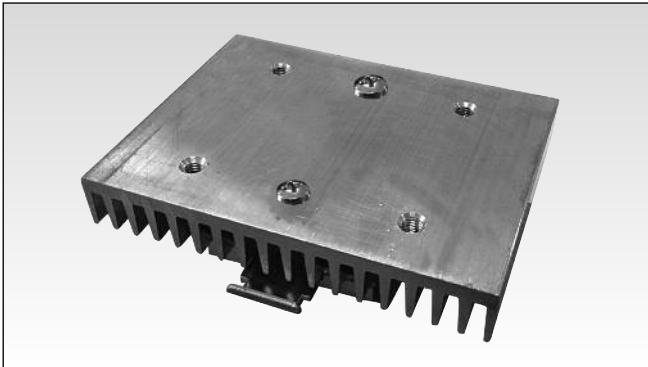


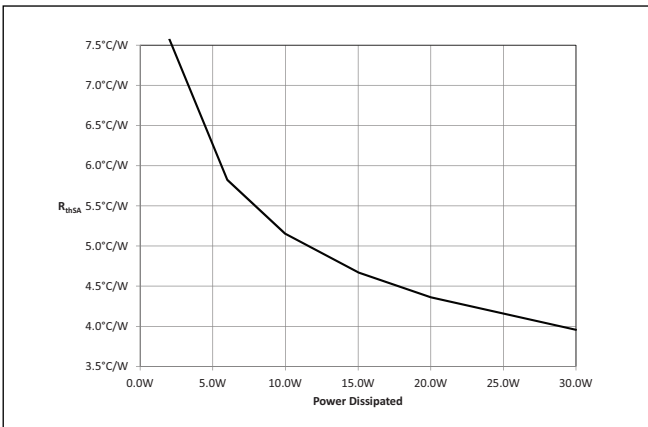
Solid State Relays Accessories, Heatsinks Type RHS10015

CARLO GAVAZZI



- 4.0 °C/W thermal resistance
- Suitable for mounting of 2x 1-phase SSRs
- Din rail mounting
- Dimensions W x H x D: 100 x 82 x 29 mm
- RoHS compliant

Thermal Resistance Curve



Ordering Key

RHS10015

Product Description

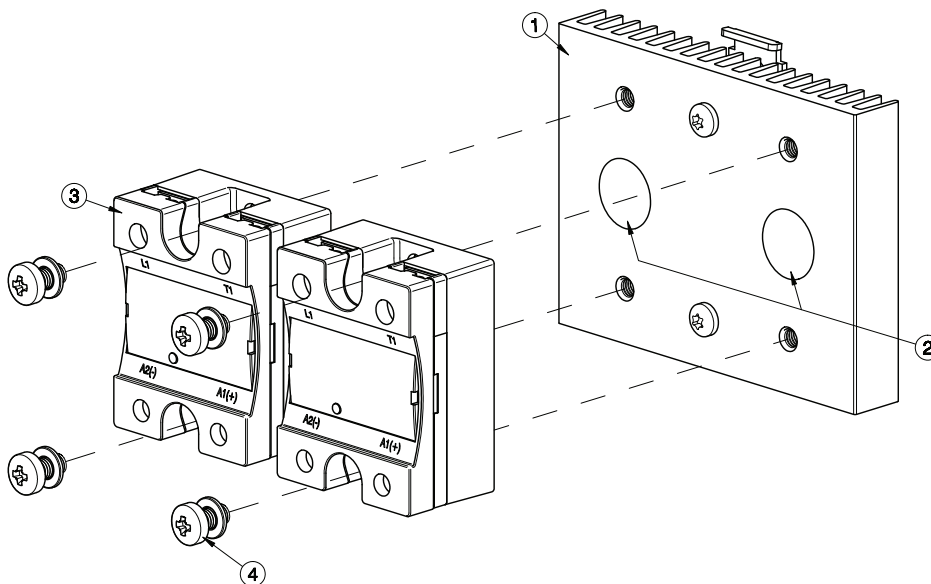
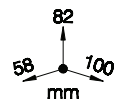
Heatsink assembly suitable for mounting of 2x 1-phase solid state relays (SSRs).

Suffix H47 added to SSR part no. refers to factory mounted heatsink. Conditions apply. Please ask your Sales representative for further details.

Heatsink Assembly

Components for assembly	Qty	RHS10015
1 RHS10015 Heatsink Assembly	1	Provided
2 Thermal Compound HTS02S	1	Provided
3 1-phase SSR 45x59mm (max.)	2	Not Provided
4 M5x45mm PZ2 + Washer	4	Provided

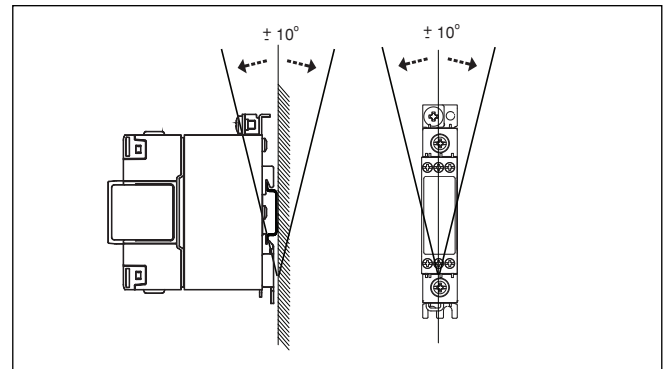
Dimensions including the SSR



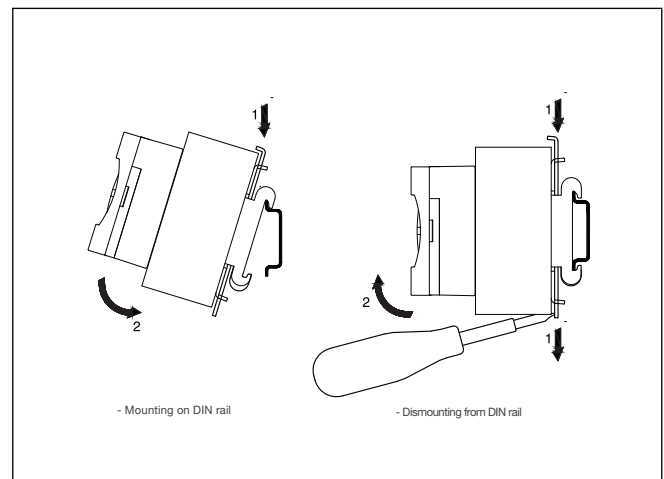
General Specifications

SSR max. mounting torque	1.5Nm (13.3 lb-in)
Weight (excl. SSR)	approx. 260g
Material	Aluminium
Finish	None
Fan mounting	Not possible

Mounting Position



Installation



Illustrations are for example only

Recommended Maximum Current Rating (per SSR)

Notes:

- The below recommendations are only valid when the assembly (SSR + heatsink) is mounted as shown in the mounting instructions unless otherwise indicated.
- The indicated ratings are applicable to one SSR, one pole. Please refer to the online selector tool at www.productselection.net for different load currents, surrounding temperatures or multiple units on one heatsink.
- These recommendations are applicable only with the indicated Carlo Gavazzi thermal interface material between SSR and heatsink. In case a different thermal interface is utilised these recommendation may no longer be valid.

Thermal interface = Thermal compound, **HTS02S**

2x 1-phase SSR	Surrounding temperature							
	°C	20	30	40	50	60	70	80
	°F	68	86	104	122	140	158	176
RD..	1	1	1	1	1	1	1	n/a
	5	5	5	5	4.5	4	3	n/a
RA..L RA..T	10	9.5	8.5	7	5.5	3.5	2	n/a
	25	9.5	8.5	7	5.5	3.5	2	n/a
RA..	25	15.5	14.5	12.5	10	8	6	n/a
	50	18	16.5	14	11.5	9	6.5	n/a
	90	20.5	19	16	13	10.5	7.5	n/a
	110	22	20.5	17.5	14	11	7.5	n/a
RA60..	50	18.5	17	14.5	12	9.5	7	n/a
RA2A..*	25	8	7.5	6	5	3.5	2.5	n/a
	40	9	8	6.5	5.5	4	2.5	n/a
	25M	8	7.5	6	5	3.5	2.5	n/a
	40M	9	8	6.5	5	4	2.5	n/a
RS1A..	10	7.5	7	6	4.5	3.5	2.5	n/a
	25	14	12.5	10.5	8.5	6.5	4	n/a
	40	15	13.5	11.5	9	6.5	4.5	n/a
RS1A..E	25	8	7.5	6	4.5	3.5	2.5	n/a
	40	8	7	6	4.5	3.5	2	n/a
RM1A.. RM1B.. RM1C..	25	14	12.5	10.5	8.5	6.5	4	n/a
	50	15	13.5	11.5	9	6.5	4.5	n/a
	75	18.5	17	14	11	8	5.5	n/a
	100	19.5	18	15	12	8.5	6	n/a
RM1A60.. RM1B60.. RM1C60.. RM1E60..	50	15.5	14.5	12	9.5	7	5	n/a
RAM1A.. RAM1B.. RM1E..	25	14	12.5	10.5	8.5	6.5	4	2
	50	15	13.5	11.5	9	6.5	4.5	2.5
	75	18.5	17	14	11	8	5.5	3
	100	18.5	17	14	11	8	5.5	3
	125	19.5	18	15	12	8.5	6	3

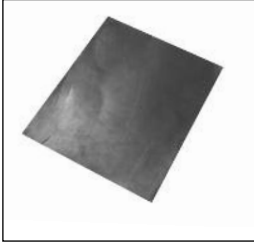
* per pole

Thermal interface = Thermal pad, **KK071CUT**

2x 1-phase SSR	Surrounding temperature							
	°C	20	30	40	50	60	70	80
	°F	68	86	104	122	140	158	176
RD..	1	1	1	1	1	1	1	n/a
	5	5	5	5	4.5	4	3	n/a
RA..L RA..T	10	9.5	9	7	5.5	3.5	2	n/a
	25	9.5	9	7	5.5	3.5	2	n/a
RA..	25	15.5	14.5	12	10	8	6	n/a
	50	17.5	16.5	14	11.5	9	6.5	n/a
	90	20	18.5	16	13	10	7.5	n/a
	110	19	17.5	14.5	11.5	8.5	6	n/a
RA60..	50	18	17	14.5	12	9.5	7	n/a
RA2A..*	25	8.5	7.5	6.5	5	3.5	2.5	n/a
	40	9	8.5	7	5.5	4	2.5	n/a
	25M	8.5	7.5	6.5	5	3.5	2.5	n/a
	40M	9	8	7	5.5	4	2.5	n/a
RS1A..	10	7.5	7	6	4.5	3.5	2.5	n/a
	25	13.5	12.5	10.5	8	6	4	n/a
	40	14.5	13.5	11	8.5	6.5	4.5	n/a
RS1A..E	25	8	7.5	6	4.5	3.5	2.5	n/a
	40	8	7.5	6	4.5	3.5	2	n/a
RM1A.. RM1B.. RM1C..	25	13.5	12.5	10.5	8	6	4	n/a
	50	14.5	13.5	11	8.5	6.5	4.5	n/a
	75	18	16.5	13.5	11	8	5.5	n/a
	100	19	17.5	14.5	11.5	8.5	6	n/a
RM1A60.. RM1B60.. RM1C60.. RM1E60..	50	15	14	11.5	9.5	7	4.5	n/a
RAM1A.. RAM1B.. RM1E..	25	13.5	12.5	10.5	8	6	4	2
	50	14.5	13.5	11	8.5	6.5	4.5	2.5
	75	18	16.5	13.5	11	8	5.5	3
	100	18	16.5	13.5	11	8	5.5	3
	125	19	17.5	14.5	11.5	8.5	6	3

Accessories

Thermal Pads



- Ordering key: **KK071CUT**
- Packing qty. 50 pcs.
- Suitable for 1-phase SSRs
- Dimensions: 35 x 43mm

Thermal Compound



- Ordering key: **HTS02S**
- 2ml syringe of silicone based thermal compound

DIN Rail Adaptor



- Ordering key: **SRWKITM5X10MM**
- M5x10mm PZ2 screws + washers
- Packing qty. 20pcs.