

# RS485/422 Interface ICs

**Y7465** = Product group; Product group discount Y 74 6\_

## MAXIM RS485/422 Interface ICs

Series: MAX\_  
Case: DIP, SO,  $\mu$ MAX

### New Products

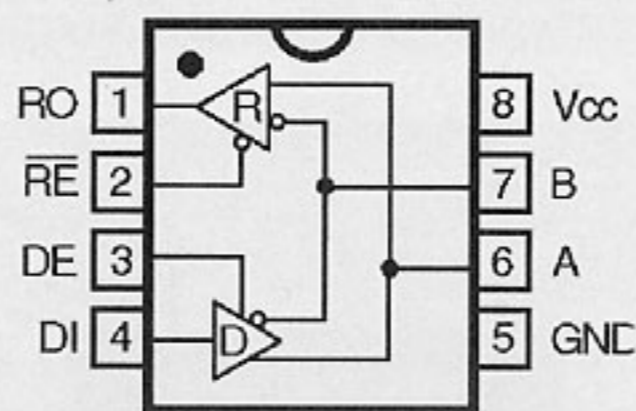
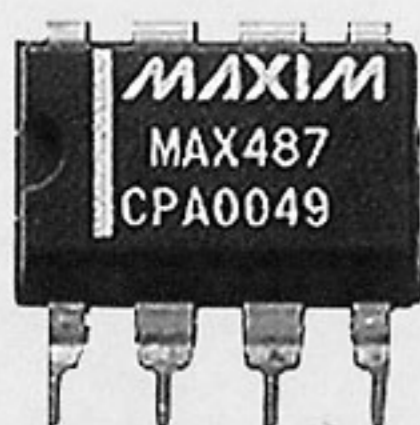
#### Terms of Delivery

Minimum order quantity: please see price list column "MOQ".  
Articles in bold print in stock, other articles available on request.

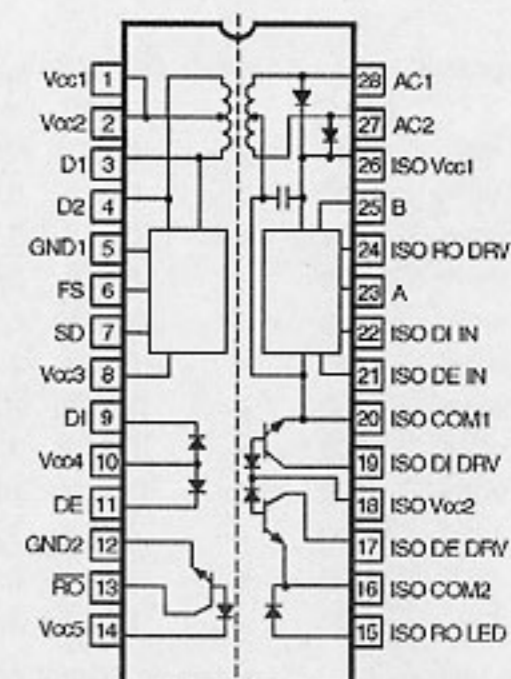
Manufacturer: Maxim

<http://www.maxim-ic.com>

Part Nr.	Part description
MAX481CPA+	RS485/422 Transc. 5V DIP8
MAX481CSA+	RS485/422 Transc. 5V SO8
MAX481ECPA+	RS485/422 Transc. 15kV ESD DIP8
MAX481ECSA+	RS485/422 Transc. 15kV ESD SO8
MAX483CPA+	RS485/422 Transc. 5V DIP8
MAX483CSA+	RS485/422 Transc. 5V SO8
MAX483ECPA+	RS485/422 Transc. 15kV ESD DIP8
MAX485CPA+	RS485/422 Transc. 5V DIP8
MAX485EPA+	RS485/422 Transc. -40/+85°C DIP8
MAX485CSA+	RS485/422 Transc. 5V SO8
MAX485ECPA+	RS485/422 Transc. 15kV ESD DIP8
MAX485ECSA+	RS485/422 Transc. 15kV ESD SO8
MAX487CPA+	RS485/422 Transc. 5V DIP8
MAX487CSA+	RS485/422 Transc. 5V SO8
MAX487ECPA+	RS485/422 Transc. 15kV ESD DIP8
MAX487ECSA+	RS485/422 Transc. 15kV ESD SO8
MAX487EESA+	RS485/422 Transc. -40/+85°C SO8
MAX488CPA+	RS485/422 Transc. 5V DIP8
MAX488CSA+	RS485/422 Transc. 5V SO8
MAX489CPD+	RS485/422 Transc. 5V DIP14
MAX489ECPD+	RS485/422 Transc. 15kV ESD DIP14
MAX490CPA+	RS485/422 Transc. 5V DIP8
MAX490CSA+	RS485/422 Transc. 5V SO8
MAX490ECPA+	RS485/422 Transc. 15kV ESD DIP8
MAX491CPD+	RS485/422 Transc. 5V DIP14
MAX491CSD+	RS485/422 Transc. 6V SO14
MAX491ECPD+	RS485/422 Transc. 15kV ESD DIP14
MAX1480ACPI+	RS485/422 Data Interf. isol. DIP28 600mil
MAX1480BCPI+	RS485/422 Data Interf. isol. DIP28 600mil
MAX1483CPA+	RS485/422 Transc. 5V 20 $\mu$ A DIP8
MAX1487CPA+	RS485/422 Transc. 5V DIP8
MAX1487CSA+	RS485/422 Transc. 5V SO8
MAX1487ECPA+	RS485/422 Transc. 15kV ESD DIP8
MAX1487ECSA+	RS485/422 Transc. 15kV ESD SO8
MAX1490BCPG+	RS485/422 Data Interf. isol. DIP24 600mil
MAX3082CPA+	RS485/422 Transc. HS DIP8
MAX3082CSA+	RS485/422 Transc. HS SO8
MAX3089CSD+	RS485/422 Transc. HS SO14
MAX3095CPE+	RS485/422 4xRec. 15kV ESD DIP16
MAX3440ECPA+	RS485/422 Transc. 60V Fault-Prot DIP8
MAX3442ECPA+	RS485/422 Transc. 60V Fault-Prot DIP8
MAX3469CSA+	RS485/422 Transc. 5V SO8
MAX3471CUA+	RS485/422 Transc. 1,6 $\mu$ A $\mu$ MAX8
MAX3483CPA+	RS485/422 Transc. 3,3V DIP8
MAX3485CPA+	RS485/422 Transc. 3,3V DIP8



MAX483\_, MAX485\_, MAX487\_



MAX1480\_