

億力光電股份有限公司

EVERVISION ELECTRONICS CO., LTD.

Product Specification For LCD Module

(KVPF-7B-002-16)

Model NO. : VGG322423-6UFLWA(RoHS)

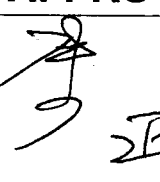

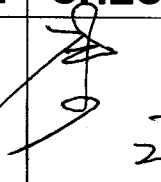

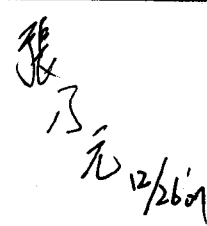
REVISION : 3

APPROVAL FOR SPECIFICATIONS ONLY

APPROVAL FOR SPECIFICATIONS AND SAMPLE

CUSTOMER : STD.	APPROVED BY :
-------------------------------	----------------------

EVERVISION LCM R&D CENTER

APPROVED BY	CHECKED BY	PREPARED BY	
 正 	 正 	楊 材 成 1/26/07	 張 元 12/26/07
DIRECTOR	MANAGER	Mechanism Engineer	Electronic Engineer

億力光電股份有限公司總公司
EVERVISION ELECTRONICS LTD.
 台北縣中和市建一路 186 號 12 樓
 12F, NO.186, JIAN 1st RD., CHUNG HO CITY,
 TAIPEI HSIEN, TAIWAN, R.O.C
 TEL : +886 2 8227-2788
 FAX : +886 2 8227-2789

億力光電股份有限公司台中分公司
EVERVISION ELECTRONICS(T.C) LTD.
 台中縣潭子鄉台中加工出口區建國路 19 號
 NO.19, CHIEN KUO ROAD, T.E.P.Z TANTZE
 427 TAICHUNG HSIEN TAIWAN R.O.C
 TEL : +886 4 2532-8889
 FAX : +886 4 2532-6689

東莞莞城德寶電子廠
EVERVISION ELECTRONICS(B.V.I) LTD.
 廣東省東莞市城區東縱大道天寶路 9 號
 NO.9, Tian Bao Rd., Dong Zong St., Dong Guan City
 Guang Dong, China.
 TEL : +86 769 2220 5258
 FAX : +86 769 2220 7258

勁佳光電(昆山)有限公司
EVERVISION ELECTRONICS(KUNSHAN) LTD.
 江蘇省昆山市玉山鎮高科技工業園城北路 8 號
 NO.8, Chengbei Rd., Hi-Tech Industry Park,
 Yushan Town, Kunshan City, Jiangsu, China.
 TEL : +86 512 5778 7288
 FAX : +86 512 5777 0688

<http://www.evervisionlcd.com>

EVERVISION	MODEL NO.		PAGE
	VGG322423-6UFLWA	SPEC SAMPLE	2

1. Table of Contents

No.	Contents	Page
1	Table of Contents	2
2	Record of Revisions	3
3	Module Numbering System	4
4	Application	5
5	Features	5
6	General Specifications	5
7	Absolute Maximum Ratings	6
8	Electrical Characteristics	7
9	Block Diagram	10
10	Input / Output Terminals Pin Assignment	11
11	Interface Timing	14
12	Instruction Description	18
13	Optical Characteristics	19
14	Reliability Test	22
15	Packaging	23
16	Precautions	24
17	Outline Drawing	26
18	Definition of Labels	27
19	Incoming Inspection Standards	29

EVERVISION	MODEL NO.		PAGE
	VGG322423-6UFLWA	SPEC SAMPLE	4

3. Module Numbering System

V G G 3224 23 – 6 U F L W A

Serial No.: A~Z

Backlight Color:
N: Without Backlight;
A: Amber; **B:** Blue; **G:** Green;
L: Yellow; **O:** Orange; **R:** Red;
W: White; **Y:** YellowGreen;
X: Others

Backlight Type:
N: Without Backlight; **E:** EL; **F:** CCFL;
L: General LED; **H:** High NTSC LED ;
R: RGB LED; **X:** Others

LCD Model:
T: TN; **H:** HTN; **G:** STN Gray; **Y:** STN Yellow;
B: STN Blue; **W:** FSTN Black/White;
C: CSTN; **F:** TFT; **O:** OLED; **P:** PLED;
L: LTPS; **N:** Others

LCD Type:
R: Reflective/Positive;
S: Reflective/Negative ;
F: Transflective/Positive ;
G: Transflective/Negative ;
U: Transmissive/Positive ;
T: Transmissive/Negative ; **N:** Others

Temperature Range & View Direction:
 General Purpose : **1:**6H **2:**12H **3:**3H **4:**9H **5:**Others
 High Performance: **6:**6H **7:**12H **8:**3H **9:**9H **0:**Others

STD Product Serial No.: 01~99
 Customer Made Serial No.: A1,A2... A9,B1,B2... B9,C1..

Display Function:
 Segment Number / Characters Lines / Column and Row Dots
 / Length * Width of Other

Display Type:
C: Character Type; **G:** Graphic Type; **S:** Segment Type; **O:** Other

Package Type:
B: COB; **F:** COF; **G:** COG; **H:** Heat Seal; **S:** SMT; **T:** TAB; **O:** Others

EVERVISION	MODEL NO.		PAGE
	VGG322423-6UFLWA	SPEC SAMPLE	5

4. Application

This specification is applied to the 3.5 inch QVGA supported TFT-LCD module With Transparent Touch Panel, and can display 262k colors. The module is designed for PMP, GPS, DMB, other electronic products which require flat panel display of digital signal interface, and used as the input devices for general electric appliances via both finger and pen-entry.

5. Features

- QVGA (320×240 pixels) resolution.
- Digital 24 bit parallel RGB + Serial Peripheral Interface (SPI).
- Line inversion mode with stripe type.
- On-chip voltage generator
- SYNC mode is supported for digital RGB input data format.
- Transparent Touch panel
 - 4-Wire
 - Analog Resistive

6. General Specifications

Item	Specifications	Unit
Screen Size	3.5 (Diagonal)	inch
Display Format	320RGB(H)×240(V)	dot
Active Area	70.08(H)×52.56(V)	mm
Dot Pitch	0.073(H)×0.219(V)	mm
Pixel Configuration	RGB Vertical Stripe	-
Display Mode	TN Type Transmissive Mode Normally White	-
Surface Treatment	Anti-Glare	-
Viewing Direction	6 O'clock (The Gray Inversion will appear at this direction)	-
Outline Dimension	76.84(W)×63.84(H)×4.4(D)	mm
DC to DC circuit	Build-in	-
Weight	(41.5)	g

EVERVISION	MODEL NO.		PAGE
	VGG322423-6UFLWA	SPEC SAMPLE	6

7. Absolute Maximum Ratings

7.1 Absolute Ratings of Environment

Item	Symbol	Value		Unit	Note
		Min.	Max.		
Storage Temperature	T _{ST}	-30	+80	°C	(1)
Operating Ambient Temperature	T _{OP}	-20	+70	°C	(1)

Note (1) Temperature and relative humidity range are shown in the figure below.

(a) 90%RH Max. ($T_a \leq 40^\circ\text{C}$).

(b) Wet-bulb temperature should be 39°C Max. ($T_a > 40^\circ\text{C}$).

(c) No condensation.

7.2 Electrical Absolute Ratings

7.2.1 TFT-LCD Module

($T_a = 25 \pm 2^\circ\text{C}$, GND = $V_{SS} = 0\text{V}$)

Item	Symbol	Value		Unit	Note
		Min.	Max.		
Digital Power Supply Voltage	V _{CC}	$V_{SS} - 0.3$	5.0	V	-

7.2.2 Backlight Unit

($T_a = 25 \pm 2^\circ\text{C}$)

Item	Symbol	Value		Unit	Note
		Min.	Max.		
Forward current	I _f	-	(30)	mA	(1)
Reverse voltage	V _r	-	(30)	V	(1)

Note (1) Permanent damage to the device may occur if maximum values are exceeded or reverse voltage is loaded.

8. Electrical Characteristics

8.1 TFT-LCD Module

(Ta=25±2°C)

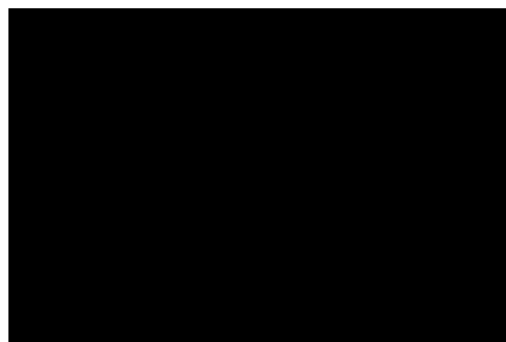
Item	Symbol	Value			Unit	Note
		Min.	Typ.	Max.		
Digital Power Supply Voltage	V _{CC}	2.5	3.3	3.6	V	-
Input High Threshold Voltage	V _{IH}	0.8V _{CC}	-	V _{CC}	V	-
Input Low Threshold Voltage	V _{IL}	0	-	0.2V _{CC}	V	-

(GND=V_{SS}=0V)

Parameter	SYMBOL	Condition	Min	Typ	Max	Unit	Remarks
Digital Current	I _{VCC}	V _{CC} = 3.3V	-	15.6	22.0	mA	(1)
Total Power Consumption	PC	V _{CC} = 3.3V	-	51.48	72.6	mW	(1)

Note (1) The specified power consumption is under the conditions at V_{CC}=3.3V, F_V=60Hz, whereas a power dissipation check pattern below is displayed.

Black Pattern / 0 Gray



Active Area

8.2 Backlight Unit

($T_a=25\pm 2^\circ\text{C}$)

Item	Symbol	Value			Unit	Note
		Min.	Typ.	Max.		
LED Voltage	VL	-	(19.5)	-	V	(1)
LED Current	IL	-	(20)	-	mA	(1)
Power Consumption	P_{BL}	-	(390)	-	mW	(1)

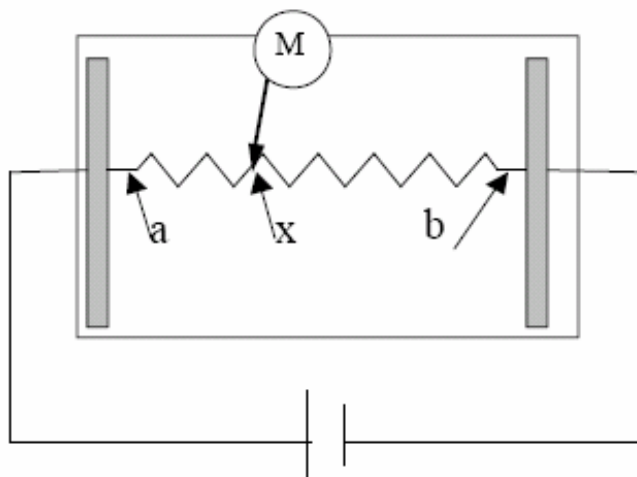
Note (1) The driving design of backlight unit is dependent on serial consideration of six LEDs.

8.3 Transparent Touch panel

Item		Value			Unit	Note
		Min.	Typ.	Max.		
Operating Voltage		-	5	-	V	-
Terminal Resistance	X-direction	250	-	800	Ω	At connector
	Y-direction	150	-	500	Ω	At connector
Insulation Resistance		$\geq 20\text{M}\Omega$				at DC25V
Chatting		$\leq 10\text{ms}$				-
Linearity		$\leq 1.5\%$				(1)

Note(1): Measurement condition of Linearity

Linearity Definition



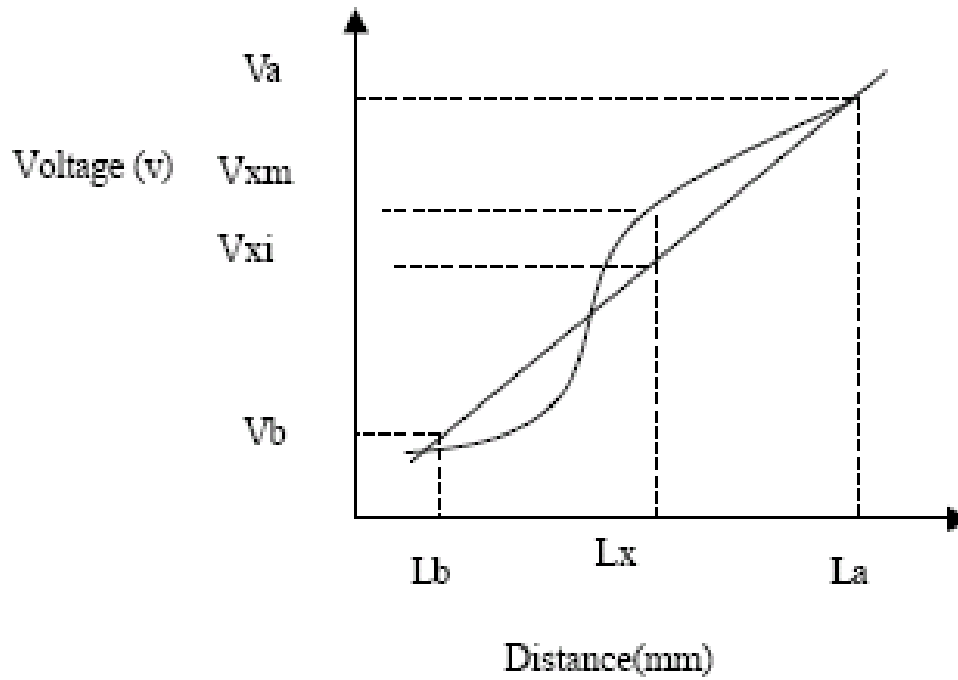
V_a : maximum voltage in the active area of touch panel

V_b: minimum voltage in the active area of touch panel

X : random measuring point

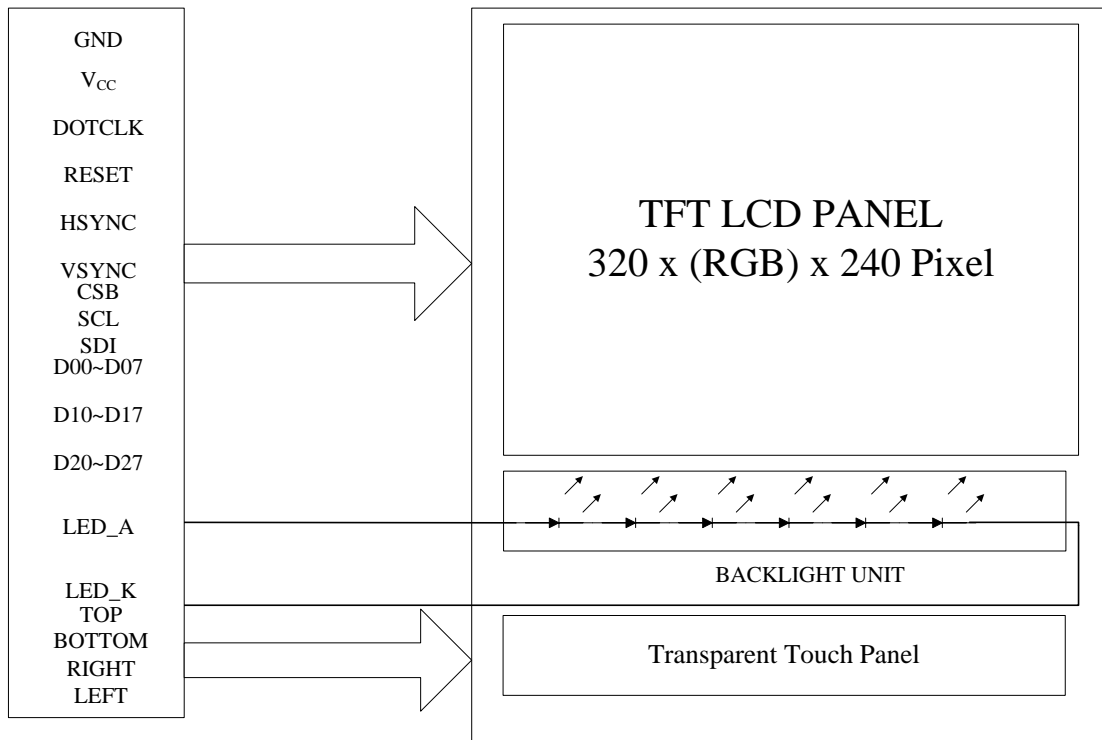
V_{xm}: Actual voltage of L_x point

V_{xi} : Theoretical voltage of L_x point



$$\text{Linearity} : \left[\frac{1}{2} V_{xi} - V_{xm} \right] / (V_a - V_b) * 100\%$$

9. Block Diagram TFT-LCD Module with Backlight Unit



10. Input / Output Terminals Pin Assignment

10.1 TFT-LCD Module

Pin No.	Symbol	I/O	Description
1	LED_K	I	LED_cathode
2	LED_K	I	LED_cathode
3	LED_A	I	LED_anode
4	LED_A	I	LED_anode
5	GND	I	Ground
6	X1	I	X_Right
7	Y1	I	Y_Bottom
8	X2	I	X_Left
9	Y2	I	Y_Up
10	GND	I	Ground
11	NC	I	No connection
12	NC	I	No connection
13	NC	I	No connection
14	RESET	I	Reset
15	CSB	I	CHIP SELECT
16	SCL	I	Serial Clock
17	SDI	I	Serial Data
18	D20	I	Blue data(LSB)
19	D21	I	Blue data
20	D22	I	Blue data
21	D23	I	Blue data
22	D24	I	Blue data
23	D25	I	Blue data
24	D26	I	Blue data
25	D27	I	Blue data(MSB)
26	D10	I	Green data(LSB)
27	D11	I	Green data
28	D12	I	Green data
29	D13	I	Green data
30	D14	I	Green data
31	D15	I	Green data
32	D16	I	Green data

Pin No.	Symbol	I/O	Description
33	D17	I	Green data(MSB)
34	D00	I	Red data(LSB)
35	D01	I	Red data
36	D02	I	Red data
37	D03	I	Red data
38	D04	I	Red data
39	D05	I	Red data
40	D06	I	Red data
41	D07	I	Red data(MSB)
42	HSYNC	I	Horizontal synchronous signal
43	VSYNC	I	Vertical synchronous signal
44	DOTCLK	I	Data Colck
45	NC	I	No connection
46	NC	I	No connection
47	V _{CC}	I	Vdigital
48	V _{CC}	I	Vdigital
49	NC	I	No connection
50	NC	I	No connection
51	NC	I	No connection
52	NC	I	No connection
53	NC	I	No connection
54	NC	I	No connection
55	NC	I	No connection
56	NC	I	No connection
57	NC	I	No connection
58	NC	I	No connection
59	GND	I	Ground
60	GND	I	Ground

10.2 Color Data Input Assignment

The brightness of each primary color(red, green and blue) is based on the 8 bit gray scale data input for the color. The higher the binary input, the brighter the color. The table provides the assignment of color versus data input.

Color		Data Signal																							
		Red								Green								Blue							
		D07	D06	D05	D04	D03	D02	D01	D00	D17	D16	D15	D14	D13	D12	D11	D10	D27	D26	D25	D24	D23	D22	D21	D20
Basic Colors	Black	0	0	0	0	0	0	0	0	0	0	0	0	0	0	0	0	0	0	0	0	0	0	0	
	Red	1	1	1	1	1	1	1	1	0	0	0	0	0	0	0	0	0	0	0	0	0	0	0	
	Green	0	0	0	0	0	0	0	0	1	1	1	1	1	1	1	0	0	0	0	0	0	0	0	
	Blue	0	0	0	0	0	0	0	0	0	0	0	0	0	0	0	1	1	1	1	1	1	1	1	
	Cyan	0	0	0	0	0	0	0	0	1	1	1	1	1	1	1	1	1	1	1	1	1	1	1	
	Magenta	1	1	1	1	1	1	1	1	0	0	0	0	0	0	0	0	1	1	1	1	1	1	1	
	Yellow	1	1	1	1	1	1	1	1	1	1	1	1	1	1	1	0	0	0	0	0	0	0	0	
	White	1	1	1	1	1	1	1	1	1	1	1	1	1	1	1	1	1	1	1	1	1	1	1	
Gray Scale Of RED	Red(0) / Dark	0	0	0	0	0	0	0	0	0	0	0	0	0	0	0	0	0	0	0	0	0	0		
	Red(1)	0	0	0	0	0	0	0	1	0	0	0	0	0	0	0	0	0	0	0	0	0	0		
	Red(2)	0	0	0	0	0	0	1	0	0	0	0	0	0	0	0	0	0	0	0	0	0	0		
	:	:	:	:	:	:	:	:	:	:	:	:	:	:	:	:	:	:	:	:	:	:	:		
	:	:	:	:	:	:	:	:	:	:	:	:	:	:	:	:	:	:	:	:	:	:	:		
	Red(253)	1	1	1	1	1	1	0	1	0	0	0	0	0	0	0	0	0	0	0	0	0	0		
	Red(254)	1	1	1	1	1	1	1	0	0	0	0	0	0	0	0	0	0	0	0	0	0	0		
Red(255)	1	1	1	1	1	1	1	1	0	0	0	0	0	0	0	0	0	0	0	0	0	0			
Gray Scale Of Green	Green(0) / Dark	0	0	0	0	0	0	0	0	0	0	0	0	0	0	0	0	0	0	0	0	0	0		
	Green(1)	0	0	0	0	0	0	0	0	0	0	0	0	0	1	0	0	0	0	0	0	0	0		
	Green(2)	0	0	0	0	0	0	0	0	0	0	0	0	0	1	0	0	0	0	0	0	0	0		
	:	:	:	:	:	:	:	:	:	:	:	:	:	:	:	:	:	:	:	:	:	:	:		
	:	:	:	:	:	:	:	:	:	:	:	:	:	:	:	:	:	:	:	:	:	:	:		
	Green(253)	0	0	0	0	0	0	0	0	1	1	1	1	1	1	0	1	0	0	0	0	0	0		
	Green(254)	0	0	0	0	0	0	0	0	1	1	1	1	1	1	0	0	0	0	0	0	0	0		
Green(255)	0	0	0	0	0	0	0	0	1	1	1	1	1	1	1	0	0	0	0	0	0	0			
Gray Scale Of Blue	Blue(0) / Dark	0	0	0	0	0	0	0	0	0	0	0	0	0	0	0	0	0	0	0	0	0	0		
	Blue(1)	0	0	0	0	0	0	0	0	0	0	0	0	0	0	0	0	0	0	0	0	0	1		
	Blue(2)	0	0	0	0	0	0	0	0	0	0	0	0	0	0	0	0	0	0	0	0	0	1		
	:	:	:	:	:	:	:	:	:	:	:	:	:	:	:	:	:	:	:	:	:	:	:		
	:	:	:	:	:	:	:	:	:	:	:	:	:	:	:	:	:	:	:	:	:	:	:		
	Blue(253)	0	0	0	0	0	0	0	0	0	0	0	0	0	0	0	1	1	1	1	1	1	0		
	Blue(254)	0	0	0	0	0	0	0	0	0	0	0	0	0	0	0	1	1	1	1	1	1	0		
Blue(255)	0	0	0	0	0	0	0	0	0	0	0	0	0	0	0	1	1	1	1	1	1	1			

EVERVISION	MODEL NO.		PAGE
	VGG322423-6UFLWA	SPEC SAMPLE	14

11. Interface Timing

11.1 Input Signal Characteristics

11.1.1 Digital Parallel RGB Interface (960×240 resolution)

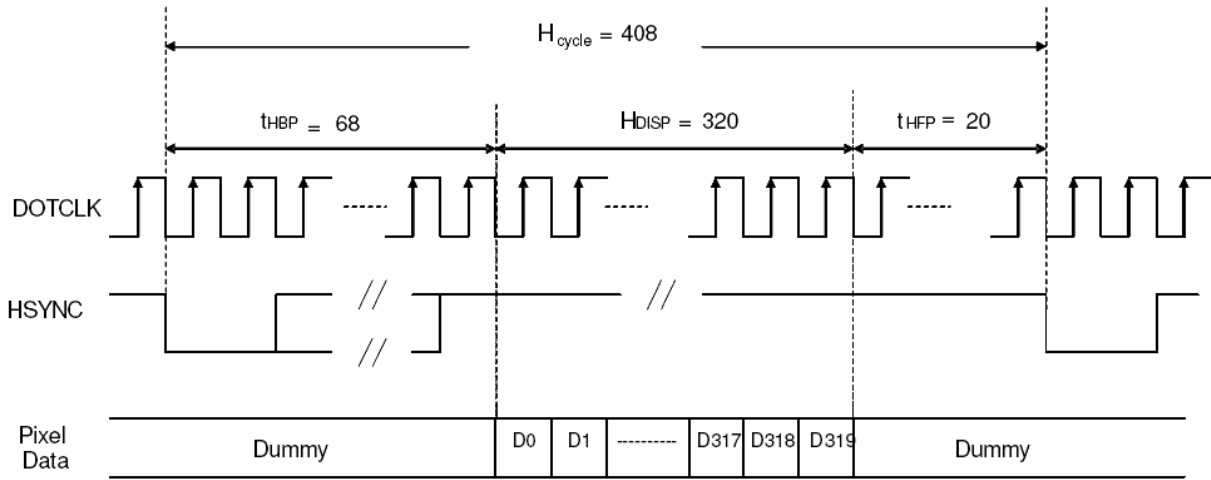
Characteristics	Symbol	Min.	Typ.	Max.	Unit
		24 bit	24 bit	24 bit	
DOTCLK Frequency	fDOTCLK	-	6.5	10	MHz
DOTCLK Period	tDOTCLK	100	154	-	ns
Horizontal Frequency (Line)	fH	-	14.9	22.35	KHz
Vertical Frequency (Refresh)	fV	-	60	90	Hz
Horizontal Back Porch	tHBP	-	68	-	tDOTCLK
Horizontal Front Porch	tHFP	-	20	-	tDOTCLK
Horizontal Data Start Point	tHBP	-	68	-	tDOTCLK
Horizontal Blanking Period	tHBP + tHFP	-	88	-	tDOTCLK
Horizontal Display Area	HDISP	-	320	-	tDOTCLK
Horizontal Cycle	Hcycle	-	408	450	tDOTCLK
Vertical Back Porch	tVBP	-	18	-	Lines
Vertical Front Porch	tVFP	-	4	-	Lines
Vertical Data Start Point	tVBP	-	18	-	Lines
Vertical Blanking Period	tVBP + tVFP	-	22	-	Lines
Vertical Display Area	NTSC	VDISP	240	-	Lines
	PAL		280(PALM=0)		
			288(PALM=1)		
Vertical Cycle	NTSC	Vcycle	262	350	Lines
	PAL		313		

11.1.2 SPI Interface

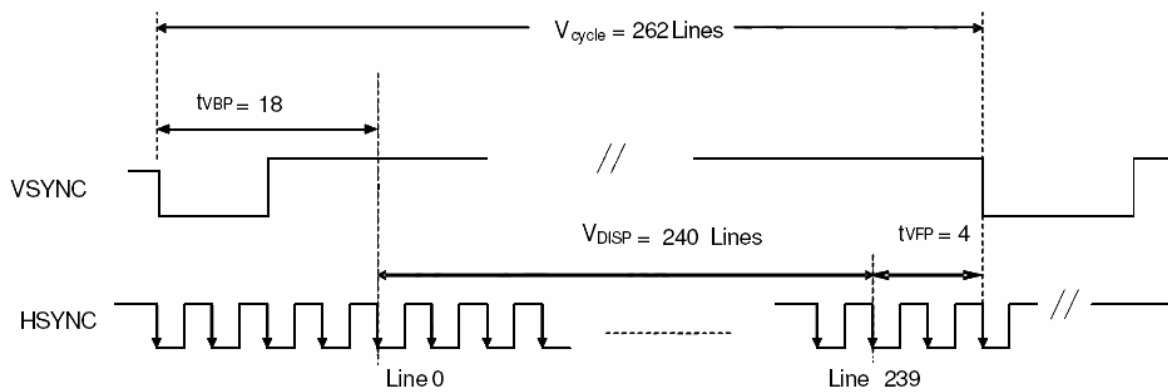
Characteristics	Symbol	Min.	Typ.	Max.	Unit
Serial Clock Frequency	fclk	-	-	20	MHz
Serial Clock Cycle Time	tclk	50	-	-	ns
Clock Low Width	tsl	25	-	-	ns
Clock High Width	tsh	25	-	-	ns
Clock Rising Time	trs	-	-	30	ns
Clock Falling Time	tfl	-	-	30	ns
Chip Select Setup Time	tcss	0	-	-	ns
Chip Select Hold Time	tcsh	10	-	-	ns
Chip Select High Delay Time	tcsd	20	-	-	ns
Data Setup Time	tds	5	-	-	ns
Data Hold Time	tdh	10	-	-	ns

11.2 Waveform

11.2.1 Digital Parallel RGB



Horizontal Data Transaction Timing

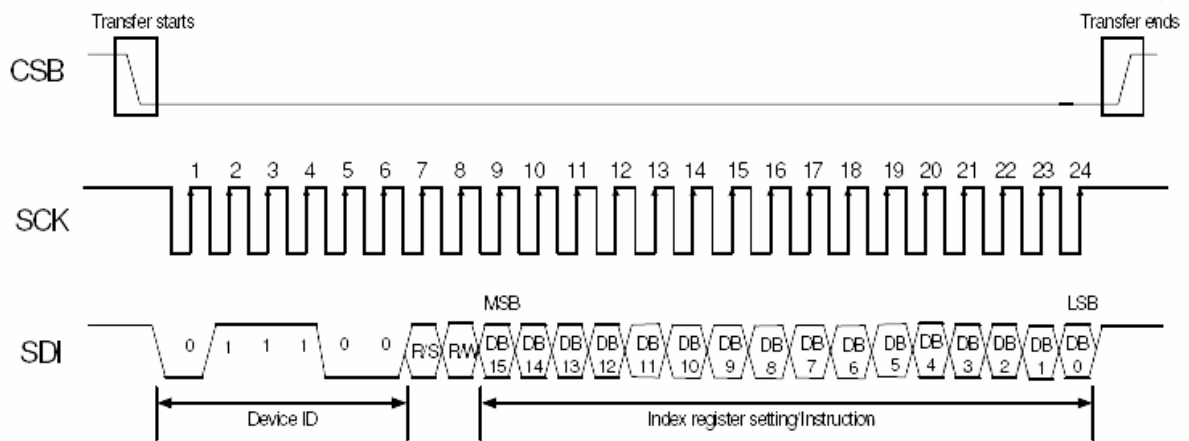


Vertical Data Transaction Timing

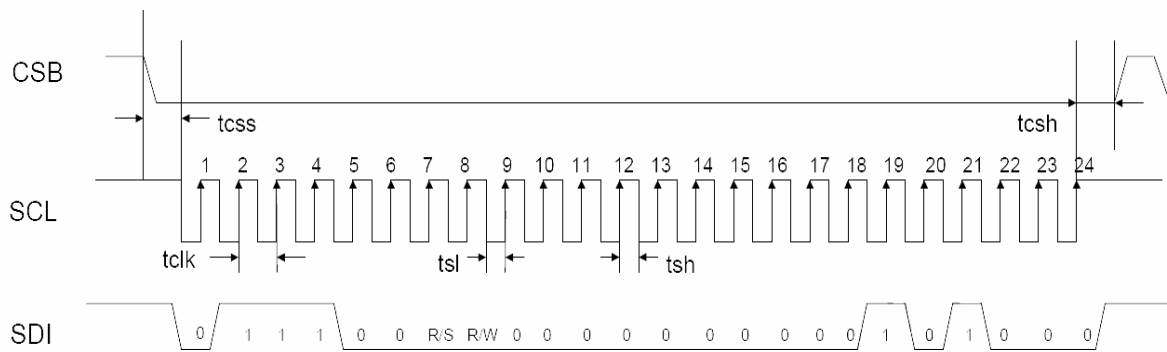
Data Transaction Timing in Parallel RGB (24 bit) Interface (SYNC Mode)

11.2.2 SPI

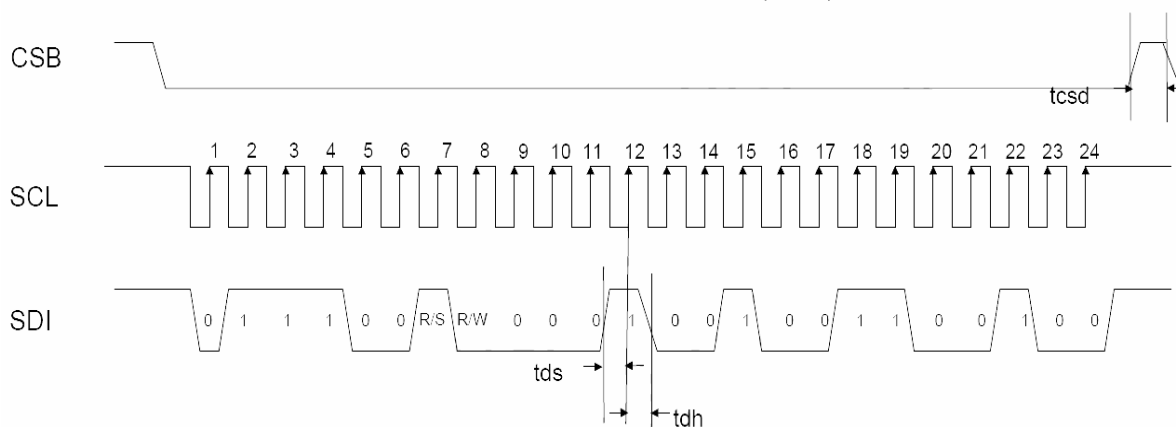
R/S	R/W	status
0	0	Write SPI address
1	0	Write SPI data



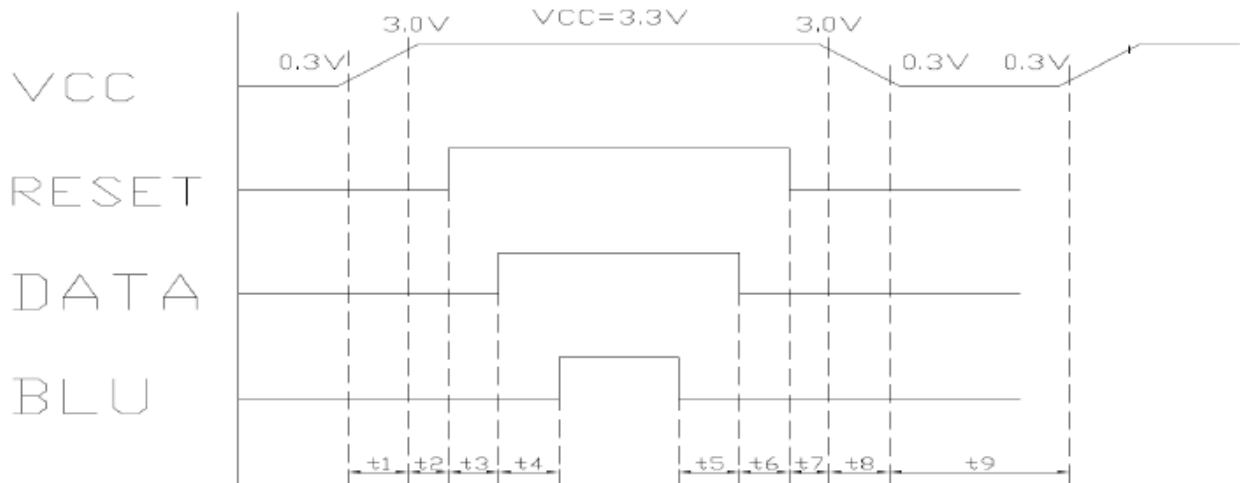
First Transmission (Register)



Second Transmission (Data)



11.3 Power On / Off Sequence



- | | | |
|-------------------|-------------------|-------------------------|
| $T1 \leq 10ms$ | $200ms \leq T5$ | $1 \text{ sec} \leq T9$ |
| $10\mu s \leq T2$ | $50ms \leq T6$ | |
| $50ms \leq T3$ | $10\mu s \leq T7$ | |
| $200ms \leq T4$ | $T8 \leq 10ms$ | |

12. Instruction Description SPI Command Table

Reg#	Register	R/W	R/S	IB15	IB14	IB13	IB12	IB11	IB10	IB9	IB8	IB7	IB6	IB5	IB4	IB3	IB2	IB1	IB0	
SR	Status Read	1	0	L7	L6	L5	L4	L3	L2	L1	L0	0	0	0	0	0	0	0	0	
R01h	Driver output control	0	1	0	RL	REV	PINV	BGR	SM	TB	CPE	0	0	0	0	0	0	0	0	
R02h	LCD driver AC control	0	1	0	0	0	0	0	0	B/C	0	0	0	0	0	0	0	0	0	
R03h	Power control (1)	0	1	DCT3	DCT2	DCT1	DCT0	BTF	BT2	BT1	BT0	DC3	DC2	DC1	DC0	AP2	AP1	AP0	0	
R04h	Data and color filter control	0	1	0	0	0	0	0	PALM	BLT1	BLT0	OEA1	OEA0	SEL2	SEL1	SEL0	SWD2	SWD1	SWD0	
R05h	Function control	0	1	GHN	XDK	GDIS	LPF	DEP	CKP	VSP	HSP	DEO	DIT	0	PWM	0	FB2	FB1	FB0	
R06h	Reserved	Reserved																		
R07h	Reserved	Reserved																		
R0Ah	Contrast/Brightness control	0	1	0	BR6	BR5	BR4	BR3	BR2	BR1	BR0	0	0	0	CON4	CON3	CON2	CON1	CON0	
R0Bh	Frame cycle control	0	1	NO1	NO0	SDT1	SDT0	0	EQ2	EQ1	EQ0	0	0	0	0	0	0	0	0	
R0Dh	Power control (2)	0	1	0	VRC2	VRC1	VRC0	0	0	VDS1	VDS0	0	0	VRH5	VRH4	VRH3	VRH2	VRH1	VRH0	
R0Eh	Power control (3)	0	1	0	0	1	VDV6	VDV5	VDV4	VDV3	VDV2	VDV1	VDV0	0	0	0	0	0	0	
R0Fh	Gate scan starting Position	0	1	0	0	0	0	0	0	0	0	SCN7	SCN6	SCN5	SCN4	SCN3	SCN2	SCN1	SCN0	
R16h	Horizontal Porch	0	1	XLIM8	XLIM7	XLIM6	XLIM5	XLIM4	XLIM3	XLIM2	XLIM1	XLIM0	0	0	0	0	0	0	0	
R17h	Vertical Porch	0	1	STH1	STH0	HBP6	HBP5	HBP4	HBP3	HBP2	HBP1	HBP0	VBP6	VBP5	VBP4	VBP3	VBP2	VBP1	VBP0	
R1Eh	Power control (4)	0	1	0	0	0	0	0	0	0	0	nOTP	VCM6	VCM5	VCM4	VCM3	VCM2	VCM1	VCM0	
R27h	Reserved	Reserved																		
R28h	Reserved	Reserved																		
R29h	Reserved	Reserved																		
R2Bh	Reserved	Reserved																		
R30h	γ control (1)	0	1	0	0	0	0	0	PKP 12	PKP 11	PKP 10	0	0	0	0	0	PKP 02	PKP 01	PKP 00	
R31h	γ control (2)	0	1	0	0	0	0	0	PKP 32	PKP 31	PKP 30	0	0	0	0	0	PKP 22	PKP 21	PKP 20	
R32h	γ control (3)	0	1	0	0	0	0	0	PKP 52	PKP 51	PKP 50	0	0	0	0	0	PKP 42	PKP 41	PKP 40	
R33h	γ control (4)	0	1	0	0	0	0	0	PRP 12	PRP 11	PRP 10	0	0	0	0	0	PRP 02	PRP 01	PRP 00	
R34h	γ control (5)	0	1	0	0	0	0	0	PKN 12	PKN 11	PKN 10	0	0	0	0	0	PKN 02	PKN 01	PKN 00	
R35h	γ control (6)	0	1	0	0	0	0	0	PKN 32	PKN 31	PKN 30	0	0	0	0	0	PKN 22	PKN 21	PKN 20	
R36h	γ control (7)	0	1	0	0	0	0	0	PKN 52	PKN 51	PKN 50	0	0	0	0	0	PKN 42	PKN 41	PKN 40	
R37h	γ control (8)	0	1	0	0	0	0	0	PRN 12	PRN 11	PRN 10	0	0	0	0	0	PRN 02	PRN 01	PRN 00	
R3Ah	γ control (9)	0	1	0	0	0	VRP 14	VRP 13	VRP 12	VRP 11	VRP 10	0	0	0	0	0	VRP 03	VRP 02	VRP 01	VRP 00
R3Bh	γ control (10)	0	1	0	0	0	VRN 14	VRN 13	VRN 12	VRN 11	VRN 10	0	0	0	0	0	VRN 03	VRN 02	VRN 01	VRN 00

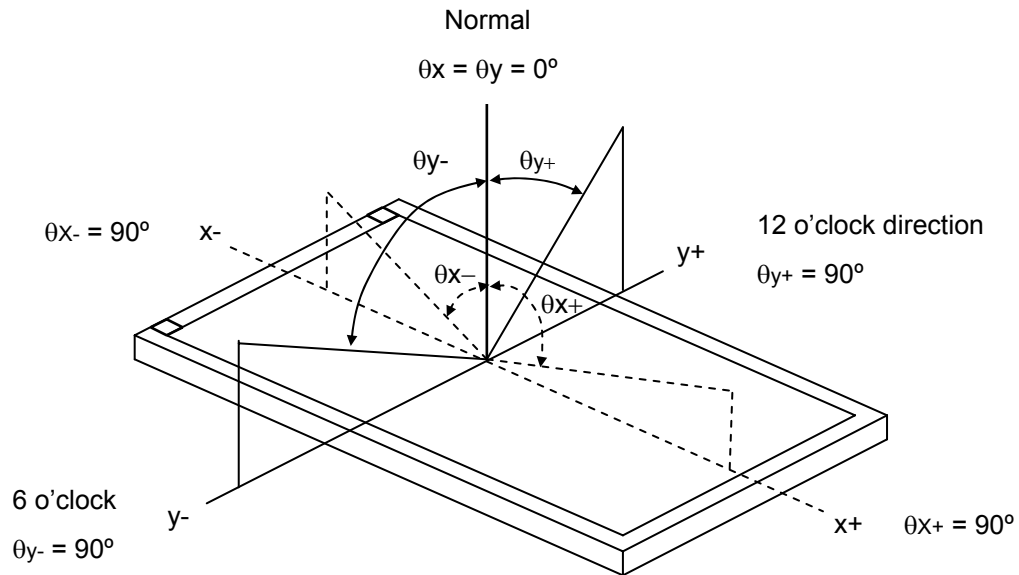
Note: * means don't care

13. Optical Characteristics

The optical characteristics should be measured in a dark environment (≤ 1 lux) or equivalent state with the methods shown in Note (4).

Item		Symbol	Conditions	Min.	Typ.	Max.	Unit	Note
Contrast Ratio		CR	$\theta_x=0^\circ, \theta_y=0^\circ$ Viewing Normal Angle	150	(350)	-	-	(2)
Response Time		T_{R+T_F}		-	50	-	ms	(3)
Luminance(Center)		Y		260	(285)	-	cd/m ²	(4)
Brightness uniformity		BUNI		80	-	-	%	(5)
Color Chromaticity	Red	Rx		0.510	0.560	0.610	-	(1),(4)
		Ry	0.370	0.420	0.470	-		
	Green	Gx	0.210	0.260	0.310	-		
		Gy	0.620	0.670	0.720	-		
	Blue	Bx	0.090	0.140	0.190	-		
		By	0.030	0.080	0.130	-		
	White	Wx	0.200	0.250	0.300	-		
		Wy	0.300	0.350	0.400	-		
Viewing Angle	Horizontal	θ_{x+}	CR \geq 10	55	(70)	-	deg.	
		θ_{x-}		55	(70)	-		
	Vertical	θ_{y+}		40	(55)	-		
		θ_{y-}		50	(70)	-		

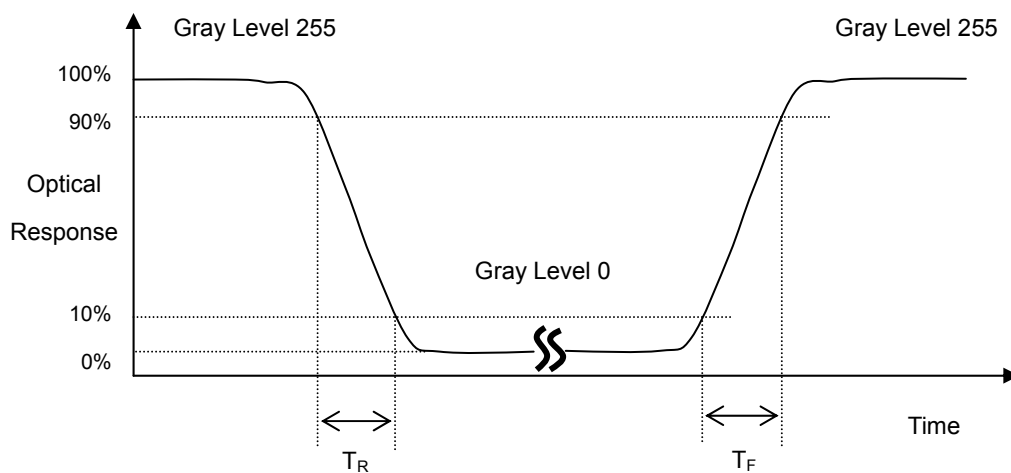
Note (1) Definition of Viewing Angle (θ_x, θ_y):



Note (2) Definition of Contrast Ratio (CR):

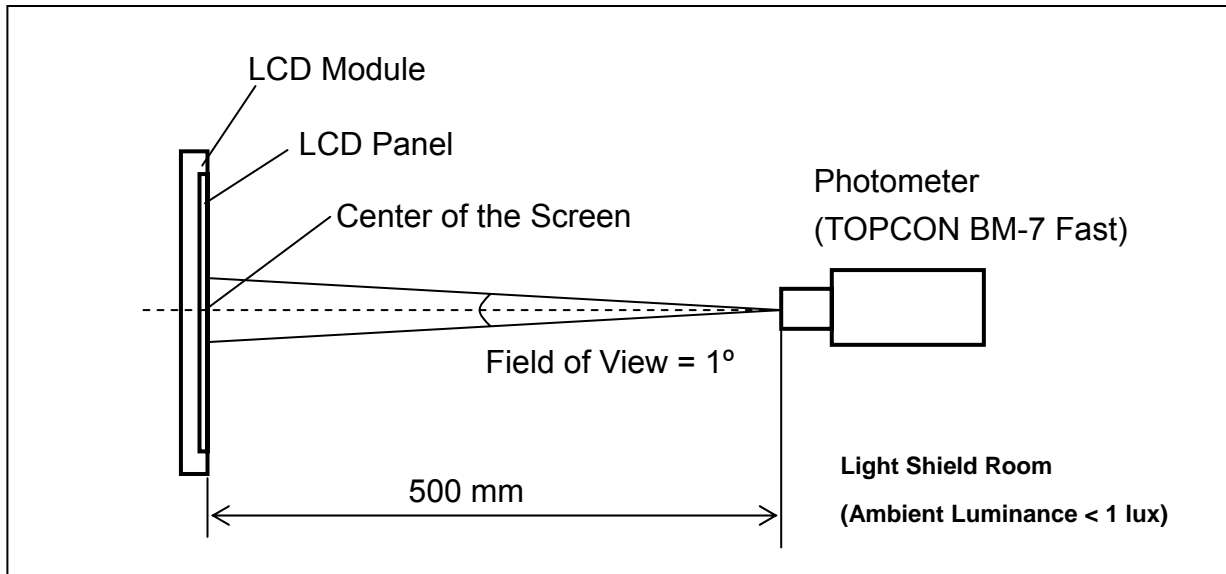
$$CR = \frac{\text{Luminance (brightness) all pixels "White"}}{\text{Luminance (brightness) all pixels "dark"}}$$

Note (3) Definition of Response Time (T_R, T_F):



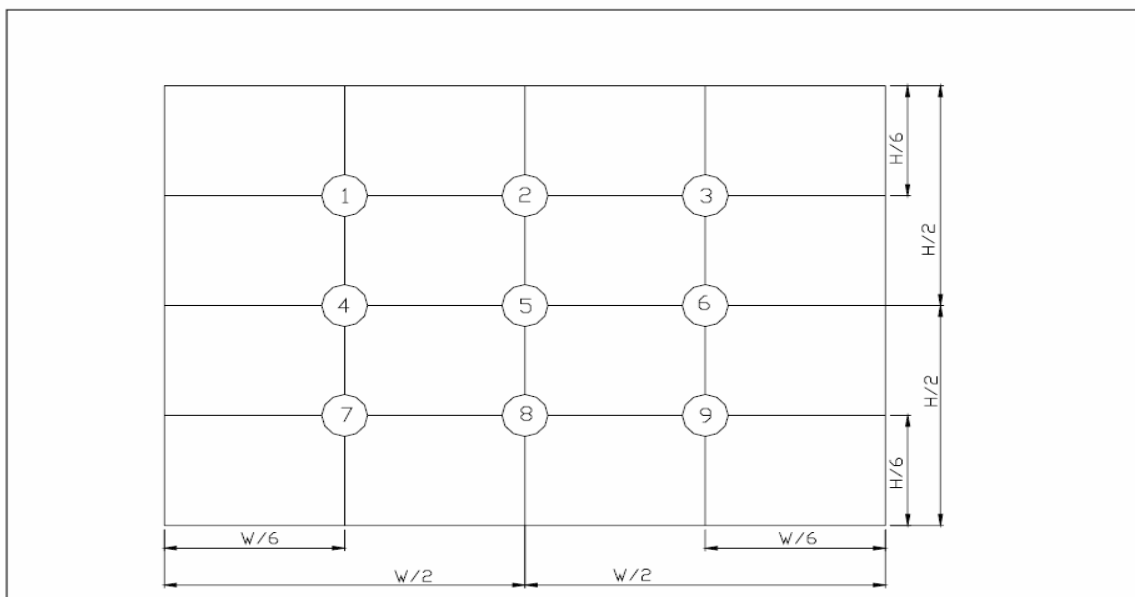
Note (4) Measurement Set-Up:

The LCD module should be stabilized at a given temperature for 30 minutes to avoid abrupt temperature change during measuring. In order to stabilize the luminance, the measurement should be executed after lighting Backlight for 30 minutes in a windless room.



Note (5) Definition of brightness uniformity

Brightness uniformity=(Min Luminance of 9 points)/(Max Luminance of 9 points)×100%



(單位 : mm)

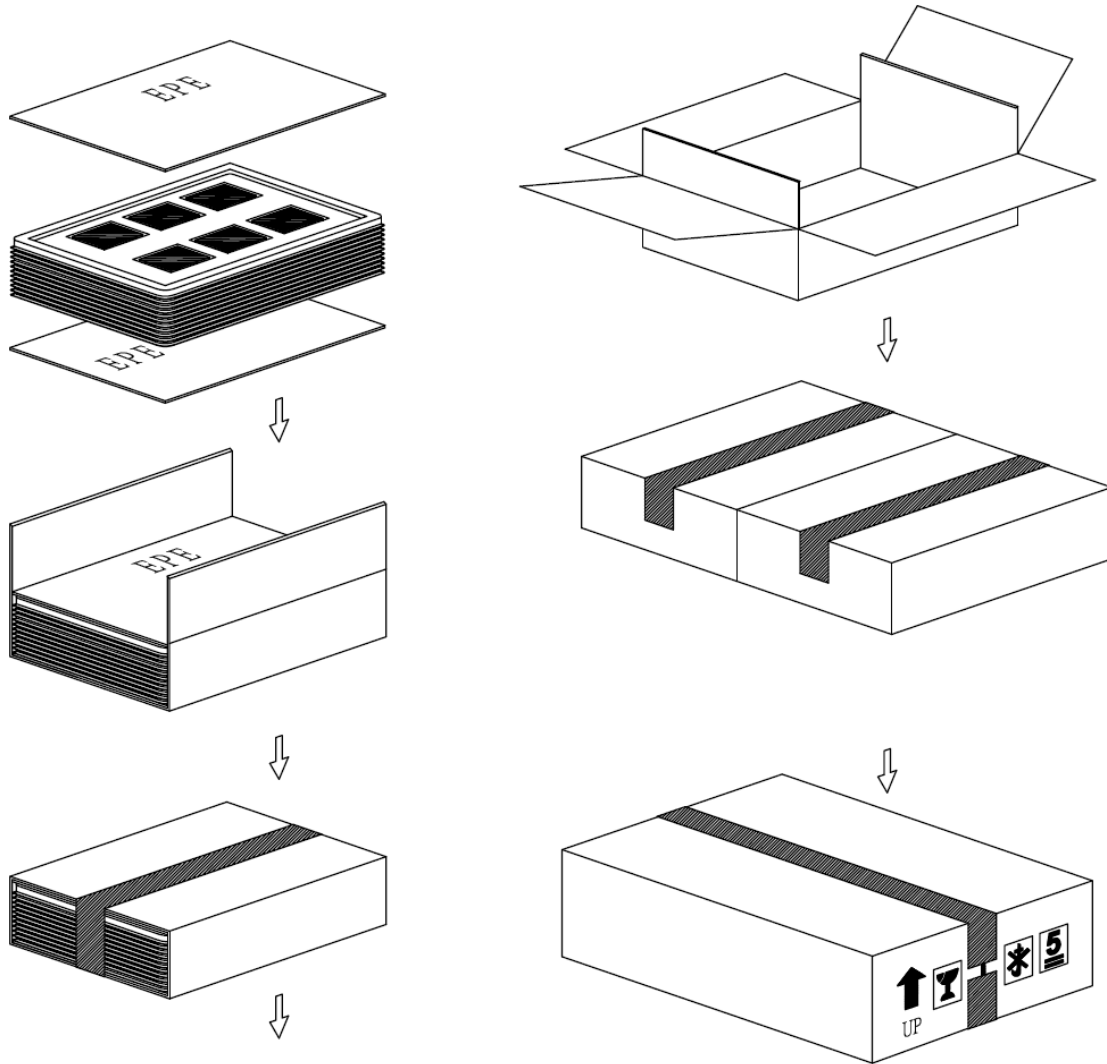
EVERVISION	MODEL NO.		PAGE
	VGG322423-6UFLWA	SPEC SAMPLE	22

14. Reliability Test

No.	Test Items	Test Condition	Remark
1	High Temperature Storage Test	T _a = 80°C 240 hours	-
2	Low Temperature Storage Test	T _a = -30°C 240 hours	-
3	High Temperature Operation Test	T _a = 70°C 240 hours	-
4	Low Temperature Operation Test	T _a = -20°C 240 hours	-
5	High Temperature and High Humidity Operation Test	T _a =60°C 90%RH 240 hours	-
6	Electro Static Discharge Test (non-operating)	-Panel Surface/Top Case : 150pF, 330Ω Air: ±15kV, Contact: ±8kV	-
7	Mechanical Shock Test (non-operating)	Half sine wave, 80G, 11ms 3 times shock of each six surfaces	-
8	Vibration Test (non-operating)	Sine wave, 10 ~ 55 ~ 10Hz, 3 axis, 2 hours/axis	-
9	Thermal Shock Test (non-operating)	-20°C (30min) ~ 70°C (30min), 100 cycles	-
10	Drop Test(with Carton)	Height: 80cm 1 corner, 3 edges, 6 surfaces	-

15. Packaging

Packing Method



PARTS LIST					
	ITEM	SIZE(LxWxH) unit:mm	MATERIAL	Q.T.Y	NOTE
1	TRAY	372.0x262.0x16.0	PS	28	
2	CARD BOARD(P01)	816.0x375.0x3.5	CARTON	2	
3	CARD BOARD(P02)	945.0x275.0x3.5	CARTON	2	
4	CARD BOARD(P03)	375.0x265.0x3.5	CARTON	4	
5	INTERNAL BOX(S01)	400.0x290.0x150.0	CARTON	2	
6	EXTERNAL BOX(L02)	600.0x420.0x170.0	CARTON	1	
7	PRODUCT	76.9x63.9x4.4		156	

EVERVISION	MODEL NO.		PAGE
	VGG322423-6UFLWA	SPEC SAMPLE	24

16. Precautions

16.1 Assembly and Handling Precautions

- (1) Do not apply rough force such as bending or twisting to the module during assembly.
- (2) It's recommended to assemble or to install a module into the user's system in clean working areas. The dust and oil may cause electrical short or worsen the polarizer.
- (3) Don't apply pressure or impulse to the module to prevent the damage of LCD panel and Backlight.
- (4) Always follow the correct power-on sequence when the LCD module is turned on. This can prevent the damage and latch-up of the CMOS LSI chips.
- (5) Do not plug in or pull out the I/F connector while the module is in operation.
- (6) Do not disassemble the module.
- (7) Use a soft dry cloth without chemicals for cleaning, because the surface of polarizer is very soft and easily scratched.
- (8) Moisture can easily penetrate into LCD module and may cause the damage during operation.
- (9) High temperature or humidity may deteriorate the performance of LCD module. Please store LCD module in the specified storage conditions.
- (10) When ambient temperature is lower than 10°C, the display quality might be reduced. For example, the response time will become slow.

16.2 Safety Precautions

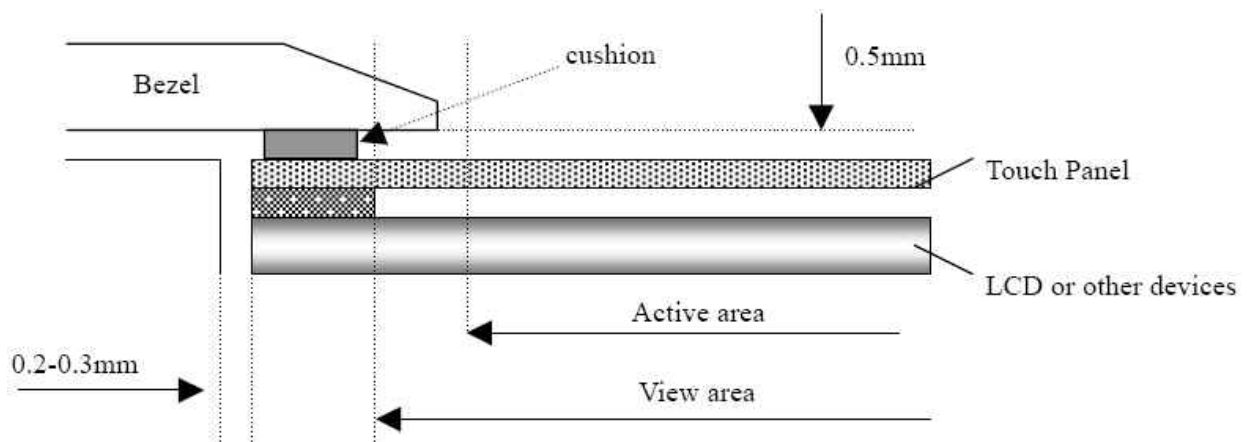
- (1) If the liquid crystal material leaks from the panel, it should be kept away from the eyes or mouth. In case of contact with hands, skin or clothes, it has to be washed away thoroughly with soap.
- (2) After the module's end of life, it is not harmful in case of normal operation and storage.

16.3 Cautions for installing and assembling

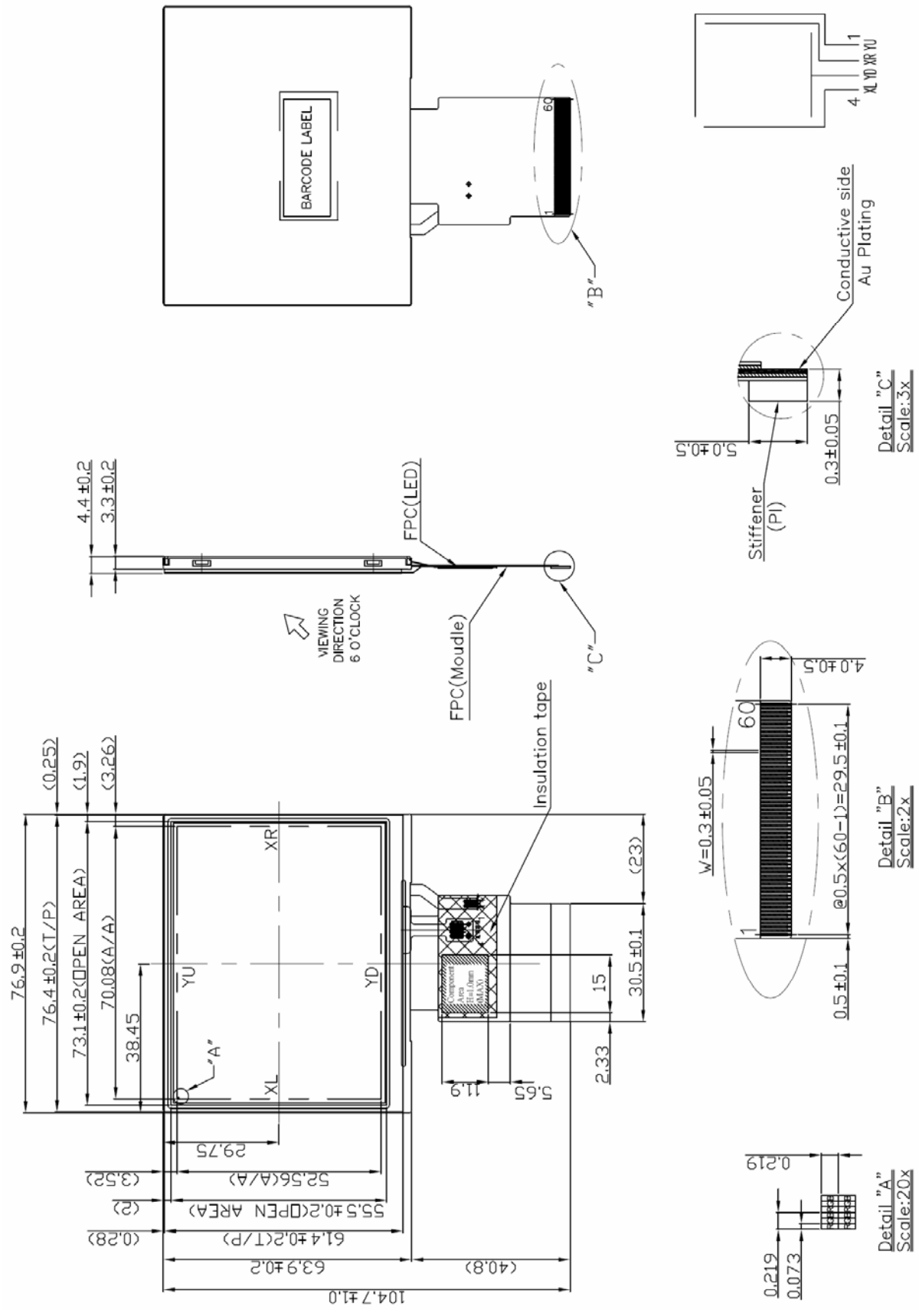
Bezel edge must be positioned in the area between the Active area and View area.

The bezel may press the touch screen and cause activation if the edge touches the active area. A gap of approximately 0.5mm is needed between the bezel and the top electrode.

It may cause unexpected activation if the gap is too narrow. There is a tolerance of 0.2 to 0.3mm for the outside dimensions of the touch panel and tail. A gap must be made to absorb the tolerance in the case and connector.



17.Outline Drawing



18. Definition of Labels

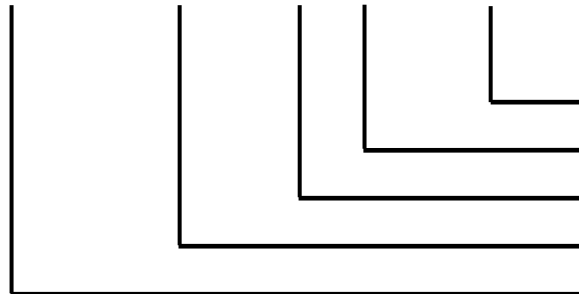
The bar code nameplate is pasted on each module as illustration, and its definitions are as following explanation.



(a) Module Name: VGG322423-6UFLWA

(b) Serial ID:

A B C D E F G H I J K L M



Serial No.
Revision Code
Factory Code
Manufactured Date
Screen Size

Serial ID includes the information as below:

(a) Screen size (Diagonal): Inch Code (ABCD)

3.5" → 0350

10.4" → 1040

(b) Manufactured Date: Year, Month, Day (EFG)

Year (E)

Year	2000	2001	2002	2003	2004	2005	2006	2007	2008	2009
Mark	0	1	2	3	4	5	6	7	8	9

EVERVISION	MODEL NO.		PAGE
	VGG322423-6UFLWA	SPEC SAMPLE	28

Month (F)

Month	Jan.	Feb.	Mar.	Apr.	May	Jun.	Jul.	Aug.	Sep.	Oct.	Nov.	Dec.
Mark	1	2	3	4	5	6	7	8	9	A	B	C

Day (G)

Day	1	2	3	4	5	6	7	8	9	10	11	12	13	14	15	16
Mark	1	2	3	4	5	6	7	8	9	A	B	C	D	E	F	G
Day	17	18	19	20	21	22	23	24	25	26	27	28	29	30	31	
Mark	H	I	J	K	L	M	N	O	P	Q	R	S	T	U	V	

(c) Factory Code (H):

For EVERVISION internal use.

(d) Revision Code (I):

Cover all the change, for example: 1: Rev.1, 2: Rev.2, 3: Rev.3...etc.

(e) Serial No. (JKLM):

Manufacturing sequence of product, for example: 0001~9999.

EVERVISION	MODEL NO.		PAGE
	VGG322423-6UFLWA	SPEC SAMPLE	29

19. Incoming Inspection Standards

19.1 The environmental condition of inspection

The environmental condition and visual inspection shall be conducted as below.

- (1) Ambient temperature $25 \pm 5^{\circ}\text{C}$
- (2) Humidity: $60 \pm 5\%$ RH
- (3) Viewing distance is approximately 35 ~ 40 cm
- (4) Viewing angle is normal to the LCD panel as Fig _1(10°)
- (5) Ambient Illumination: 300 ~ 500 Lux for external appearance inspection

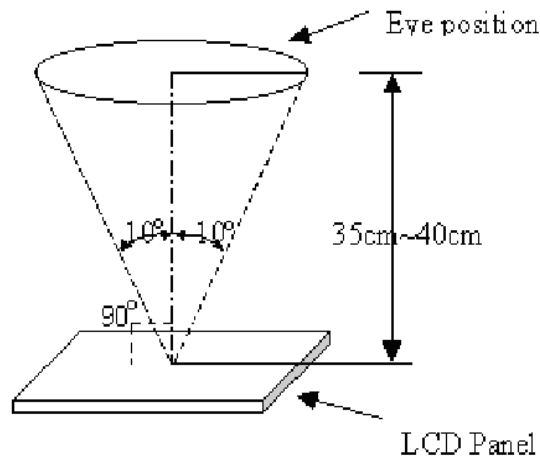


Fig _ 1

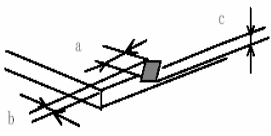
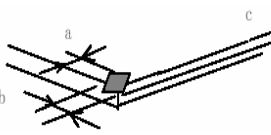
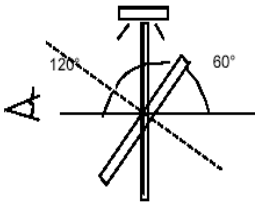
19.2 The defects classify of AQL as following:

Class of defects	AQL	Definition
Major	0.65%	It is defect that is likely to result in failure or to reduce materially the usability of the intended function.
Minor	1.5%	It is a defect that will not result in functioning problem with deviation classified.

19.3 Inspection Parameters

Item		Specification/Description			Note	
Display	Function	No Display			-	
		Malfunction			-	
Operating	Contrast ratio	Out of Spec			Note: 3	
	Line defect	No obvious Vertical and Horizontal line defect in bright , dark and colored.			-	
	Point Defect (red,green,blue,dark)	Item	Acceptable number			Note: 1、2、5、6、7
			A	B	Total	
		BRIGHT DOT	$N \leq 0$	$N \leq 2$	$N \leq 6$	
		DARK DOT	$N \leq 2$	$N \leq 4$		
		TOTAL DOT	$N \leq 2$	$N \leq 4$		
TWO ADJACENT DOT	NOT ALLOWED					
THREE OR MORE ADJACENT DOT	NOT ALLOWED					
External Inspection (non-operating)	Scratch on the polarizer	L(mm)	W(mm)	Acceptable number	Note:3	
		$L \leq 2.5$	$W \leq 0.1$	3		
		$L > 2.5$	$W > 0.1$	0		
	Scratch on the touch panel	L(mm)	W(mm)	Acceptable number	Note:3	
		$L \leq 5.0$	$W \leq 0.05$	Disregard		
		$L > 5.0$	$W > 0.05$	0		
	Dent or bubble on the polarizer	Dimension(mm)	Acceptable number			Note:4
		$D \leq 0.3$	3			
		$D \leq 0.1$	Disregard			
	Foreign material on the polarizer	Dimension(mm)	Acceptable number			Note:4
$D \leq 0.5$		2				
$D \leq 0.1$		Disregard				

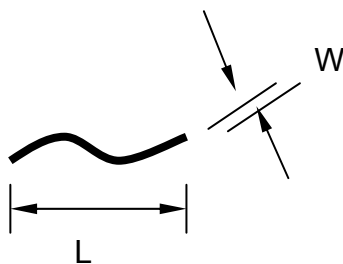
EVERVISION	MODEL NO.		PAGE
	VGG322423-6UFLWA	SPEC SAMPLE	31

Item	Specification/Description		Note	
Touch Panel	Glass chipping		$a \leq 3.0 \text{ mm}$ $b \leq 3.0 \text{ mm}$ $c \leq t$ (t : Glass think)	Note:8
	Glass chipping		$a \leq 6.0 \text{ mm}$ $b \leq 2.0 \text{ mm}$ $c \leq t$ (t : Glass think)	Note:8
	Newton-ring	(In case of doubtful situations) Observe on 60° from the product surface under a while Fluorescent lamp (3-wavelength lamp). 	Average diameter $\leq 15\text{mm}$ Disregard. $> 15\text{mm}$ Not allowed.	Note:8

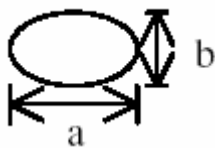
Note1. Distance between point defect distance should be large than 5 mm.

Note2. The definition of dot defect : The dot defect was judged after repair and the size of a defective dot over 1/2 of whole dot is regarded as one defective dot.

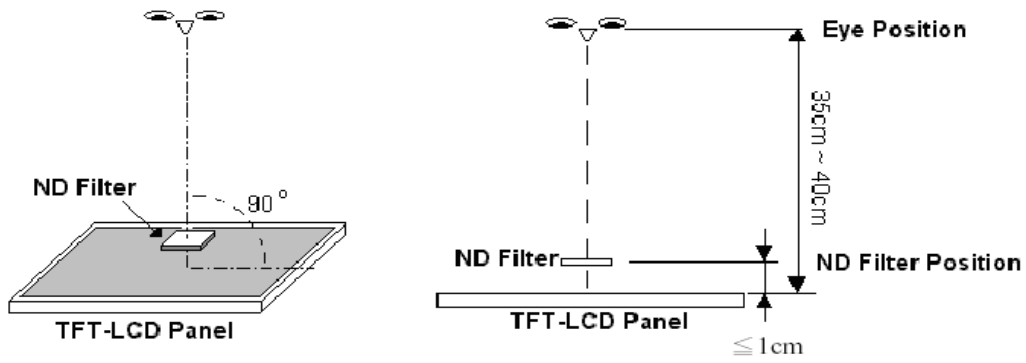
Note3.



Note4. D : Diameter $D=(a+b)/2$



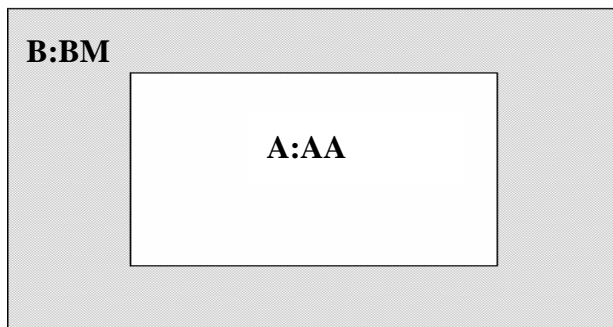
Note5. Bright dot is defined through 6% transmission ND Filter as following.



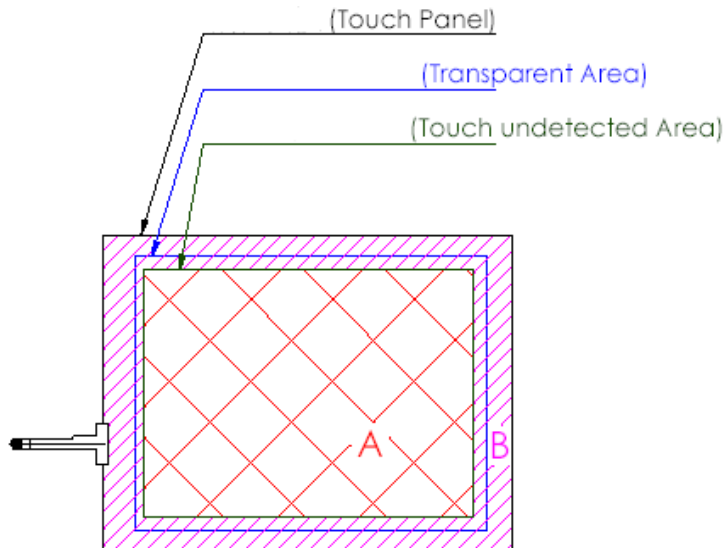
Note6. ADJACENT DOT



Note7.



Note8.



A area : Without any defect point effect on normal operation.

B area : None-specify

19.4. Handling of LCM

- (1) Don't give external shock.
- (2) Don't apply excessive force on the surface.
- (3) Liquid in LCD is hazardous substance. Must not lick and swallow. when the liquid is attach to your hand, skin, cloth etc. Wash it out thoroughly and immediately.
- (4) Don't operate it above the absolute maximum rating.
- (5) Don't disassemble the LCM.