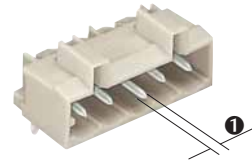
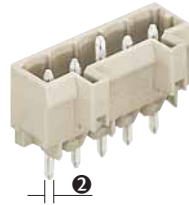
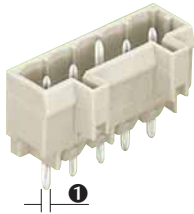


6 MULTI CONNECTION SYSTEM MIDI

Headers with Solder Pins, 100% Protected against Mismatching, Pin Spacing 5 mm / 0.197 in

Pin spacing 5 mm/0.197 in, light grey 250 V/4 kV/3 300 V, 10 A 12 A 300 V, 10 A	Pin spacing 5 mm/0.197 in, light grey 250 V/4 kV/3 300 V, 15 A 16 A 300 V, 15 A	Pin spacing 5 mm/0.197 in, light grey 250 V/4 kV/3 300 V, 10 A 12 A 300 V, 10 A
*	*	*

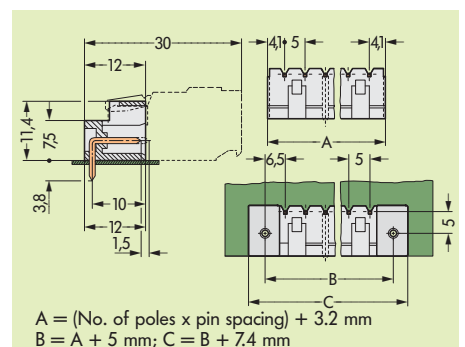
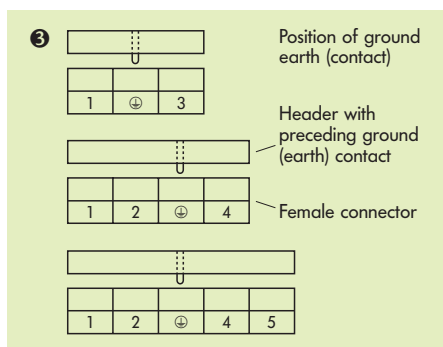
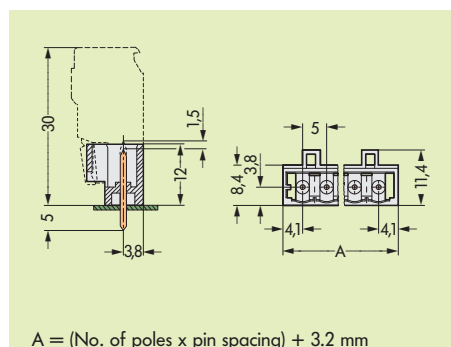


No. of poles	Item No.	Item No.	No. of poles	Item No.	Item No.	No. of poles	Item No.	Item No.
Headers with solder pins, 100% protected against mismatching, light grey, straight solder pin 1 mm x 1 mm ①			Headers with solder pins, 100% protected against mismatching, light grey, straight solder pin 1.2 mm x 1.2 mm ②			Headers with solder pins, 100% protected against mismatching, light grey, right solder pin 1 mm x 1 mm ①		
	without	with		without	with		without	with
	preceding ground (earth) contact			preceding ground (earth) contact			preceding ground (earth) contact	
2	721-132/001-000		2	721-162/001-000		2	721-432/001-000	
3	721-133/001-000	721-133/001-040	3	721-163/001-000	721-163/001-040	3	721-433/001-000	721-433/001-040
4	721-134/001-000	721-134/001-040	4	721-164/001-000	721-164/001-040	4	721-434/001-000	721-434/001-040
5	721-135/001-000	721-135/001-040	5	721-165/001-000	721-165/001-040	5	721-435/001-000	721-435/001-040
6	721-136/001-000		6	721-166/001-000		6	721-436/001-000	
7	721-137/001-000		7	721-167/001-000		7	721-437/001-000	
8	721-138/001-000		8	721-168/001-000		8	721-438/001-000	
9	721-139/001-000		9	721-169/001-000		9	721-439/001-000	
10	721-140/001-000		10	721-170/001-000		10	721-440/001-000	
12	721-142/001-000		12	721-172/001-000		12	721-442/001-000	
14	721-144/001-000		14	721-174/001-000		14	721-444/001-000	
16	721-146/001-000		16	721-176/001-000		16	721-446/001-000	
20	721-150/001-000		20	721-180/001-000		20	721-450/001-000	

Accessories

	Coding key, snap-on type, light grey 231-129		Coding key, snap-on type, light grey 231-129		Coding key, snap-on type, light grey 231-129
					Fixing element, horizontal, grey 231-193
					Screw M 2 x 12 with nut 231-195 for fixing element
					Tapping screw, B 2.2 x 13 231-194 fixing hole Ø 1.8 mm

Dimensions (in mm) Diameter of drilled hole: 1.4^{+0.1}mm (solder pin 1 mm x 1 mm); 1.7^{+0.1}mm (solder pin 1.2 mm x 1.2 mm)



* Approvals with corresponding ratings see pages 12.3 ff.

④ for more technical data see section 12, approvals