

Real Time Clocks

Y7834 = Product group; Product group discount Y 78 3_

DALLAS Real Time Clocks

SPI Interface

Series: DS13_

Case: TSSOP, μ MAX

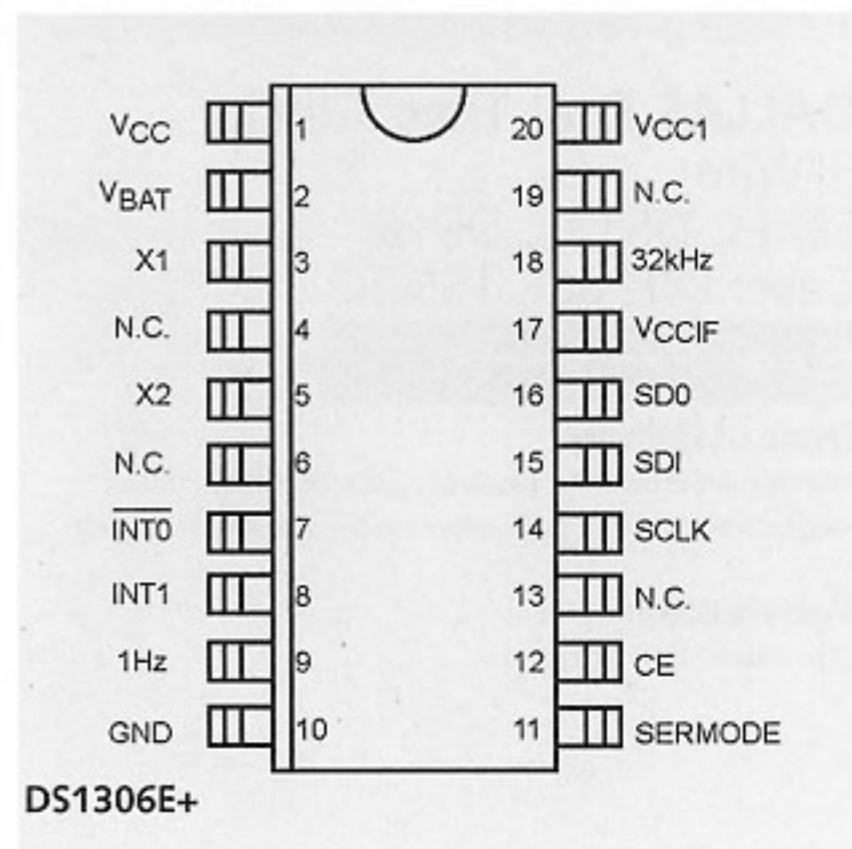
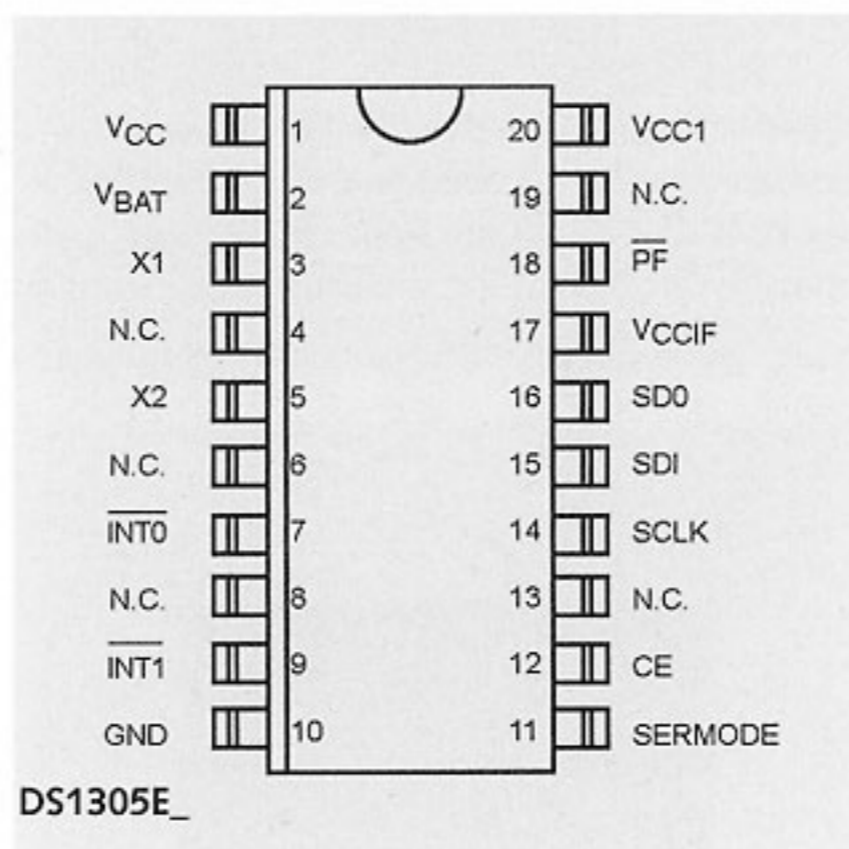
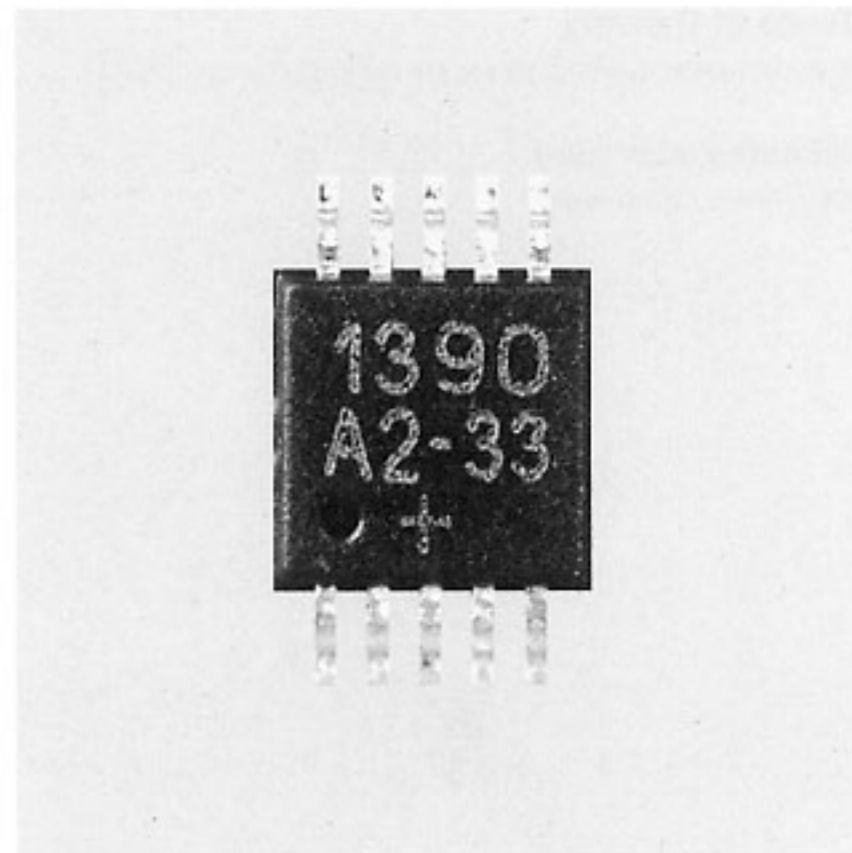
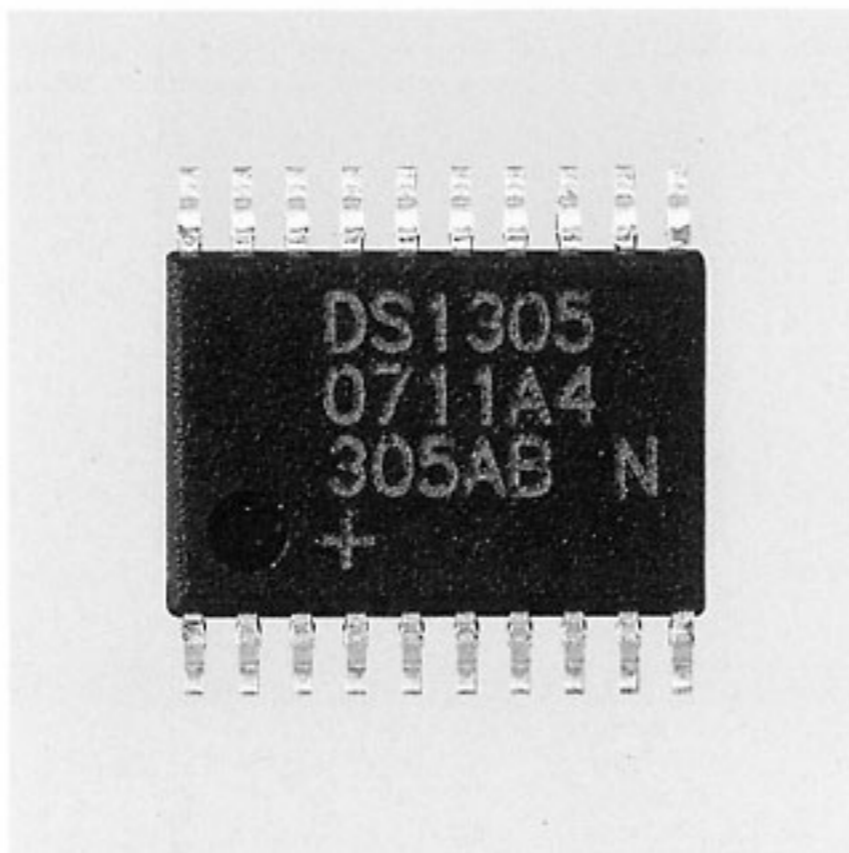
Terms of Delivery

Minimum order quantity: please see price list column "MOQ".

Manufacturer: Dallas

<http://www.maxim-ic.com>

Part Nr.	Part description
DS1305E+	RTC SPI Ser. Alarm TSSOP20
DS1305EN+	RTC SPI Ser. Alarm -40/+85°C TSSOP20
DS1306E+	RTC SPI Ser. Alarm TSSOP20
DS1390U-33+	RTC SPI Trickle-Charge μ MAX10



Y7835 = Product group; Product group discount Y 78 3_

DALLAS Real Time Clocks

I²C Bus

Series: DS13_, DS16_

Case: DIP, SO

New Products

Terms of Delivery

Minimum order quantity: please see price list column "MOQ".

Articles in bold print in stock, other articles available on request.

Manufacturer: Dallas

<http://www.maxim-ic.com>

Part Nr.	Part description
DS1307+	RTC I ² C 56B NV SRAM DIP8
DS1307Z+	RTC I ² C 56B NV SRAM SO8
DS1337+	RTC I ² C 2xTime-Of-Day-Alarm DIP8
DS1337S+	RTC I ² C 2xTime-Of-Day-Alarm SO8
DS1388Z-5+	! RTC I ² C Trickle-Charge SO8
DS1629S+	RTC I ² C + Dig. Thermometer SO8
DS1672S-33+	RTC I ² C 3.3V Power Monit. SO8
DS1678S+	RTC I ² C 2KB Event Log Mem SO8
DS1682S+	RTC I ² C Time Recorder + Alarm SO8

