

**Isolierkörpermaterial**  
Nylon, UL94V-0

**Kontaktmaterial**  
Phosphorbronze

**Kontaktoberfläche**  
Ni, Au / Sn

**Kontaktwiderstand**  
40mΩ max

**Isolationswiderstand**  
1000MΩ min

**Strombelastbarkeit**  
1.5A

**Betriebstemperatur**  
-40°C - +85°C

**Betriebsspannung**  
125V AC

**Prüfspannung**  
1000V AC

**Verpackung**  
Blisterverpackung

**Insulator material**  
Nylon, UL94V-0

**Contact material**  
Phosphorbronze

**Plating**  
Ni, Au / Sn

**Contact resistance**  
40mΩ max

**Insulation resistance**  
1000MΩ min

**Current rating**  
1.5A

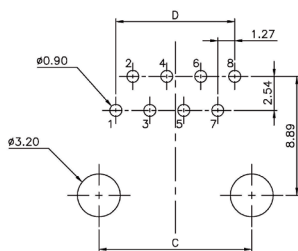
**Operating temperature**  
-40°C - +85°C

**Operating voltage**  
125V DC

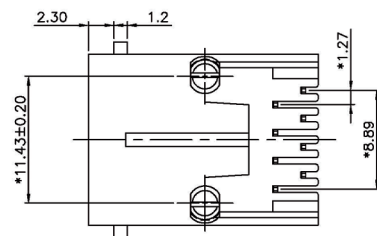
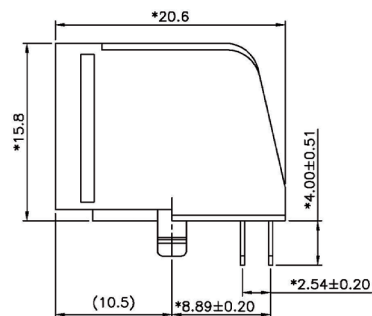
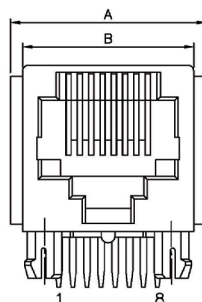
**Test voltage**  
1000V AC

**Packing**  
Tray packing

Dimensions				
No. of contacts	A	B	C	D
4 (RJ10)	13.5	11.2	7.62	3.81
6 (RJ12)	15.5	13.2	10.16	6.35
8 (RJ45)	17.6	15.3	11.43	8.89



PC Board Layout  
Component Side Shown



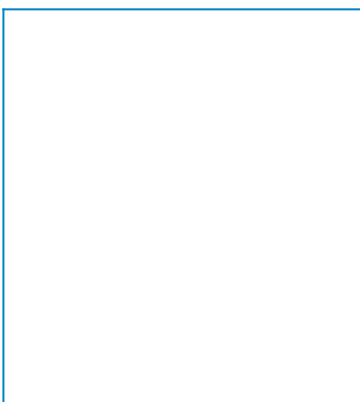
Bestellcode / Ordercode

Polzahl

- 0 - 4 polig (RJ10)
- 1 - 6 polig (RJ12)
- 2 - 8 polig (RJ45)

No. of contacts

- 0 - 4 contacts (RJ10)
- 1 - 6 contacts (RJ12)
- 2 - 8 contacts (RJ45)



**A - 2004**

**x**

Bitte „x“ durch die geeignete Option ersetzen  
Please replace „x“ with appropriate option