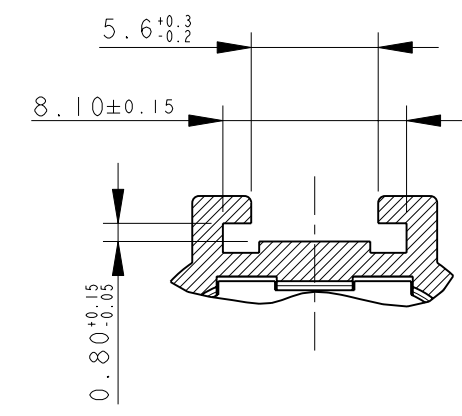
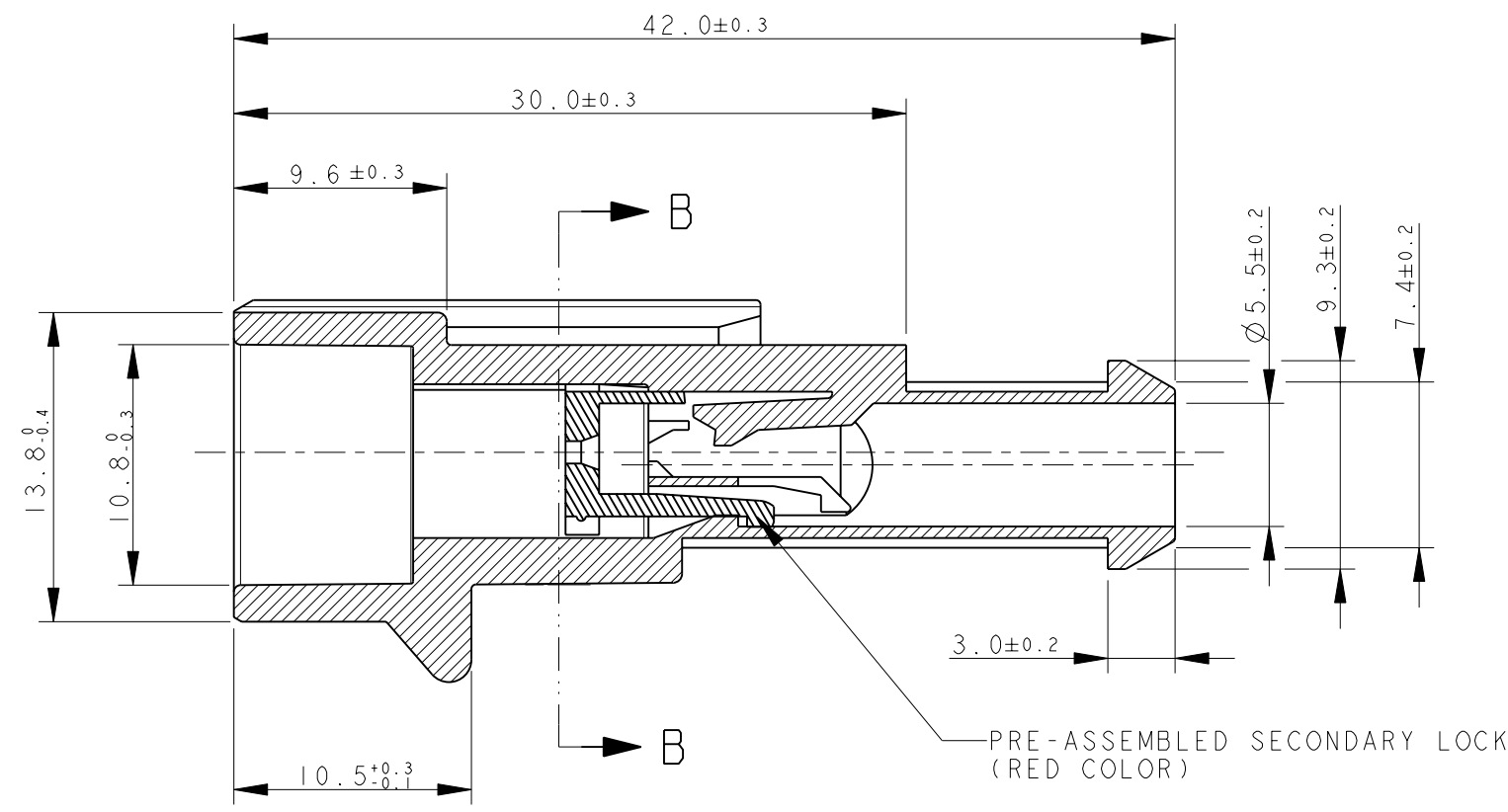
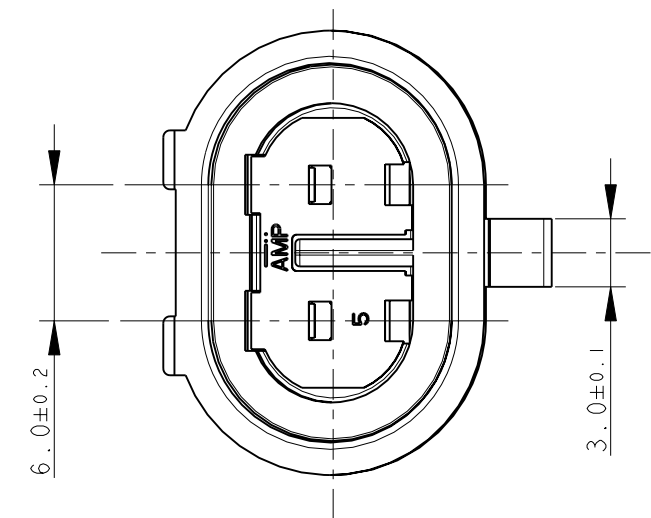
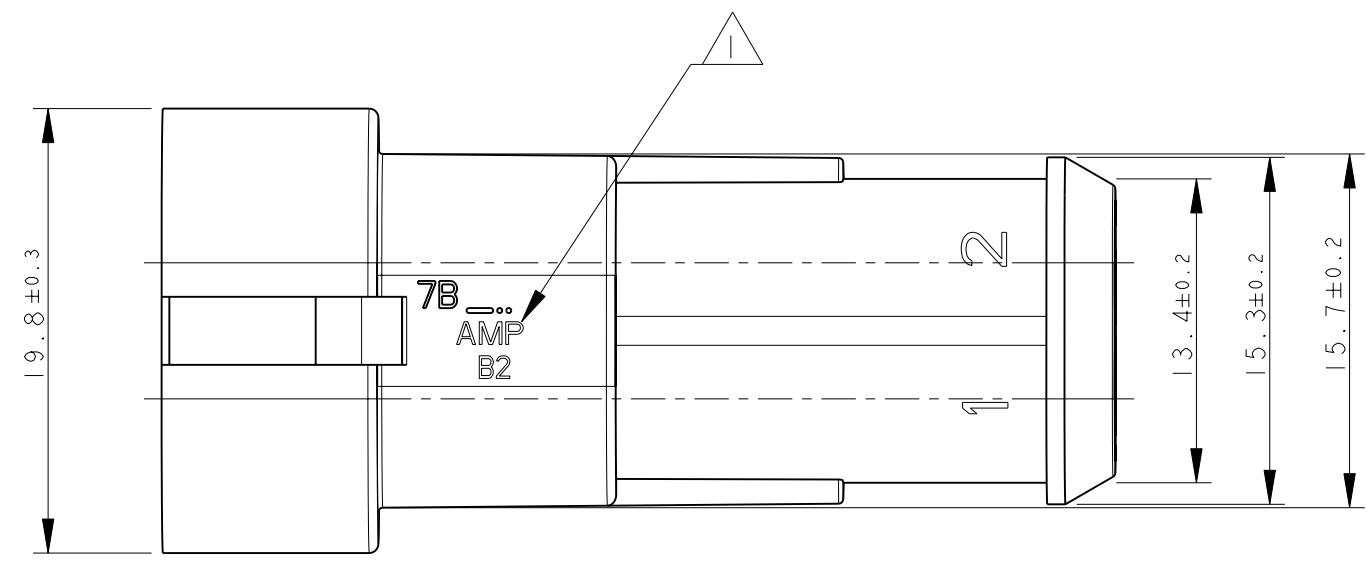


THIS DRAWING IS UNPUBLISHED. RELEASED FOR PUBLICATION 2007
 © COPYRIGHT 2007 BY TYCO ELECTRONICS CORPORATION. ALL RIGHTS RESERVED.

LOC	DIST	REVISIONS					
		P	LTR	DESCRIPTION	DATE	DWN	APVD
1	-	B		REDRAWN (ECR-09-000977)	15/01/2009	M.G.	M.G.



FINISH/COLOR	MATERIAL	PART NUMBER
GREEN	PA66-GF	282104-3
GRAY	PA66-GF	282104-2
BLACK	PA66-GF	282104-1

1 LOGO "AMP" O, IN ALTERNATIVA, LOGO TYCO ELECTRONICS ("AMP" TRADE MARK OR, IN ALTERNATIVE, TYCO ELECTRONICS TRADE MARK)

THIS DRAWING IS A CONTROLLED DOCUMENT FOR TYCO ELECTRONICS CORPORATION IT IS SUBJECT TO CHANGE AND THE CONTROLLING ENGINEERING ORGANIZATION SHOULD BE CONTACTED FOR THE LATEST REVISION.

DIMENSIONS:	TOLERANCES UNLESS OTHERWISE SPECIFIED:
mm	0 PLC ±-
	1 PLC ±0.3
	2 PLC ±-
	3 PLC ±-
	4 PLC ±-
	ANGLES ±2°
MATERIAL -	FINISH -

DWN C. BERTINI 02-1990	Tyco Electronics AMP Italia S.r.l. Corso F.lli Cervi,15 - Collegno (TO)	
CHK A. BRUNI 02-1990	NAME AMP SUPERSEAL 1.5 SRS. 2 POSITIONS TAB ASS'Y	
APVD -	PRODUCT SPEC -	APPLICATION SPEC -
WEIGHT -	SIZE A3	CAGE CODE 00779
CUSTOMER DRAWING	DRAWING NO C-282104	RESTRICTED TO -
SCALE 3:1	SHEET 1 OF 1	REV B