

ABS Miniature Enclosures

G4115 = Product group; Product group discount G 41 1_

ABS Miniature Enclosures

Colours: Black, Grey
Series: KG

Part Nr.	Part description
KG2043	ABS Enclosure 53x37x20,5 Black
KG2044	ABS Enclosure 50x38x13 Grey

Features

- To mount infrared transmitters, small peripheral devices, distributor assemblies, etc.

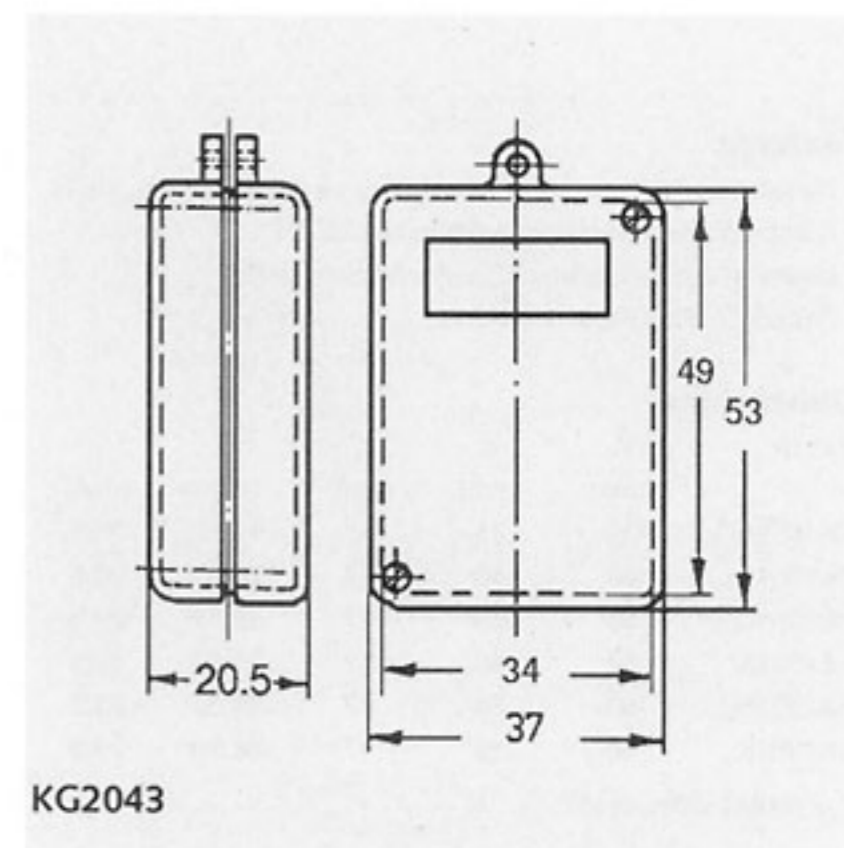
KG2043

Construction

- Small, black enclosure composed of 2 housing halves with diagonal screw connection (self-tapping flat-head screws) and molded eyelets to attach the device onto a chain
- Approx. 0,3mm sunken surface on one enclosure side 24x11,5mm to attach a self-adhesive label

Dimensions

Outer:53x37x20,5mm
Inner:.....49x34x16,5mm



KG2044

Construction

- Light grey miniature enclosure composed of a receptacle and lid for installing electronic components such as measuring detectors or miniature transmitters

Dimensions

Outer:50x38x13mm
Inner:.....47x35x10mm

Terms of Delivery

Minimum order quantity: 1 PKU = 5 pieces

Manufacturer: Various

