

Electronic Pliers

T4210 = Product group; Product group discount T 42 1_

Part Nr.	Part Description
HT109	Flat Profile Electronic Pliers
HT1091	Flat Profile Electronic Pliers
HT222	Precision Electronic Pliers for AWG18

Electronic Pliers Series: HT

HT109 Flat Profile Electronic Pliers

Features

- High-leverage design provides greater cutting and gripping power
- Cutter angled at 22,5°
- Made of finest tool steel, induction hardened, black burnished surface
- Spring-loaded
- Length: 130mm
- For copper wire up to 0,519mm² (AWG20)

HT1091 Flat Profile Electronic Pliers with Stripping Notch

Features

- The same as HT109 but with integrated stripping notch for 0,205...0,519mm² (AWG24 ... 20)

HT222 Precision Electronic Pliers

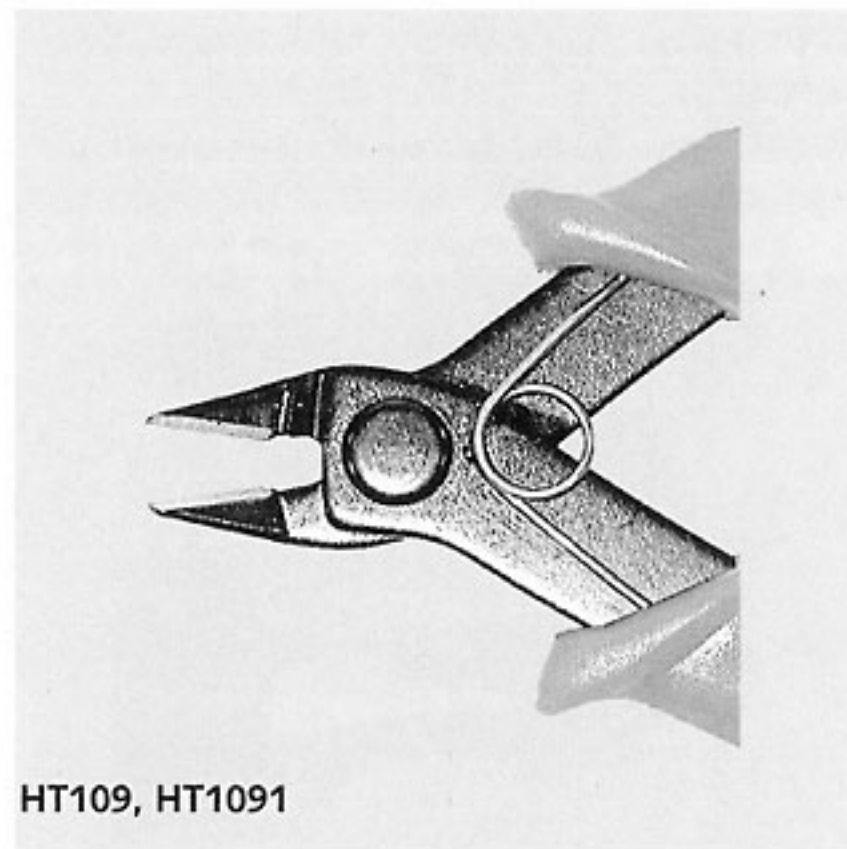
Features

- Cutter angled at 22,5°
- Made of finest tool steel, black burnished surface
- Spring-loaded
- Length: 130mm
- For copper wire up to 0,79mm² (AWG18)

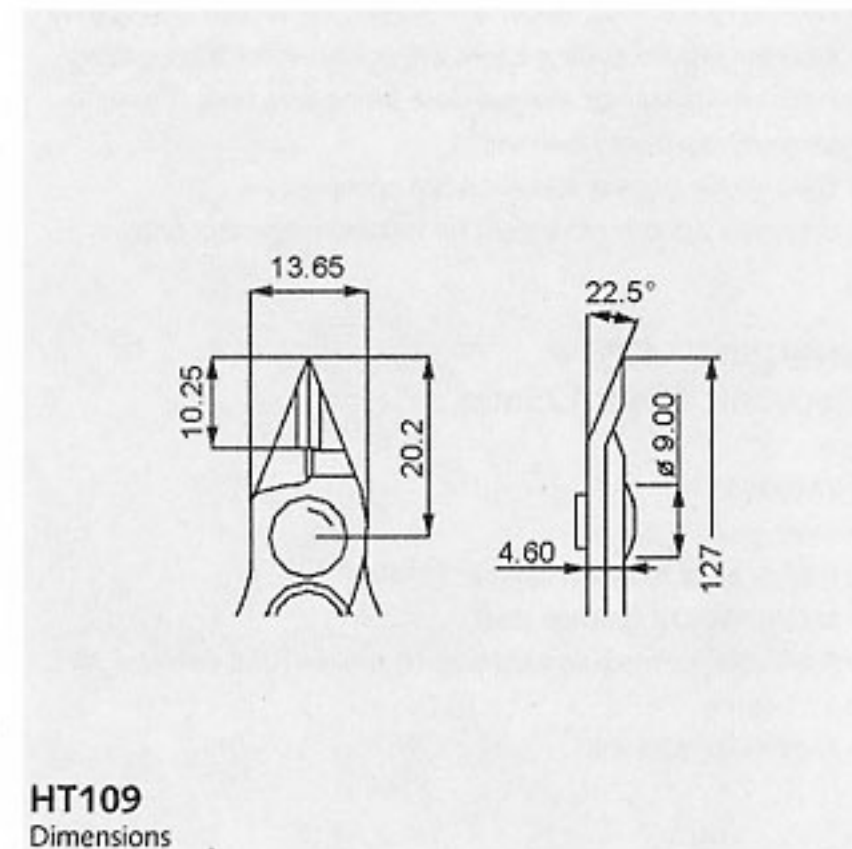
Terms of Delivery

Minimum order quantity: 1 PKU = 1 piece

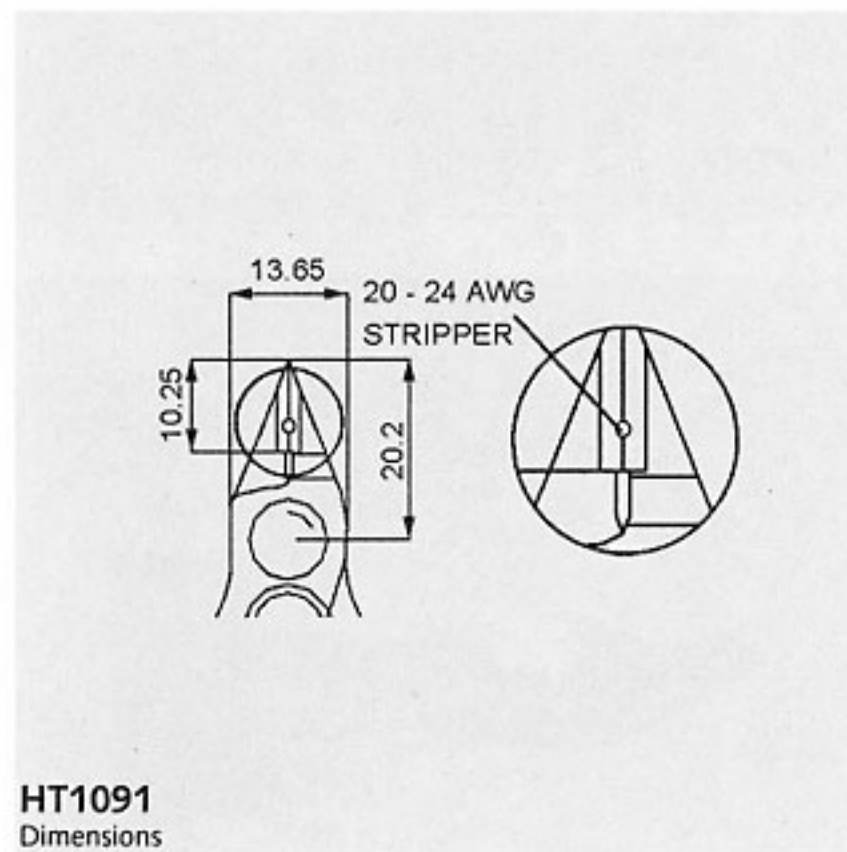
Manufacturer: Various



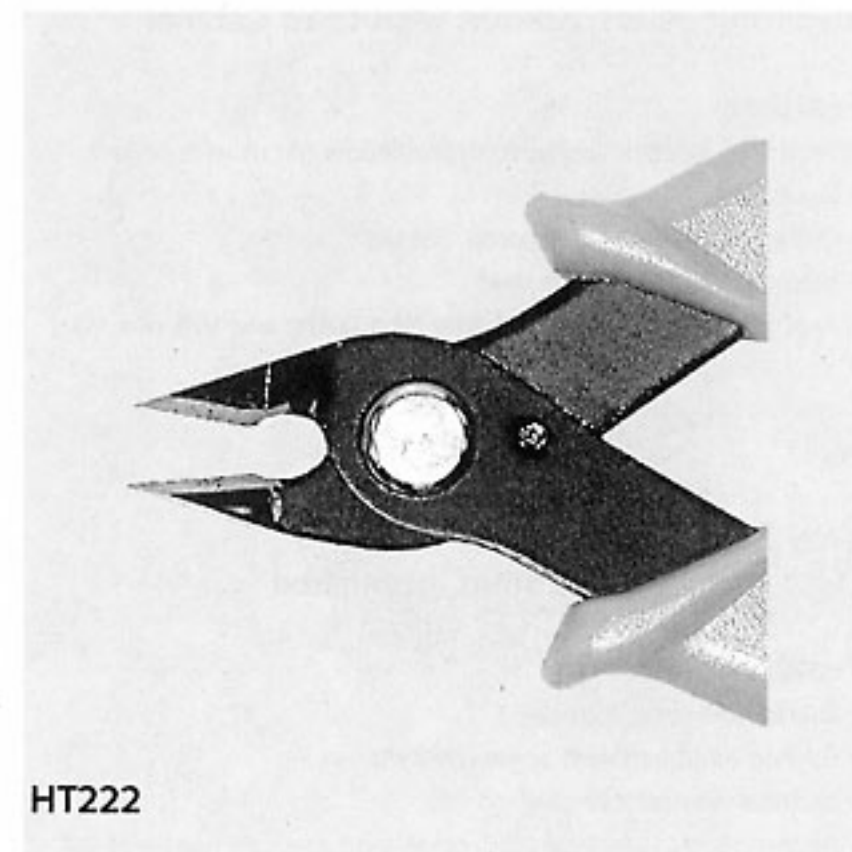
HT109, HT1091



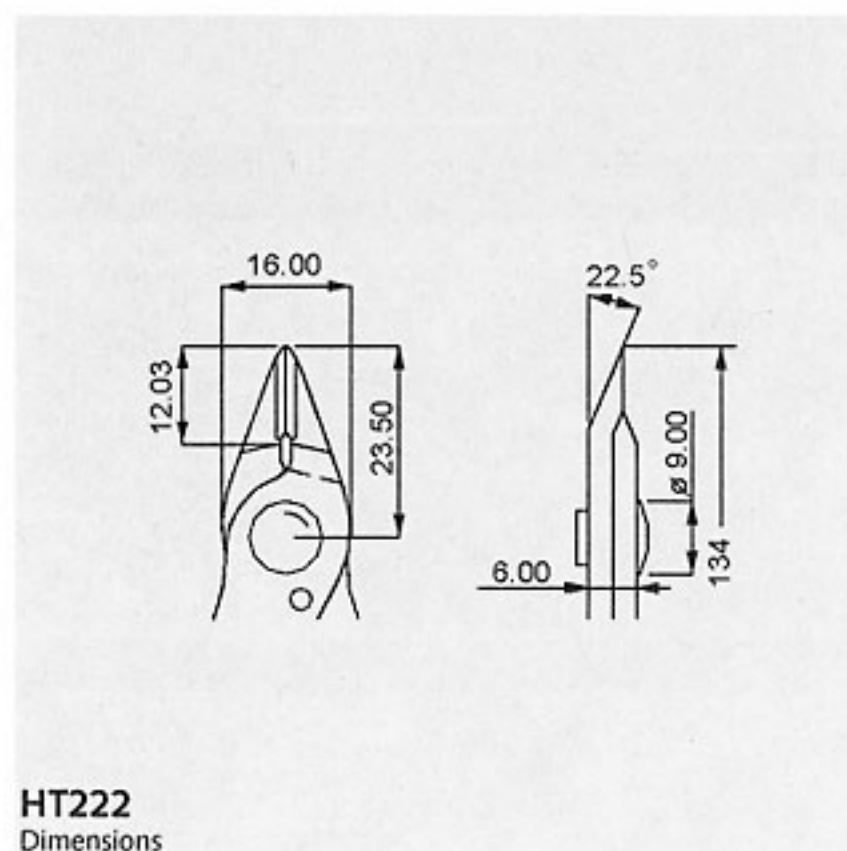
HT109
Dimensions



HT1091
Dimensions



HT222



HT222
Dimensions