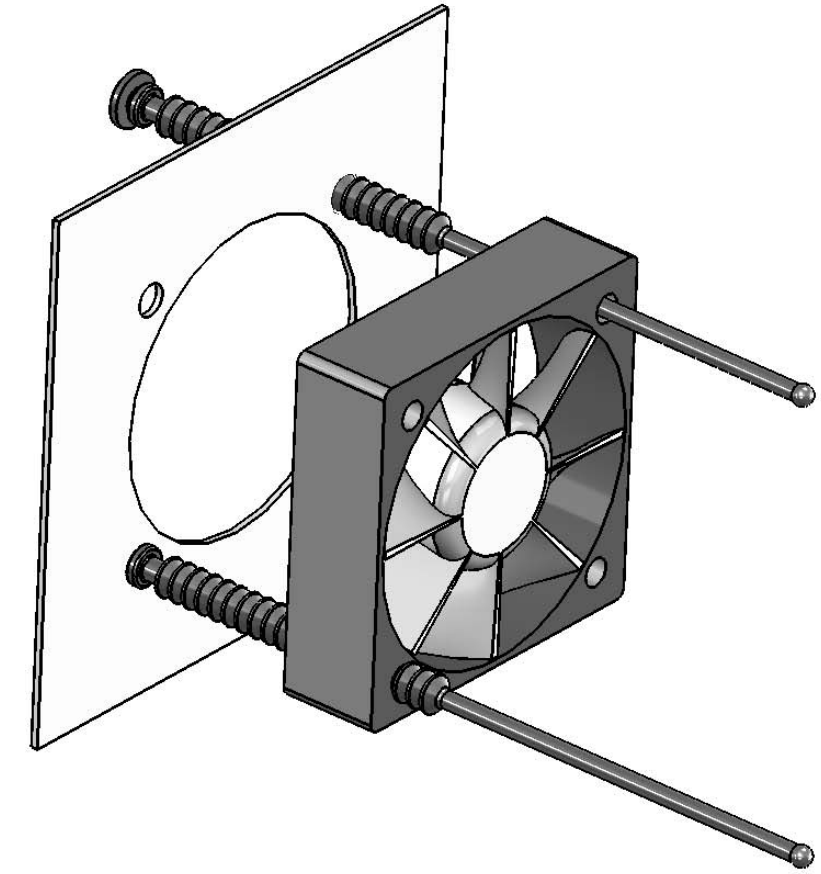
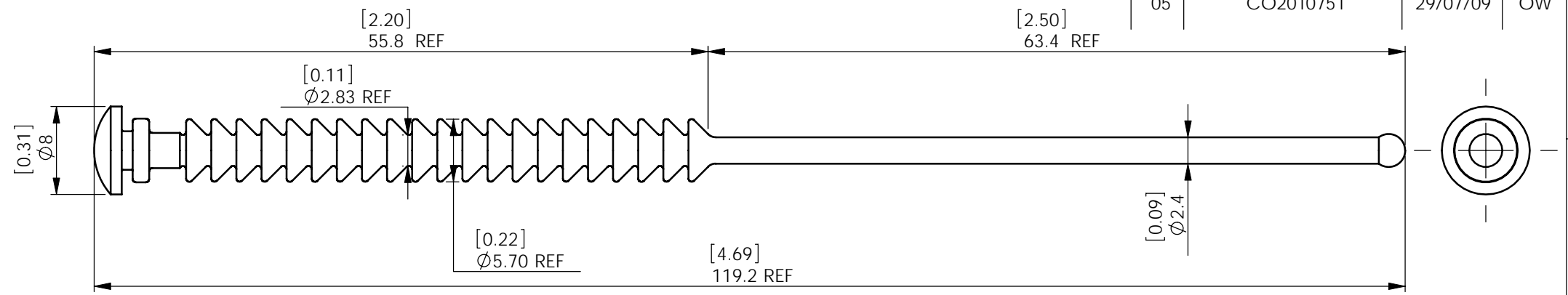


REV.	MODIFICATION.	DATE	DRN
01	PRODUCTION RELEASE	08/08/06	TC
02	ECN 2006-258	06/12/06	TC
03	CO2010317	11/08/08	SF
04	CO2010432	09/10/08	SF
05	CO2010751	29/07/09	OW



NOTES!

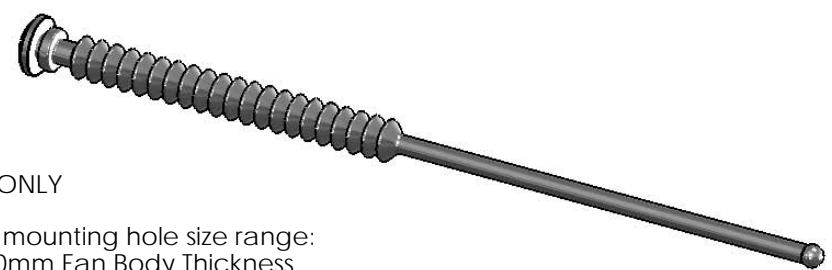
ALTERNATE UNITS FOR REFERENCE ONLY

Fits Industry Standard DC Fans with mounting hole size range:

- 3.2mm to 3.5mm dia up to 10mm Fan Body Thickness
- 4.0mm to 4.5mm dia from 10mm to 51mm Fan Body Thickness

Chassis Mounting Hole Range:

- Diameter 4.5mm to 4.8mm
- Thickness 1mm to 1.5mm



<i>INFORMATION CONTAINED IN THIS DOCUMENT IS CONFIDENTIAL TO RICHCO INTERNATIONAL Co. Ltd. AND MAY NOT BE DISCLOSED OR REPRODUCED IN WHOLE OR PART WITHOUT THEIR WRITTEN CONSENT.</i>					
<b>RICHCO, INC.</b> WWW.RICHCO-INC.COM			ALL DIMENSIONS IN mm & [inches] GENERAL TOLERANCES ±0.25 [0.01] UNLESS OTHERWISE STATED 1 DECIMAL PLACE ±0.25 [0.01] 2 DECIMAL PLACES ± 0.10 [0.004] ANGULAR ±1°		THIRD ANGLE 
			MATERIAL: Silicone Rubber 40 Shore 'A' (RMS-316)		COLOR: Black
DESCRIPTION: Multi-Fan Mount			PART No: <b>FMM-1</b>		
DRG No: 06-076		NPR No: 2005-474		WEIGHT (g): 2.8	SHEET SIZE: A4
DRN TC	DATE 27/1/06	CHKD TC	DATE 04/07/06	SCALE NTS	SHEET No. 1 OF 1