

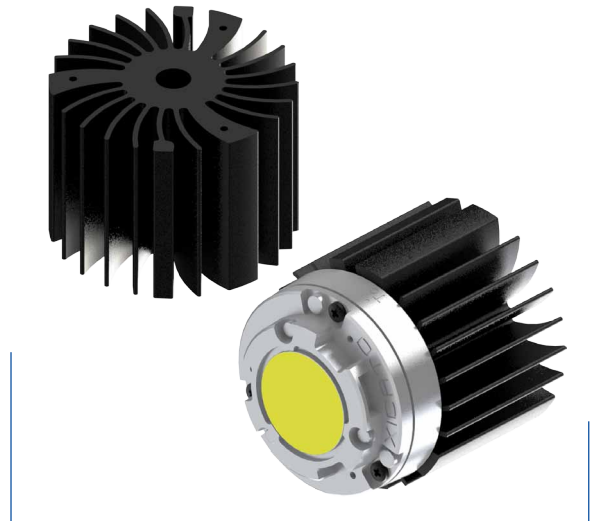
MechaTronix in LED

XSA-37 (XSA02) Xicato XSM LED Star Heat Sink ϕ 50mm



Features & Benefits

- Designed for Xicato XSM series - thermal class C
- Xicato accessory reference XSA-37 - Mechanical compatible with XSA-02
- Thermal resistance R_{th} 6.9°C/W
- Can be foreseen from M2 or M3 mounting holes
- Diameter 49mm base
- Standard height 35mm - other heights on request
- Extruded from highly conductive aluminium
- Standard colors - clear anodised - black anodised
- Other colors and finishings on request (all RAL/Pantone colors available)



Order Information

XICATO

Example : XSA-37-M2-B-13

XSA-37 - **1** - **2** - **3**

- 1** XSM Mounting
"M2" - M2 screw threads
"M3" - M3 screw threads
- 2** Anodising color
"B" - Black Anodised
"C" - Clear Anodised
"Z" - Custom (specify)
- 3** Mounting Options - see graphics for details
Combinations available
Ex. order code - 13
means option 1 and 3 combined

MOUNTING OPTION	THREAD	THREAD DEPTH
NONE/BLANC	NONE	NONE
1	M10 x 1.5	20mm MIN.
2	3/8"-16 UNC	0.75" MIN.
3	M3 x 0.5	9mm MIN.
4	#6-32 UNC	0.35" MIN.
5	M2 x 0.4	8mm MIN.
6	M2 x 0.4	8mm MIN.
7	M2 x 0.4	5mm MIN.

MechaTronix in LED

XSA-37 (XSA02) Xicato XSM LED Star Heat Sink ϕ 50mm



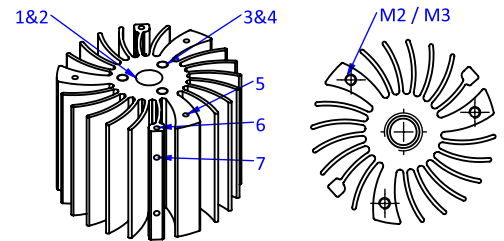
Product Details

	Total Height ^{mm}	Rth($^{\circ}$ C/W)	Volume ^{mm³}	Cooling Surface ^{mm²}	Weight ^{gr}
XSA-37	35.00	6.9	27813.42	26807.46	75.10

Mounting Options

Notes:

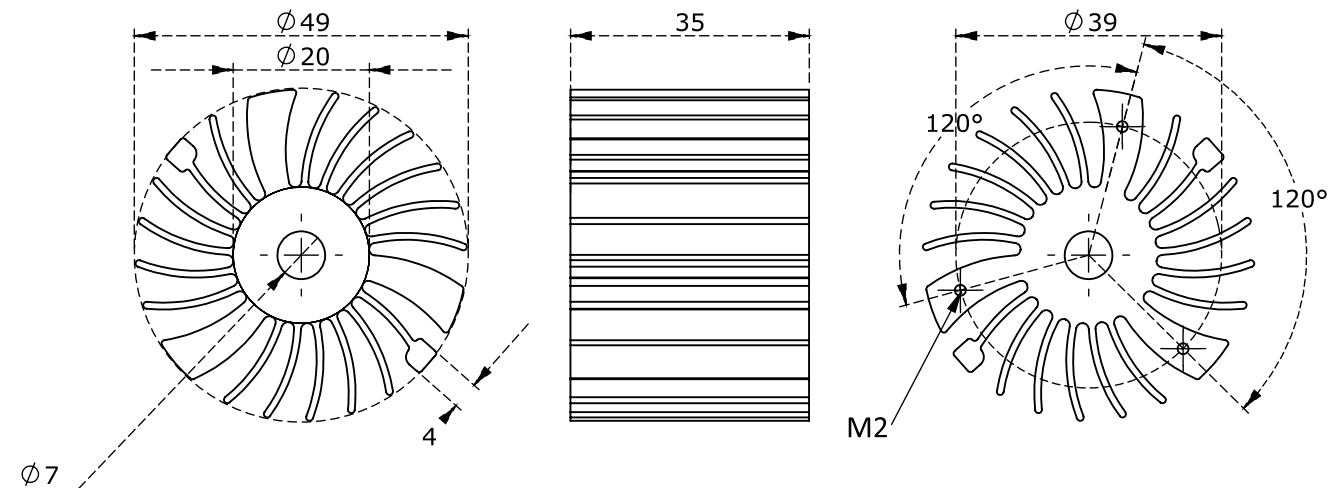
1. MechaTronix reserves the right to change products or specifications without prior notice.
2. Mentioned models are an extraction of the full product range. For specific mechanical adaptations please contact MechaTronix.
3. All these types are made by extrusion process from highly conductive aluminum type AL6063 T5 with a typical Thermal Conductivity of 209W/m-K.



<p>1 Mechanical version Top side center hole tapping M10X1.5 Depth > 20mm</p>	<p>2 Mechanical version Top side center hole tapping 3/8" - 16 UNC Depth > 0.75" mm</p>	<p>3 Mechanical version Top side hole tapping 3 holes M3X0.5 Depth > 9mm</p>	<p>4 Mechanical version Top side hole tapping 3 holes #6-32 UNC Depth > 0.35" mm</p>
<p>5 Mechanical version Top side hole tapping 3 holes M2X0.4 Depth > 8mm</p>	<p>6 Mechanical version Top side hole tapping 2 holes M2X0.4 Depth > 8mm</p>	<p>7 Mechanical version Side hole tapping 4 holes M2X0.4 Depth > 8mm</p>	

Drawings & Dimensions

Example : XSA-37-M2



MechaTronix in LED

XSA-37 (XSA02) Xicato XSM LED Star Heat Sink ϕ 50mm

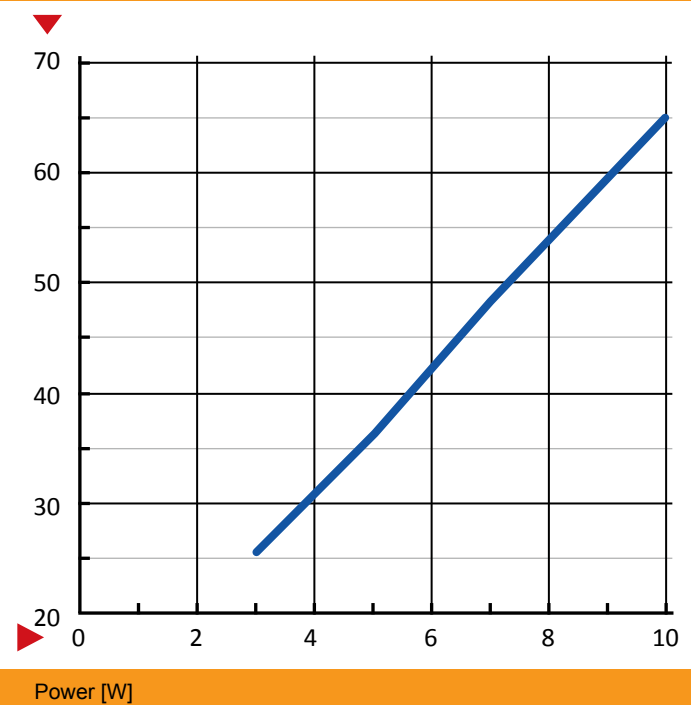


Thermal Data

Heat sink base to ambient thermal resistance, R_{hs-amb} [K/W]

Power (W)	XSA-37
3	8.5
5	7.6
7	7.0
10	6.4
Rth Av.	6.9

Heat sink to ambient temperature difference [$^{\circ}$ C]



Spreading resistance, R_{sp} [K/W]

Base thickness	Ratio of light engine (LE) area over heat sink base area, ALE/Ahs [%]	t=2mm	t=3mm	t=5mm	t=10mm
		1%	0.87	0.61	0.41
3%	0.68	0.47	0.30	0.20	
5%	0.54	0.37	0.24	0.15	
8%	0.44	0.30	0.19	0.12	
11%	0.36	0.24	0.15	0.09	
20%	0.24	0.17	0.10	0.06	
32%	0.16	0.11	0.07	0.04	
62%	0.06	0.04	0.03	0.01	

Heat sink base spreading resistance, R_{sp} [K/W], based on base thickness, t

