

Centronic Sockets / Centronic Sockets and Plugs

F4813 = Product group; Product group discount F 48 1_

Centronic Sockets Angled, with Spring Clips Series: CBL_W

Technical Specifications

Insulating Shell:.....PBT Glass Filled, UL94V-0
 Contact Material:.....Phosphor Bronze
 Housing:.....Steel
 Operating Current:.....5A
 Dielectric Strength (For 1 Min.):.....1000V AC
 Insulation Resistance (at 500V DC), Min.:.....1000MΩ
 Operating Temperature:.....-55...+105°C

Dimensions

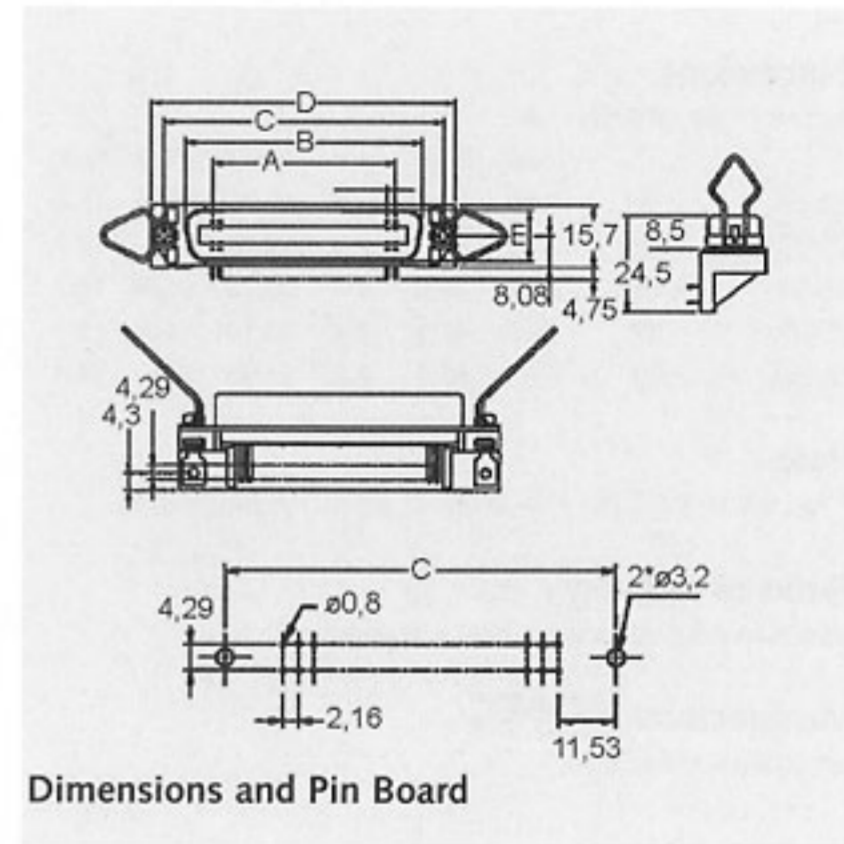
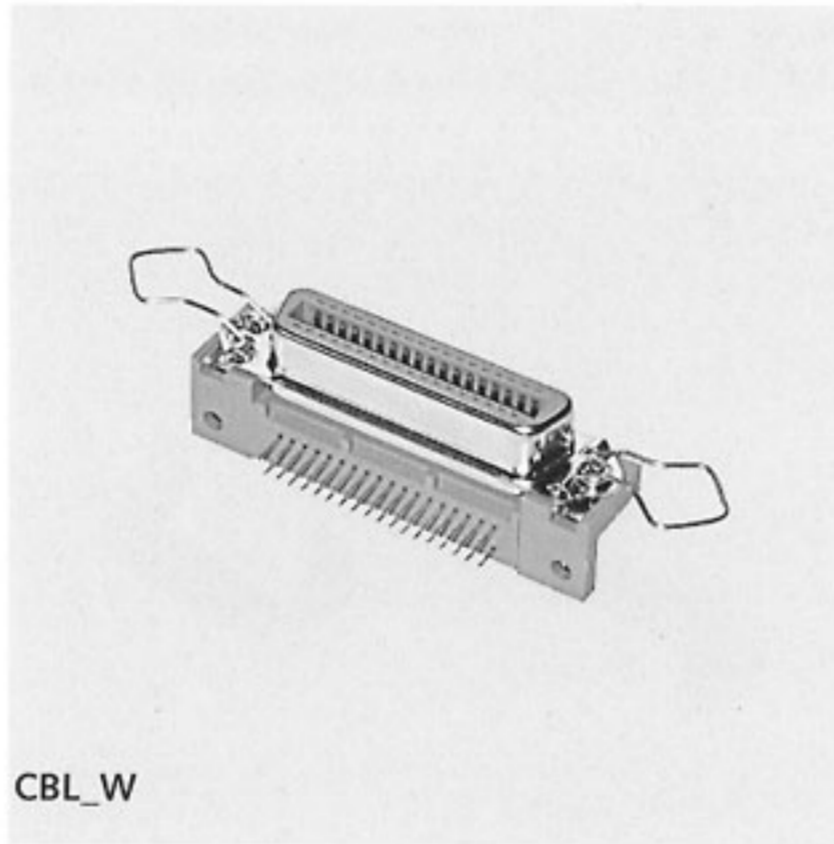
Part Nr.	Nr. of Poles	A	B	C	D	E
		[mm]	[mm]	[mm]	[mm]	[mm]
CBL36W	36	36,72	48,90	59,70	67,70	11,90
CBL50W	50	52,00	64,10	75,00	83,00	11,90

Terms of Delivery

Minimum order quantity: 1 PKU = 5 pieces

Manufacturer: Various

Part Nr.	Part description
CBL36W	Centronics Socket Angled 36-Pole
CBL50W	Centronics Socket Angled 50-Pole



F4815 = Product group; Product group discount F 48 1_

Centronic Sockets and Plugs IDC for Flat Cables Series: CBL_FB, CSL_FB

Features

- IDC technique for flat cables AWG28 (see note)
- 36 and 50 poles
- Female sockets encased with spring clips

Technical Specifications

Insulation Shell:.....PBT Glass Filled, UL94V-0
 Contact Material:.....Phosphor Bronze
 Contact Surface:.....Gold Over Nickel
 Housing:.....Steel
 Operating Current:.....5A
 Contact Resistance (For 1 Min.):.....1000V AC
 Isolation Resistance (at 500V DC), Min.:.....1000MΩ
 Temperature Range:.....-55...+105°C

Dimensions

Part Nr.	Nr. of Poles	A	B	C
		[mm]	[mm]	[mm]
CBL36FB	36	36,72	61,60	53,30
CBL50FB	50	51,84	82,80	68,50
CSL36FB	36	36,72	61,60	53,30
CSL50FB	50	51,84	76,70	68,50

Note

- You will find suitable flat cables in product groups G1833 and G1837
- For suitable IDC crimping fixtures, please see product group T4651 in our "Components and Devices" catalogue.

Terms of Delivery

Minimum order quantity: 1 PKU = 5 pieces

Manufacturer: Various

Part Nr.	Part description
CBL36FB	Centronics Socket 36-Pole
CBL50FB	Centronics Socket 50-Pole
CSL36FB	Centronics Plug 36-Pole
CSL50FB	Centronics Plug 50-Pole

