

Proximity Magnetic Sensors Cylindrical Housing FSM Series

CARLO GAVAZZI



- Cylindrical, brass or nickel plated brass housing
- M12 or M16 diameter
- NO or CO output functions
- Front side switching

Product Description

The cylindrical proximity magnetic sensors of the FSM series are available in different versions with brass or nickel-plated brass housing, different dimensions and output contacts. They can be mounted directly on ferromagnetic supports as well; in this situation a

reduction in the operating distance may occur due to a loss of magnetic field. FSMA7 model is provided with output function status LED, while FSMS2S2AT can resist to temperature up to 180 °C.

Ordering Key

FSM S 2 S2 AT

Type _____
 Output function _____
 Reed contact type _____
 Special version _____
 Special applications _____

Type Selection

| Housing diameter | Connection | Output function | Reference |
|------------------|------------------------|-----------------|---------------|
| M12 | PVC cable L= 2m | NO | FSM A 2 |
| M12 | Silicone cable L= 2m | NO | FSM A 7 |
| M12 | PVC cable L= 2m | CO | FSM S 2 |
| M16 | PVC cable L= 0.5m | CO | FSM S 2 S2 |
| M16 | Silicone cable L= 0.5m | CO | FSM S 2 S2 AT |

Diameters are specified in millimeters (mm)

Output Specifications

| | |
|---|-------------------------------|
| Output FSMA2, FSMA7 FSMS2, FSMS2S2, FSMS2S2AT | NO Change-over |
| Contact ratings Max Switching Voltage FSMA2 FSMA7 FSMS2, FSMS2S2, FSMS2S2AT | 250 VAC 24 VDC 220 VAC |
| Max Switching Current FSMA2 FSMA7 FSMS2, FSMS2S2, FSMS2S2AT | 3 A 50 mA 1 A |
| Max Switching Power FSMA2 FSMA7 FSMS2, FSMS2S2, FSMS2S2AT | 100 VA negligible 60 VA |

General Specifications

| | |
|--|--|
| Operating distance | See Operating Distance table |
| Suitable magnetic unit | See Operating Distance table |
| Ambient temperature Operating FSMA2, FSMA7, FSMS2, FSMS2S2 FSMS2S2AT | -25 to +75 °C -25 to +180°C |
| Environment Degree of protection | IP 67 |
| Housing Diameter FSMA2, FSMA7, FSMS2 FSMS2S2, FSMS2S2AT Material FSMA2, FSMA7, FSMS2 FSMS2S2, FSMS2S2AT | M12 x 1 M16 x 1 Nickel-plated brass Brass |
| CE-marking | Yes |

Operating Distance

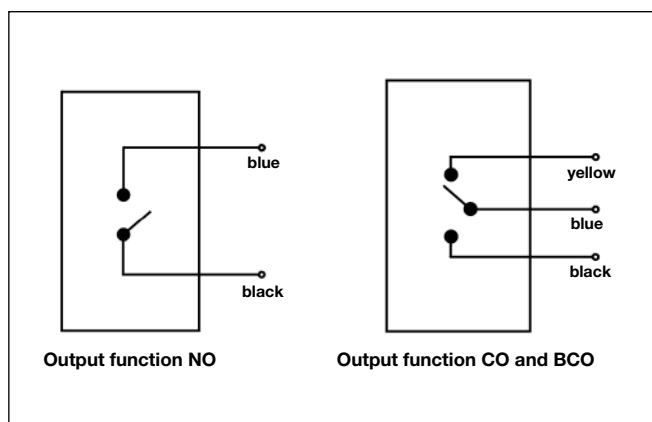
| Magnetic units | CL10 | CL11 | CL18 | CL20S1 | CL20S3 | CL23 | CL31 | CL50 |
|----------------|------|------|------|--------|--------|------|------|------|
| FSMA2 | - | 16 | 2 | 14 | 13 | 11 | 19 | - |
| FSMS2 | - | 9 | - | - | - | - | - | 19 |
| FSMA7* | - | - | - | - | - | - | - | - |
| FSMS2S2AT | - | - | - | - | 8 | - | - | - |

Distances are specified in millimeters(mm)

xx: operating distance (for all Output functions).

* ≥7 mm with Neodimium REN 35, 5x5x1.5 magnetic unit mounted on iron

Wiring Diagrams



Dimensions

