

IEC Low Voltage General Purpose Protection

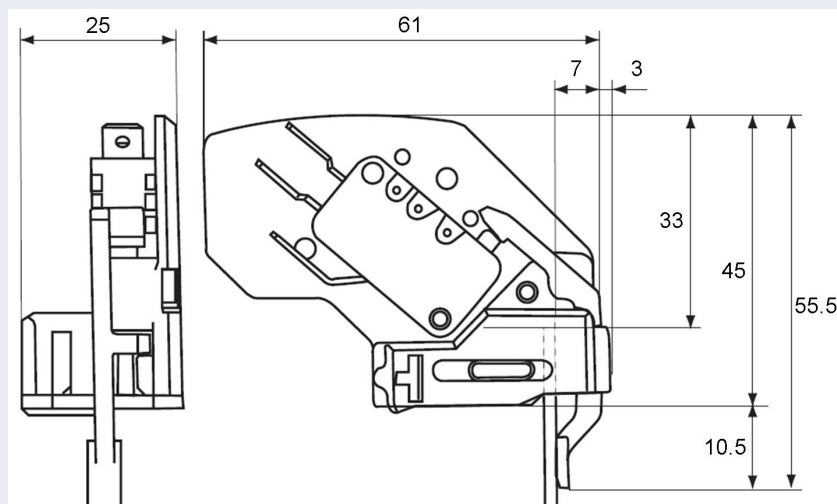
NH microswitches indication system

For NH fuse-links Sizes 000 to 3



Variant	Catalog Number	Reference Number	Weight (g)	Pack.
2.8mm clips - automatically resettable	MSNH2-5B2PRES	M1002627	26	3
6.3mm clips - automatically resettable	MSNH2-5B6PRES	A1003214	30	3

Dimensions (mm)



Automatically resettable, these microswitch systems indicate fuse presence (PRES) and proper mounting.

In case of improper mounting or fuse melting, this is indicated (terminal 1-4 closed).



MSNH2-5B2PRES
M1002627
2.8mm clips



MSNH2-5B6PRES
A1003214
6.3mm clips

Related products
NH fuse-links Sizes 000 to 3 with non-isolated gripping lugs