

SMD Light-Emitting Diodes

W2635 = Product group; Product group discount W 26 3_

LITEON SMD Light-Emitting Diodes

Water-clear
Dome Lens
Series: LTST-C930_
Case: 1209

| Part Nr. | Part description |
|---------------|--------------------------------------|
| LTST-C930CKT | SMD-LED Lens Red 160mcd 25° 1209 |
| LTST-C930KRKT | SMD-LED Lens Red 850mcd 25° 1209 |
| LTST-C930KFKT | SMD-LED Lens Orange 1200mcd 25° 1209 |
| LTST-C930KSKT | SMD-LED Lens Yellow 800mcd 25° 1209 |
| LTST-C930KGKT | SMD-LED Lens Green 650mcd 25° 1209 |
| LTST-C930GKT | SMD-LED Lens Green 40mcd 25° 1209 |

Technical Specifications

| LTST- | Colour | WL [nm] | VA [°] | LI [mcd] | @I _f [mA] | U _f [V] |
|----------|--------|------------|-----------|-------------|-------------------------|-----------------------|
| C930CKT | Red | 660 | 25 | 160 | 10 | 1,8 |
| C930KRKT | Red | 639 | 25 | 850 | 20 | 2,0 |
| C930KFKT | Orange | 611 | 25 | 1200 | 20 | 2,0 |
| C930KSKT | Yellow | 591 | 25 | 800 | 20 | 2,0 |
| C930KGKT | Green | 574 | 25 | 650 | 20 | 2,0 |
| C930GKT | Green | 565 | 25 | 40 | 10 | 2,1 |

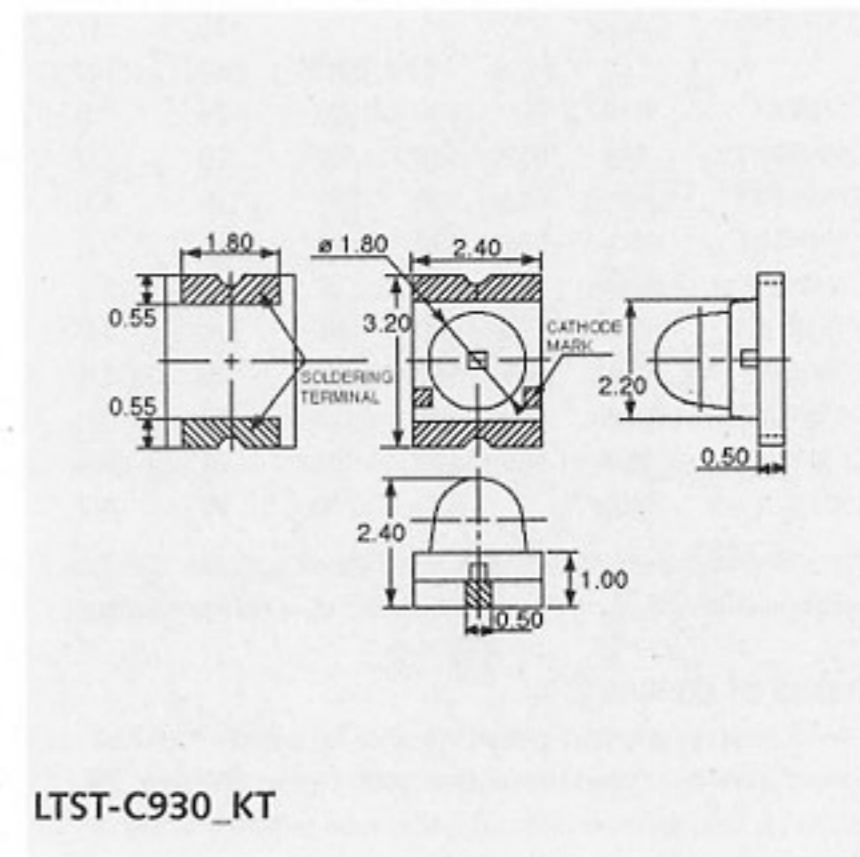
WL = Peak Emission Wavelength, VA = Viewing Angle, LI = Typ. Luminous Intensity, I_f = Forward Current, U_f = Forward Voltage

Terms of Delivery

Minimum order quantity: please see price list column "MOQ".
Form of delivery: orders of less than 1500 pieces: 100 pieces on tape segment without leader tape and reel; orders of 1500 pieces: delivery on reel if requested.

Manufacturer: **LITEON**

<http://www.liteon.com>



LTST-C930_KT

W2725 = Product group; Product group discount W 27 2_

EVERLIGHT SMD Light-Emitting Diodes

Water-clear
With Reflector
Series: EL67-21_
Case: PLCC

| Part Nr. | Part description |
|-----------------|-------------------------------------|
| EL67-21SURC/S53 | SMD-LED Refl Red 55mcd 120° PLCC |
| EL67-21UYOC/S53 | SMD-LED Refl Orange 67mcd 120° PLCC |
| EL67-21UYC/S53 | SMD-LED Refl Yellow 56mcd 120° PLCC |
| EL67-21SYGC/S53 | SMD-LED Refl Green 37mcd 120° PLCC |
| EL67-21SUBC/S40 | SMD-LED Refl Blue 48mcd 120° PLCC |
| EL67-21UWC/S40 | SMD-LED Refl White 290mcd 120° PLCC |

Technical Specifications

| EL67- | Colour | WL [nm] | VA [°] | LI [mcd] | @I _f [mA] | U _f [V] |
|------------|--------|------------|-----------|-------------|-------------------------|-----------------------|
| 21SURC/S53 | Red | 632 | 120 | 55 | 20 | 2,0 |
| 21UYOC/S53 | Orange | 611 | 120 | 67 | 20 | 2,0 |
| 21UYC/S53 | Yellow | 591 | 120 | 56 | 20 | 2,0 |
| 21SYGC/S53 | Green | 575 | 120 | 37 | 20 | 2,0 |
| 21SUBC/S40 | Blue | 468 | 120 | 48 | 20 | 3,5 |
| 21UWC/S40 | White | - | 120 | 290 | 20 | 3,5 |

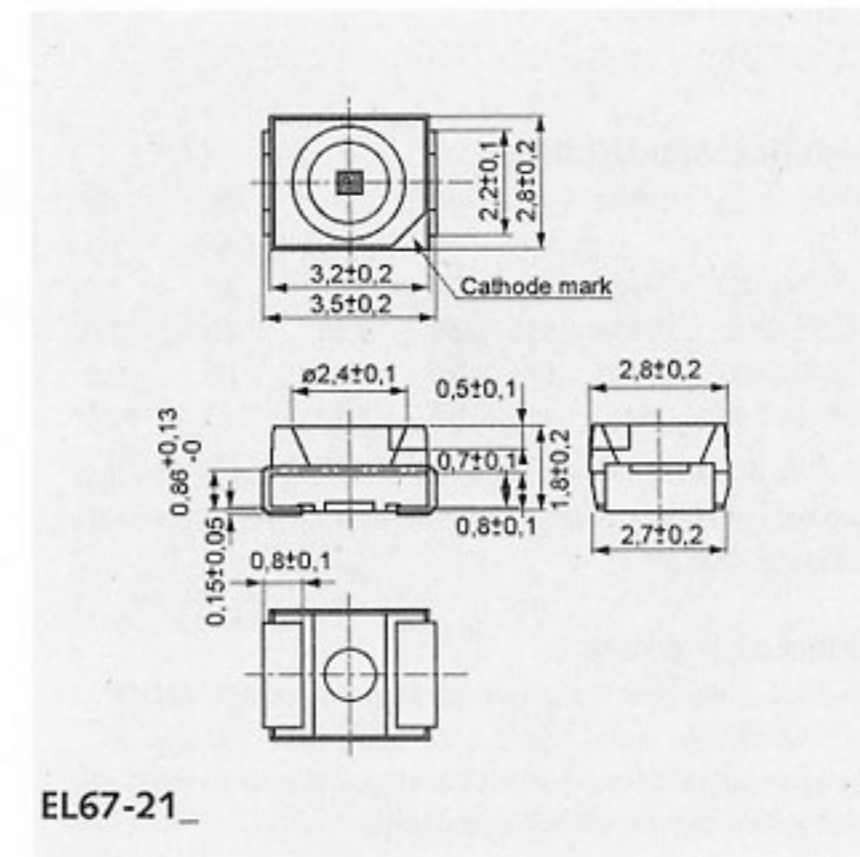
WL = Peak Emission Wavelength, VA = Viewing Angle, LI = Typ. Luminous Intensity, I_f = Forward Current, U_f = Forward Voltage

Terms of Delivery

Minimum order quantity: please see price list column "MOQ".
Form of delivery: orders of less than 2000 pieces: 100 resp. 25 pieces on tape segment without leader tape and reel; orders of 2000 pieces: delivery on reel if requested.

Manufacturer: **EVERLIGHT**

<http://www.everlight.com>



EL67-21_