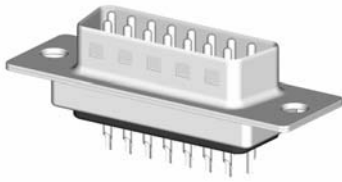
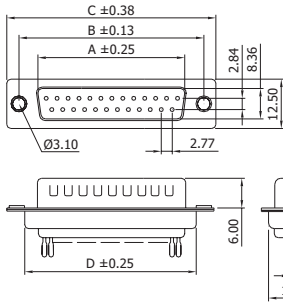


50-KNN-M



male dimensions



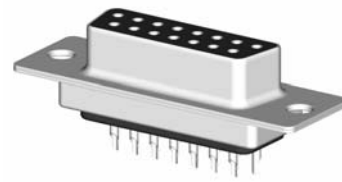
poles	09	15
A	16.92	25.25
B	24.99	33.32
C	30.78	39.18
D	19.28	27.65

poles	25	37
A	38.96	55.42
B	47.04	63.50
C	53.04	69.32
D	41.30	57.44

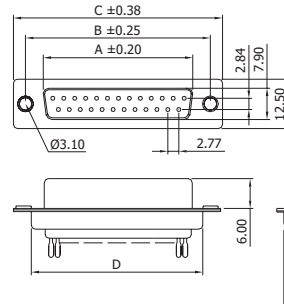
available pole no.: 09, 15, 25, 37, 50
insulation resist.: 1000 Meg Ohm min

For drawing of 50 pin D-Sub, please contact us.

50-KNN-F



female dimensions



poles	09	15
A	16.33	24.66
B	24.99	33.32
C	30.85	39.10
D	19.20	27.70

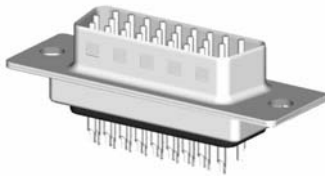
poles	25	37
A	38.38	54.84
B	47.04	63.50
C	53.00	69.32
D	41.10	57.30

available pole no.: 09, 15, 25, 37, 50
insulation resist.: 1000 Meg Ohm min

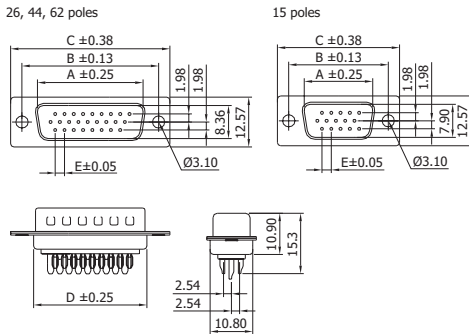
For drawing of 50 pin D-Sub, please contact us.

50-KHN-M

high density



male dimensions



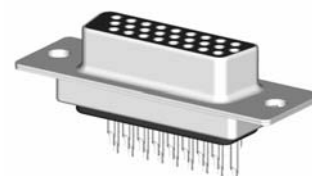
poles	15	26
A	16.92	25.25
B	24.99	33.32
C	30.78	39.18
D	19.28	27.65
E	2.29	2.29

poles	44	62
A	38.96	54.84
B	47.04	63.50
C	53.04	69.32
D	41.30	57.44
E	2.29	2.41

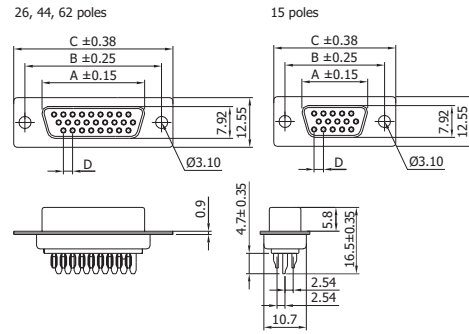
available pole no.: 15, 26, 44, 62
insulation resist.: 5000 Meg Ohm min

50-KHN-F

high density



female dimensions



poles	15	26
A	16.33	24.66
B	24.99	33.32
C	30.81	39.14
D	2.29	2.29

poles	44	62
A	38.38	54.42
B	47.04	63.50
C	53.04	69.32
D	2.29	2.41

available pole no.: 15, 26, 44, 62
insulation resist.: 5000 Meg Ohm min

technical data

contact material	: copper alloy
insulator	: PBT
flammability	: UL 94V-0
shell	: metal iron tin plated
dielectric strength	: 1000V AC
current rating	: 5A
insulation resistance	: please see drawing
contact resistance	: 30 milli Ohm max
operating temperature	: -40°C to +85°C

plating

00=	flash gold
30=	selective gold 0.75µm
60=	selective flash gold

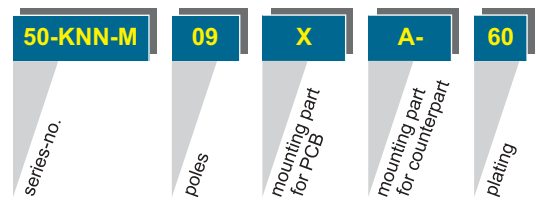
mounting part for PCB

please see page G14

mounting part for counterpart

please see page G14

order code



other materials are available, please contact us