

D-Sub Plastic Backshells

F4772 = Product group; Product group discount F 47 7_

CONEC D-Sub Plastic Backshells Metallized with UNC4-40 Thread Series: CGKS_ME

Features

- Two-piece hoods made of metallized ABS (UL94V-0) silver-chrome colour with straight cable entry
- Secure screws and strain relief
- Integrated cable clamping in housing
- The housing is supplied with retaining screws U

Dimensions

Nr. of Poles	A	B	C	D	E	F
	[mm]	[mm]	[mm]	[mm]	[mm]	[mm]
9	25,0	25,0	34,0	14,5	8,5	27,75
15	33,3	37,0	42,3	14,5	10,0	39,75
25	47,0	37,0	56,0	14,5	10,5	39,75
37	63,5	37,0	72,5	14,5	10,5	39,75

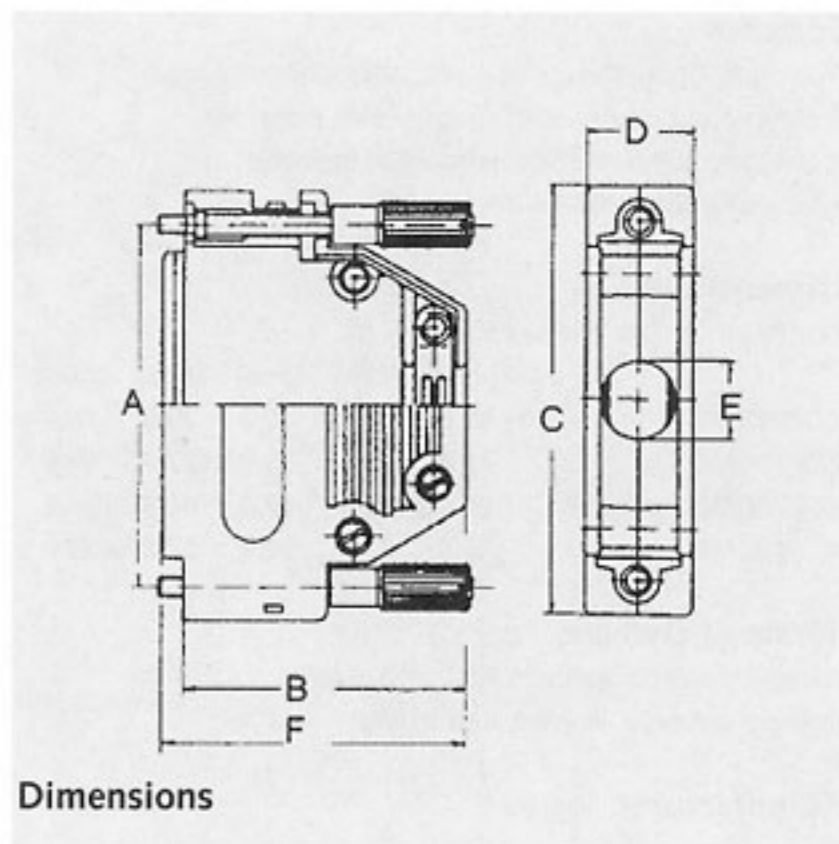
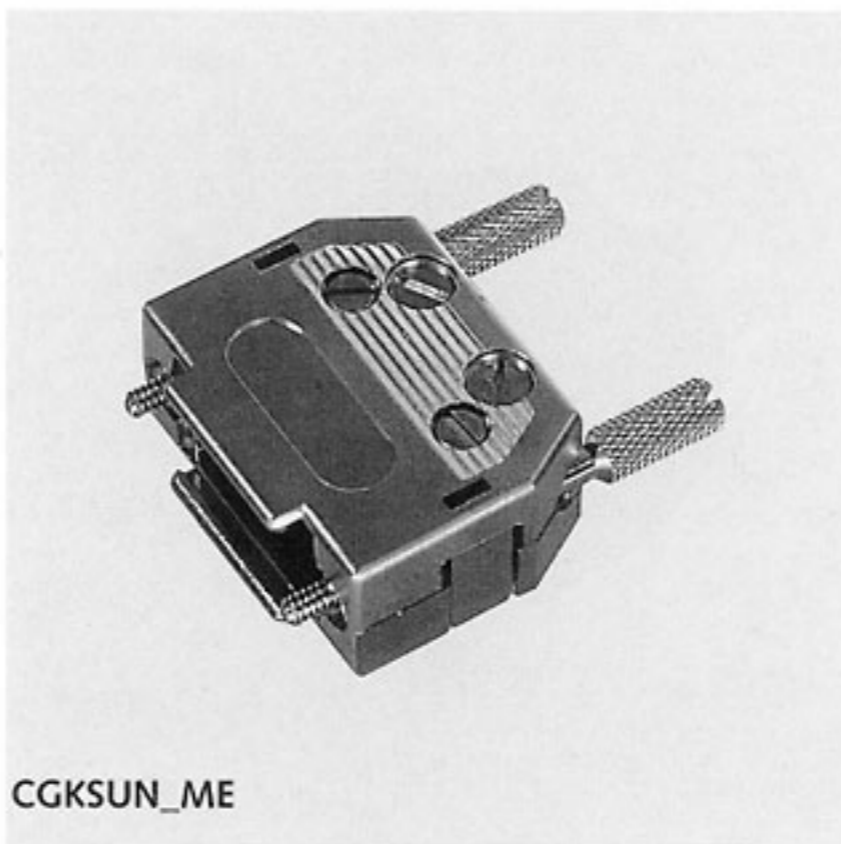
Terms of Delivery

Minimum order quantity: 1 PKU = 5 pieces

Manufacturer: **CONEC**

<http://www.conec.com>

Part Nr.	Part description
CGKSUN09ME	D-Sub-Hood 9-Pole Metallized
CGKSUN15ME	D-Sub-Hood 15-Pole Metallized
CGKSUN25ME	D-Sub-Hood 25-Pole Metallized
CGKSUN37ME	D-Sub-Hood 37-Pole Metallized



F4773 = Product group; Product group discount F 47 7_

D-Sub Plastic Backshells Low Cost, UNC4-40 Thread Series: CGP_G

Features

- Two-piece hoods made of plastic with straight cable entry
- The cable strain relief is integrated in the hood
- Retaining screws (UNC4-40)

Dimensions

Part Nr.	Nr. of Poles	A	B	C	D	E
		[mm]	[mm]	[mm]	[mm]	[mm]
CGP09G	9	31,0	25,0	39,5	20,5	16,0
CGP15G	15	39,6	33,4	35,8	27,7	16,0
CGP25G	25	55,0	46,5	42,0	40,8	16,5

Terms of Delivery

Minimum order quantity: 1 PKU = 10 pieces

Delivery contents: screws supplied

Manufacturer: Various

Part Nr.	Part description
CGP09G	D-Sub-Hood 9-Pole Plastic Grey
CGP15G	D-Sub-Hood 15-Pole Plastic Grey
CGP25G	D-Sub-Hood 25-Pole Plastic Grey

