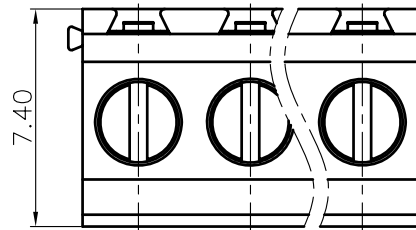


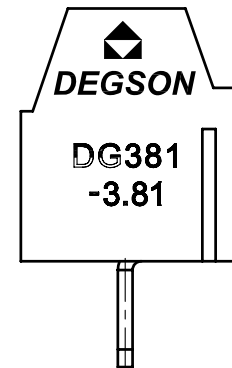
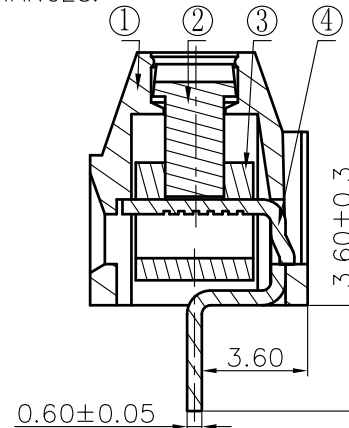
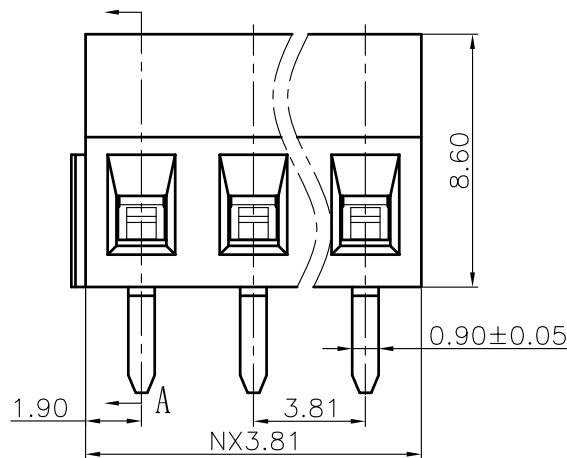
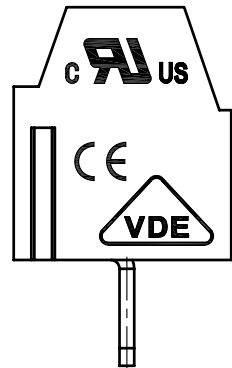
REVISION RECORD				
REV	ECN	DESCRIPTION	DRFT	DATE

NOTES:

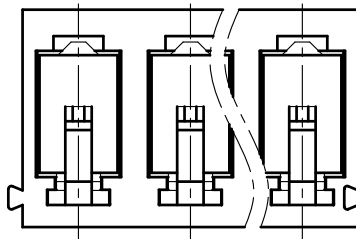
- 1.DIMENSION SHALL BE INTERPRETED PER ASME Y14.5-2009.
- 2.PITCH: 3.81MM ,POLES: 2-XXP
- 3.RATED VOLTAGE/CURRENT: UL 300V/10A
VDE 130V/10A
- 4.OPERATION TEMPERATURES: -40°C~+105°C
- 5.WITHSTANDING VOLTAGE: AC2000V/1MIN
- 6.INSULATION RESISTANCE: 5000MΩ/DC1000V
- 7.WIRE RANGE: 16~26AWG,1.0MM²
- 8.MAX.TORQUE VALUE: M2,2.04KGF.CM
- 9.UNDIMENSIONED TOLERANCES:



Pitch range in mm		Nominal dimension range in mm					—		
to	over	over	over	over	over	over	⌒		
6	6 to 10	10 to 24	30 to 60	60 to 100	100 to 150	150	□		
	±0.10	±0.15	±0.25	±0.2	±0.3	±0.5	±0.7	±1.0	0.05/10



SECTION A-A



4	DG381 Pin header	4047B00010(H)	XX	Phosphor bronze	SnCe
3	DG381 Cage	X000000300(H)	XX	Brass	Ni plated
2	DG381 Screw	S000001440(H)	XX	Steel	Cr ³⁺ Zn
1	DG381-3.81-Housing	4047A0YXXA(H)	1	PA66	UL94V-0
ITEM	NAME OF PART	NO. OF PART	Q"TY	MATERIAL	NOTES

← MM (INCH) →		MATERIAL:			
TOLERANCES EXCEPT AS NOTED		FINISH:			
.X ±	.X' ±	PART NO.:		NAME:	
.XX ±	.XX' ±	APPD: _____ CHKD: _____ DRFT: ZHUWM 02/17/'05		DG381-3.81-XXP-1Y-00A(H)	
.XXX ±	.XXX' ±			TITLE: ASSEMBLY DRAWING	
ANGLES ± 1°				DRAWING NO.: DG381-3.81-E02	
THIRD ANGLE PROJECTION		DO NOT SCALE DRAWING		SCALE	N/A
		SHEET		1/1	