



Elektrotechnik Karl-Heinz Mauz GmbH

GM12-N20VA-08220-298-20M3 (Artikel-Nr. 860507)

EKULIT

SPECIFICATIONS:

| Item | Unit | Specification |
|------------------------------------|-------|----------------------------|
| Rated voltage | VDC | 6.0 |
| Gear Ratio | | 1/298 |
| Rotation | | CW |
| Motor Position | | All position in horizontal |
| Temperature | °C | 0~30 |
| Humidity | % | 30~95 |
| • Performance of Motor | | |
| No-load Speed | rpm | 16.000±10% |
| No-load Current | mA | 35 (max.) |
| Stall Current | mA | 600 (max.) |
| Stall Torque | g.cm | 10 |
| • Performance of Gear motor | | |
| Output Speed | rpm | 55±10% |
| No-load Current | mA | 50 (max.) |
| Stall Current | mA | 600 (max.) |
| Stall Torque | kg.cm | 3 |
| Rated Torque | g.cm | 750 |
| Rated Current | mA | 150 (max.) |
| Noise | dB | 50 |
| • The Dimension | | |
| The Outside Shaft Length | mm | 20 |
| Shaft End Play | mm | 0.05-0.30 |
| Screw Size | | M1.6*0.35 |
| Dia of Shaft | mm | M3 threaded shaft |

Adresse: Felix-Wankel-Str. 35 • 73760 Ostfildern/Nellingen

Tel: +49-711/3414023

Fax: +49-711/3414024

E-mail: info@ekulit.de Web site: www.EKULIT.de

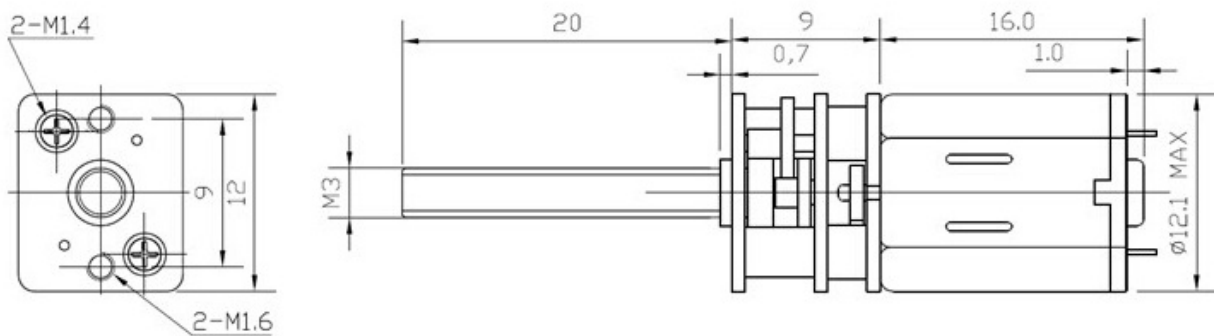
Elektrotechnik Karl-Heinz Mauz GmbH

GM10-M10VA-06205-250-10D (Artikel-Nr. 860507)

EKULIT

DIMENSIONS :

(Unit: mm)



Curve drawings:

