



## IEC HIGH-SPEED CYLINDRICAL FUSE-LINKS AC PROTECTION 292 - 296

Protistor® size 10x38 aR (URB/D/L) .....	292
Protistor® size 10x38 gR .....	292
Protistor® size 14x51 aR .....	293
Protistor® size 14x51 gR .....	293
Protistor® size 22x58 aR .....	294
Protistor® size 22x58 gR .....	295
Protistor® size 27x60 aR (URGD) .....	295
Protistor® size 27x60 gR (gRB) .....	296



## FUSE HOLDERS FOR HIGH-SPEED CYLINDRICAL FUSE-LINKS 297 - 304

Modulostar® CUS10 .....	297
UltraSafe™ US14 .....	298
UltraSafe™ US22 .....	300
Modulostar® CMS27 - Ultrasafe™ US27 .....	302
Modulostar® CUSCC .....	304



## SQUARE BODY HIGH-SPEED FUSE-LINKS AC PROTECTION 305 - 328

Protistor® size 30 aR .....	305
Protistor® size 31 aR .....	307
Protistor® size 32 aR .....	310
Protistor® size 33 aR .....	313
Protistor® size 2x32 and 2x33 aR .....	316
Protistor® size 70 aR .....	317
Protistor® size 71 aR .....	319
Protistor® size 72 aR .....	321
Protistor® size 73 aR .....	323
Protistor® size 2x72 and 2x73 aR .....	325
Protistor® size 70 gR .....	326
Protistor® size 71 gR .....	326
Protistor® size 72 gR .....	327
Protistor® size 73 gR .....	328



## MICROSWITCHES 329

Microswitches for Protistor® fuse-links .....	329
---	-----



## SQUARE BODY HIGH-SPEED FUSE-LINKS AC PROTECTION 330

Protistor® size 000/00 aR .....	330
---------------------------------	-----



## NH SQUARE BODY HIGH-SPEED FUSE-LINKS AC PROTECTION 332 - 334

Protistor® size NH 000, 00, 0, 1, 2, 3 aR .....	332
Protistor® size NH 000, 00, 1, 2, 3 gS .....	334



## MICROSWITCHES 335

Microswitches for Protistor NH fuse-links .....	335
---	-----

## Protistor® size 10x38 aR (URB/D/L)

PRODUCT RANGE

500 to 600VAC



A060UD0.125T13

## Size 10x38 aR 600VAC without striker

Catalog number	Item number	Rated voltage AC (IEC)	Rated current I <sub>n</sub>	Clearing I <sup>2</sup> t at Rated Voltage	Rated breaking capacity AC	Power dissipation at I <sub>n</sub>	Package	Weight
A060UD0.100T13	H077632	600 V	0.1 A	0.0012 A <sup>2</sup> s	200 kA	0.4 W	10	8 g
A060UD0.125T13	J077633	600 V	0.125 A	0.0023 A <sup>2</sup> s	200 kA	0.44 W	10	8 g
A060UD0.160T13	K077634	600 V	0.16 A	0.0052 A <sup>2</sup> s	200 kA	0.48 W	10	8 g
A060UD0.200T13	L077635	600 V	0.2 A	0.008 A <sup>2</sup> s	200 kA	0.58 W	10	8 g
A060UD0.250T13	M077636	600 V	0.25 A	0.018 A <sup>2</sup> s	200 kA	0.6 W	10	8 g
A060UD0.315T13	N077637	600 V	0.315 A	0.033 A <sup>2</sup> s	200 kA	0.73 W	10	8 g
A060UD0.400T13	P077638	600 V	0.4 A	0.056 A <sup>2</sup> s	200 kA	0.8 W	10	8 g
A060UD0.500T13	Q077639	600 V	0.5 A	0.1 A <sup>2</sup> s	200 kA	0.8 W	10	8 g
A060UD0.630T13	R077640	600 V	0.63 A	0.18 A <sup>2</sup> s	200 kA	0.9 W	10	8 g



A050URD1T13I

## Size 10x38 aR 500VAC with striker

Catalog number	Item number	Rated voltage AC (IEC)	Rated current I <sub>n</sub>	Pre-arcing I <sup>2</sup> t	Clearing I <sup>2</sup> t at Rated Voltage	Rated breaking capacity AC	Power dissipation at I <sub>n</sub>	Package	Weight
A050URD1T13I	P076925	500 V	1 A	0.4 A <sup>2</sup> s	3.6 A <sup>2</sup> s	50 kA	0.7 W	10	9.2 g
A050URD1.2T13I	H076597	500 V	1.25 A	0.13 A <sup>2</sup> s	1.7 A <sup>2</sup> s	50 kA	0.91 W	10	9.2 g
A050URD1.6T13I	G076596	500 V	1.6 A	0.31 A <sup>2</sup> s	2.2 A <sup>2</sup> s	50 kA	1 W	10	9.2 g
A050URD2T13I	Q076926	500 V	2 A	0.65 A <sup>2</sup> s	3.1 A <sup>2</sup> s	50 kA	1.1 W	10	9.2 g
A050URD2.5T13I	F076595	500 V	2.5 A	1.65 A <sup>2</sup> s	5.9 A <sup>2</sup> s	50 kA	1.1 W	10	9.2 g
A050URD3T13I	R076927	500 V	3.15 A	2.8 A <sup>2</sup> s	9 A <sup>2</sup> s	50 kA	1.5 W	10	9.2 g
A050URD4T13I	S076928	500 V	4 A	5.3 A <sup>2</sup> s	16 A <sup>2</sup> s	50 kA	1.8 W	10	9.2 g
A050URD5T13I	T076929	500 V	5 A	12.7 A <sup>2</sup> s	36 A <sup>2</sup> s	50 kA	0.8 W	10	9.2 g
A050URB6T13I	V076930	500 V	6 A	1.3 A <sup>2</sup> s	47 A <sup>2</sup> s	50 kA	1.35 W	10	9.2 g
A050URB8T13I	W076931	500 V	8 A	2.3 A <sup>2</sup> s	80 A <sup>2</sup> s	50 kA	1.585 W	10	9.2 g
A050URB10T13I	X076932	500 V	10 A	3.6 A <sup>2</sup> s	110 A <sup>2</sup> s	50 kA	1.9 W	10	9.2 g
A050URB12T13I	Y076933	500 V	12 A	5.25 A <sup>2</sup> s	150 A <sup>2</sup> s	50 kA	2.3 W	10	9.2 g
A050URB16T13I	Z076934	500 V	16 A	9.3 A <sup>2</sup> s	200 A <sup>2</sup> s	50 kA	3.1 W	10	9.2 g
A050URB20T13I	A076935	500 V	20 A	16 A <sup>2</sup> s	290 A <sup>2</sup> s	50 kA	3.2 W	10	9.2 g
A050URL25T13I	B076936	500 V	25 A	37 A <sup>2</sup> s	580 A <sup>2</sup> s	50 kA	4.25 W	10	9.2 g
A050URL30T13I	C076937	500 V	30 A	58 A <sup>2</sup> s	900 A <sup>2</sup> s	50 kA	5.1 W	10	9.2 g

## Protistor® size 10x38 gR

PRODUCT RANGE

690VAC



FR10GR69V3

## Size 10x38 gR 690VAC without striker

Catalog number	Item number	Rated voltage AC (IEC)	Rated current I <sub>n</sub>	Pre-arcing I <sup>2</sup> t	Clearing I <sup>2</sup> t at Rated Voltage	Rated breaking capacity AC	Power dissipation at I <sub>n</sub>	Package	Weight
FR10GR69V1	L1014563	690 V	1 A	0.17 A <sup>2</sup> s	0.48 A <sup>2</sup> s	160 kA	0.8 W	10	8 g
FR10GR69V1.25	N1014565	690 V	1.25 A	0.18 A <sup>2</sup> s	0.55 A <sup>2</sup> s	160 kA	1.5 W	10	8 g
FR10GR69V1.5	P1014566	690 V	1.5 A	0.31 A <sup>2</sup> s	0.8 A <sup>2</sup> s	160 kA	1.2 W	10	8 g
FR10GR69V2	Q1014567	690 V	2 A	0.94 A <sup>2</sup> s	2.5 A <sup>2</sup> s	160 kA	1.3 W	10	8 g
FR10GR69V2.5	T1014570	690 V	2.5 A	1.65 A <sup>2</sup> s	4.5 A <sup>2</sup> s	160 kA	1.4 W	10	8 g
FR10GR69V3	V1014571	690 V	3 A	2.83 A <sup>2</sup> s	7.8 A <sup>2</sup> s	160 kA	1.5 W	10	8 g
FR10GR69V4	W1014572	690 V	4 A	6.7 A <sup>2</sup> s	12 A <sup>2</sup> s	160 kA	1.7 W	10	8 g
FR10GR69V5	X1014573	690 V	5 A	7 A <sup>2</sup> s	30 A <sup>2</sup> s	160 kA	0.9 W	10	8 g
FR10GR69V6	Y1014574	690 V	6 A	9 A <sup>2</sup> s	40 A <sup>2</sup> s	160 kA	1.4 W	10	8 g
FR10GR69V8	Z1014575	690 V	8 A	5.4 A <sup>2</sup> s	35 A <sup>2</sup> s	160 kA	1.9 W	10	8 g
FR10GR69V10	A1014576	690 V	10 A	6.7 A <sup>2</sup> s	55 A <sup>2</sup> s	160 kA	2.1 W	10	8 g
FR10GR69V12.5	C1014578	690 V	12.5 A	11 A <sup>2</sup> s	90 A <sup>2</sup> s	160 kA	2.8 W	10	8 g
FR10GR69V16	D1014579	690 V	16 A	19 A <sup>2</sup> s	140 A <sup>2</sup> s	160 kA	3 W	10	8 g
FR10GR69V20	E1014580	690 V	20 A	39 A <sup>2</sup> s	245 A <sup>2</sup> s	160 kA	3.7 W	10	8 g
FR10GR69V25	F1014581	690 V	25 A	69 A <sup>2</sup> s	425 A <sup>2</sup> s	160 kA	4.3 W	10	8 g
FR10GR69V30	G1014582	690 V	30 A	107 A <sup>2</sup> s	675 A <sup>2</sup> s	160 kA	4.8 W	10	8 g
FR10GR69V32	H1014583	690 V	32 A	154 A <sup>2</sup> s	945 A <sup>2</sup> s	160 kA	5.1 W	10	8 g

MERSEN reserves the right to change, update or correct, without notice, any information contained in this datasheet.

Protistor® size 14x51 aR

690VAC (IEC) / 700VAC (UL)

PRODUCT RANGE



FR14AR69V16T

Size 14x51 aR with striker

Catalog number	Item number	Rated voltage AC (IEC)	Rated current I <sub>n</sub>	Pre-arcing I <sup>2</sup> t	Clearing I <sup>2</sup> t at Rated Voltage	Rated breaking capacity AC	Power dissipation at I <sub>n</sub>	Package	Weight
FR14AR69V6T	P1056656	690 V	6 A	2.4 A <sup>2</sup> s	20 A <sup>2</sup> s	160 kA	1.5 W	10	20 g
FR14AR69V8T	Q1056657	690 V	8 A	3.3 A <sup>2</sup> s	30 A <sup>2</sup> s	160 kA	2 W	10	20 g
FR14AR69V10T	R1056658	690 V	10 A	4.3 A <sup>2</sup> s	40 A <sup>2</sup> s	160 kA	3 W	10	20 g
FR14AR69V12T	S1056659	690 V	12 A	5.4 A <sup>2</sup> s	55 A <sup>2</sup> s	160 kA	4 W	10	20 g
FR14AR69V16T	T1056660	690 V	16 A	11.3 A <sup>2</sup> s	100 A <sup>2</sup> s	160 kA	5 W	10	20 g
FR14AR69V20T	V1056661	690 V	20 A	21.7 A <sup>2</sup> s	160 A <sup>2</sup> s	160 kA	5.5 W	10	20 g
FR14AR69V25T	W1056662	690 V	25 A	45.3 A <sup>2</sup> s	345 A <sup>2</sup> s	160 kA	6 W	10	20 g
FR14AR69V32T	X1056663	690 V	32 A	77.4 A <sup>2</sup> s	500 A <sup>2</sup> s	160 kA	7.7 W	10	20 g
FR14AR69V40T	Y1056664	690 V	40 A	129.6 A <sup>2</sup> s	850 A <sup>2</sup> s	160 kA	9.2 W	10	20 g
FR14AR69V50T	Z1056665	690 V	50 A	241.1 A <sup>2</sup> s	1500 A <sup>2</sup> s	160 kA	11.2 W	10	20 g
FR14AR69V63T	A1056666	690 V	63 A	428.6 A <sup>2</sup> s	2600 A <sup>2</sup> s	160 kA	14.3 W	10	20 g



FR14AR69V50

Size 14x51 aR without striker

Catalog number	Item number	Rated voltage AC (IEC)	Rated current I <sub>n</sub>	Pre-arcing I <sup>2</sup> t	Clearing I <sup>2</sup> t at Rated Voltage	Rated breaking capacity AC	Power dissipation at I <sub>n</sub>	Package	Weight
FR14AR69V6	H1027325	690 V	6 A	2.4 A <sup>2</sup> s	20 A <sup>2</sup> s	160 kA	1.5 W	10	20 g
FR14AR69V8	J1027326	690 V	8 A	3.3 A <sup>2</sup> s	30 A <sup>2</sup> s	160 kA	2 W	10	20 g
FR14AR69V10	K1027327	690 V	10 A	4.3 A <sup>2</sup> s	40 A <sup>2</sup> s	160 kA	3 W	10	20 g
FR14AR69V12	L1027328	690 V	12 A	5.4 A <sup>2</sup> s	55 A <sup>2</sup> s	160 kA	4 W	10	20 g
FR14AR69V16	M1027329	690 V	16 A	11.3 A <sup>2</sup> s	100 A <sup>2</sup> s	160 kA	5 W	10	20 g
FR14AR69V20	N1027330	690 V	20 A	21.7 A <sup>2</sup> s	160 A <sup>2</sup> s	160 kA	5.5 W	10	20 g
FR14AR69V25	P1027331	690 V	25 A	45.3 A <sup>2</sup> s	345 A <sup>2</sup> s	160 kA	6 W	10	20 g
FR14AR69V32	Q1027332	690 V	32 A	77.4 A <sup>2</sup> s	500 A <sup>2</sup> s	160 kA	7.7 W	10	20 g
FR14AR69V40	R1027333	690 V	40 A	129.6 A <sup>2</sup> s	850 A <sup>2</sup> s	160 kA	9.2 W	10	20 g
FR14AR69V50	S1027334	690 V	50 A	241.1 A <sup>2</sup> s	1500 A <sup>2</sup> s	160 kA	11.2 W	10	20 g
FR14AR69V63	T1027335	690 V	63 A	428.6 A <sup>2</sup> s	2600 A <sup>2</sup> s	160 kA	14.3 W	10	20 g

Protistor® size 14x51 gR

690VAC (IEC) / 700VAC (UL)

PRODUCT RANGE



FR14GR69V63T

CP 14x51 gR with striker

Catalog number	Item number	Rated voltage AC (IEC)	Rated current I <sub>n</sub>	Pre-arcing I <sup>2</sup> t	Clearing I <sup>2</sup> t at Rated Voltage	Rated breaking capacity AC	Power dissipation at I <sub>n</sub>	Package	Weight
FR14GR69V2T	D1017178	690 V	2 A	0.9 A <sup>2</sup> s	1.8 A <sup>2</sup> s	160 kA	1.75 W	10	20 g
FR14GR69V4T	E1017179	690 V	4 A	6.7 A <sup>2</sup> s	13 A <sup>2</sup> s	160 kA	2.9 W	10	20 g
FR14GR69V6T	F1017180	690 V	6 A	8 A <sup>2</sup> s	35 A <sup>2</sup> s	160 kA	2 W	10	20 g
FR14GR69V8T	G1017181	690 V	8 A	4.3 A <sup>2</sup> s	40 A <sup>2</sup> s	160 kA	2.25 W	10	20 g
FR14GR69V10T	H1017182	690 V	10 A	4.3 A <sup>2</sup> s	45 A <sup>2</sup> s	160 kA	2.95 W	10	20 g
FR14GR69V12T	J1017183	690 V	12 A	5.4 A <sup>2</sup> s	60 A <sup>2</sup> s	160 kA	4.1 W	10	20 g
FR14GR69V16T	K1017184	690 V	16 A	13.1 A <sup>2</sup> s	125 A <sup>2</sup> s	160 kA	4.65 W	10	20 g
FR14GR69V20T	L1017185	690 V	20 A	26.8 A <sup>2</sup> s	230 A <sup>2</sup> s	160 kA	4.8 W	10	20 g
FR14GR69V25T	M1017186	690 V	25 A	52.5 A <sup>2</sup> s	385 A <sup>2</sup> s	160 kA	5.95 W	10	20 g
FR14GR69V32T	Q1017189	690 V	32 A	96.7 A <sup>2</sup> s	700 A <sup>2</sup> s	160 kA	6.9 W	10	20 g
FR14GR69V40T	S1017191	690 V	40 A	210 A <sup>2</sup> s	1050 A <sup>2</sup> s	160 kA	7.5 W	10	20 g
FR14GR69V50T	T1017192	690 V	50 A	387 A <sup>2</sup> s	2250 A <sup>2</sup> s	160 kA	8.75 W	10	20 g
FR14GR69V63T	V1017193	690 V	63 A	617 A <sup>2</sup> s	2900 A <sup>2</sup> s	160 kA	12.5 W	10	20 g

MERSEN reserves the right to change, update or correct, without notice, any information contained in this datasheet.

Protistor® size 14x51 gR

690VAC (IEC) / 700VAC (UL)

PRODUCT RANGE



FR14GR69V63

CP 14x51 gR without striker

Catalog number	Item number	Rated voltage AC (IEC)	Rated current I <sub>n</sub>	Pre-arcing I <sup>2</sup> t	Clearing I <sup>2</sup> t at Rated Voltage	Rated breaking capacity AC	Power dissipation at I <sub>n</sub>	Package	Weight
FR14GR69V1	X1017195	690 V	1 A	0.2 A <sup>2</sup> s	0.3 A <sup>2</sup> s	160 kA	1.15 W	10	20 g
FR14GR69V2	Y1017196	690 V	2 A	0.9 A <sup>2</sup> s	1.8 A <sup>2</sup> s	160 kA	1.75 W	10	20 g
FR14GR69V4	Z1017197	690 V	4 A	6.7 A <sup>2</sup> s	13 A <sup>2</sup> s	160 kA	2.9 W	10	20 g
FR14GR69V6	A1017198	690 V	6 A	8 A <sup>2</sup> s	35 A <sup>2</sup> s	160 kA	2 W	10	20 g
FR14GR69V8	B1017199	690 V	8 A	4.3 A <sup>2</sup> s	40 A <sup>2</sup> s	160 kA	2.25 W	10	20 g
FR14GR69V10	C1017200	690 V	10 A	4.3 A <sup>2</sup> s	45 A <sup>2</sup> s	160 kA	2.95 W	10	20 g
FR14GR69V12	D1017201	690 V	12 A	5.4 A <sup>2</sup> s	60 A <sup>2</sup> s	160 kA	4.1 W	10	20 g
FR14GR69V16	E1017202	690 V	16 A	13.1 A <sup>2</sup> s	125 A <sup>2</sup> s	160 kA	4.65 W	10	20 g
FR14GR69V20	F1017203	690 V	20 A	26.8 A <sup>2</sup> s	230 A <sup>2</sup> s	160 kA	4.8 W	10	20 g
FR14GR69V25	G1017204	690 V	25 A	52.5 A <sup>2</sup> s	385 A <sup>2</sup> s	160 kA	5.95 W	10	20 g
FR14GR69V32	H1017205	690 V	32 A	96.7 A <sup>2</sup> s	700 A <sup>2</sup> s	160 kA	6.9 W	10	20 g
FR14GR69V40	J1017206	690 V	40 A	210 A <sup>2</sup> s	1050 A <sup>2</sup> s	160 kA	7.5 W	10	20 g
FR14GR69V50	K1017207	690 V	50 A	387 A <sup>2</sup> s	2250 A <sup>2</sup> s	160 kA	8.75 W	10	20 g
FR14GR69V63	L1017208	690 V	63 A	617 A <sup>2</sup> s	2900 A <sup>2</sup> s	160 kA	12.5 W	10	20 g

Protistor® size 22x58 aR

690VAC (IEC) / 700VAC (UL)

PRODUCT RANGE



FR22AR69V135T

Size 22x58 aR with striker

Catalog number	Item number	Rated voltage AC (IEC)	Rated current I <sub>n</sub>	Pre-arcing I <sup>2</sup> t	Clearing I <sup>2</sup> t at Rated Voltage	Rated breaking capacity AC	Power dissipation at I <sub>n</sub>	Package	Weight
FR22AR69V25T	B1056667	690 V	25 A	32.4 A <sup>2</sup> s	300 A <sup>2</sup> s	160 kA	8.5 W	10	57 g
FR22AR69V32T	C1056668	690 V	32 A	60.3 A <sup>2</sup> s	650 A <sup>2</sup> s	160 kA	10.5 W	10	57 g
FR22AR69V40T	D1056669	690 V	40 A	101.8 A <sup>2</sup> s	950 A <sup>2</sup> s	160 kA	12 W	10	57 g
FR22AR69V50T	E1056670	690 V	50 A	217.6 A <sup>2</sup> s	1850 A <sup>2</sup> s	160 kA	13.4 W	10	57 g
FR22AR69V63T	F1056671	690 V	63 A	386.8 A <sup>2</sup> s	3100 A <sup>2</sup> s	160 kA	15.5 W	10	57 g
FR22AR69V80T	G1056672	690 V	80 A	840.1 A <sup>2</sup> s	6800 A <sup>2</sup> s	160 kA	16 W	10	57 g
FR22AR69V100T	H1056673	690 V	100 A	1890 A <sup>2</sup> s	13000 A <sup>2</sup> s	160 kA	17.8 W	10	57 g
FR22AR69V125T	J1056674	690 V	125 A	2897 A <sup>2</sup> s	15500 A <sup>2</sup> s	160 kA	22.8 W	10	57 g
FR22AR69V135T	K1056675	690 V	135 A	3360 A <sup>2</sup> s	18500 A <sup>2</sup> s	160 kA	27 W	10	57 g



FR22AR69V63

Size 22x58 aR without striker

Catalog number	Item number	Rated voltage AC (IEC)	Rated current I <sub>n</sub>	Pre-arcing I <sup>2</sup> t	Clearing I <sup>2</sup> t at Rated Voltage	Rated breaking capacity AC	Power dissipation at I <sub>n</sub>	Package	Weight
FR22AR69V25	Y1027316	690 V	25 A	32.4 A <sup>2</sup> s	300 A <sup>2</sup> s	160 kA	8.5 W	10	57 g
FR22AR69V32	Z1027317	690 V	32 A	60.3 A <sup>2</sup> s	650 A <sup>2</sup> s	160 kA	10.5 W	10	57 g
FR22AR69V40	A1027318	690 V	40 A	101.8 A <sup>2</sup> s	950 A <sup>2</sup> s	160 kA	12 W	10	57 g
FR22AR69V50	B1027319	690 V	50 A	217.6 A <sup>2</sup> s	1850 A <sup>2</sup> s	160 kA	13.4 W	10	57 g
FR22AR69V63	C1027320	690 V	63 A	386.8 A <sup>2</sup> s	3100 A <sup>2</sup> s	160 kA	15.5 W	10	57 g
FR22AR69V80	D1027321	690 V	80 A	840.1 A <sup>2</sup> s	6800 A <sup>2</sup> s	160 kA	16 W	10	57 g
FR22AR69V100	E1027322	690 V	100 A	1890 A <sup>2</sup> s	13000 A <sup>2</sup> s	160 kA	17.8 W	10	57 g
FR22AR69V125	F1027323	690 V	125 A	2897 A <sup>2</sup> s	15500 A <sup>2</sup> s	160 kA	22.8 W	10	57 g
FR22AR69V135	G1027324	690 V	135 A	3360 A <sup>2</sup> s	18500 A <sup>2</sup> s	160 kA	27 W	10	57 g

MERSEN reserves the right to change, update or correct, without notice, any information contained in this datasheet.

Protistor® size 22x58 gR

690VAC (IEC) / 700VAC (UL)

PRODUCT RANGE



FR22GR69V12T

CP 22x58 gR with striker

Catalog number	Item number	Rated voltage AC (IEC)	Rated current I <sub>n</sub>	Pre-arcing I <sup>2</sup> t	Clearing I <sup>2</sup> t at Rated Voltage	Rated breaking capacity AC	Power dissipation at I <sub>n</sub>	Package	Weight
FR22GR69V12T	W1018620	690 V	12 A	5.4 A <sup>2</sup> s	60 A <sup>2</sup> s	160 kA	4.4 W	10	60 g
FR22GR69V16T	X1018621	690 V	16 A	13.1 A <sup>2</sup> s	125 A <sup>2</sup> s	160 kA	4.65 W	10	60 g
FR22GR69V20T	Y1018622	690 V	20 A	17.1 A <sup>2</sup> s	160 A <sup>2</sup> s	160 kA	7 W	10	60 g
FR22GR69V25T	Z1018623	690 V	25 A	38.6 A <sup>2</sup> s	315 A <sup>2</sup> s	160 kA	7.65 W	10	60 g
FR22GR69V32T	A1018624	690 V	32 A	77.4 A <sup>2</sup> s	670 A <sup>2</sup> s	160 kA	9.1 W	10	60 g
FR22GR69V40T	B1018625	690 V	40 A	154 A <sup>2</sup> s	1050 A <sup>2</sup> s	160 kA	9.5 W	10	60 g
FR22GR69V50T	C1018626	690 V	50 A	292 A <sup>2</sup> s	2050 A <sup>2</sup> s	160 kA	11.8 W	10	60 g
FR22GR69V63T	D1018627	690 V	63 A	519 A <sup>2</sup> s	3350 A <sup>2</sup> s	160 kA	13.6 W	10	60 g
FR22GR69V80T	E1018628	690 V	80 A	1240 A <sup>2</sup> s	7600 A <sup>2</sup> s	160 kA	13.8 W	10	60 g
FR22GR69V100T	F1018629	690 V	100 A	2470 A <sup>2</sup> s	14500 A <sup>2</sup> s	160 kA	16 W	10	60 g
FR22GR69V125T	G1018630	690 V	125 A	3360 A <sup>2</sup> s	16800 A <sup>2</sup> s	160 kA	22.8 W	10	60 g
FR22GR69V135T	H1018631	690 V	135 A	4390 A <sup>2</sup> s	19800 A <sup>2</sup> s	160 kA	25.5 W	10	60 g



FR22GR69V12

CP 22x58 gR without striker

Catalog number	Item number	Rated voltage AC (IEC)	Rated current I <sub>n</sub>	Pre-arcing I <sup>2</sup> t	Clearing I <sup>2</sup> t at Rated Voltage	Rated breaking capacity AC	Power dissipation at I <sub>n</sub>	Package	Weight
FR22GR69V12	W1018551	690 V	12 A	5.4 A <sup>2</sup> s	60 A <sup>2</sup> s	160 kA	4.4 W	10	60 g
FR22GR69V16	X1018552	690 V	16 A	13.1 A <sup>2</sup> s	125 A <sup>2</sup> s	160 kA	4.65 W	10	60 g
FR22GR69V20	Y1018553	690 V	20 A	17.1 A <sup>2</sup> s	160 A <sup>2</sup> s	160 kA	7 W	10	60 g
FR22GR69V25	Z1018554	690 V	25 A	38.6 A <sup>2</sup> s	315 A <sup>2</sup> s	160 kA	7.65 W	10	60 g
FR22GR69V32	A1018555	690 V	32 A	77.4 A <sup>2</sup> s	670 A <sup>2</sup> s	160 kA	9.1 W	10	60 g
FR22GR69V40	B1018556	690 V	40 A	154 A <sup>2</sup> s	1050 A <sup>2</sup> s	160 kA	9.5 W	10	60 g
FR22GR69V50	C1018557	690 V	50 A	292 A <sup>2</sup> s	2050 A <sup>2</sup> s	160 kA	11.8 W	10	60 g
FR22GR69V63	D1018558	690 V	63 A	519 A <sup>2</sup> s	3350 A <sup>2</sup> s	160 kA	13.6 W	10	60 g
FR22GR69V80	E1018559	690 V	80 A	1240 A <sup>2</sup> s	7600 A <sup>2</sup> s	160 kA	13.8 W	10	60 g
FR22GR69V100	F1018560	690 V	100 A	2470 A <sup>2</sup> s	14500 A <sup>2</sup> s	160 kA	16 W	10	60 g
FR22GR69V125	G1018561	690 V	125 A	3360 A <sup>2</sup> s	16800 A <sup>2</sup> s	160 kA	22.8 W	10	60 g
FR22GR69V135	H1018562	690 V	135 A	4390 A <sup>2</sup> s	19800 A <sup>2</sup> s	160 kA	25.5 W	10	60 g

Protistor® size 27x60 aR (URGD)

600VAC to 690VAC

PRODUCT RANGE



FR27UD69V125T

Size 27x60 aR (URGD) 600 to 690VAC with trip-indicator

Catalog number	Item number	Rated voltage AC (IEC)	Rated current I <sub>n</sub>	Pre-arcing I <sup>2</sup> t	Rated breaking capacity AC	Power dissipation at I <sub>n</sub>	Operating I <sup>2</sup> t at Rated Voltage	Package	Weight
FR27UD69V63T	A076820	690 V	63 A	0.405 kA <sup>2</sup> s	200 kA	22 W	1.84 kA <sup>2</sup> s	10	80 g
FR27UD69V80T	B076821	690 V	80 A	0.86 kA <sup>2</sup> s	200 kA	24.6 W	3.75 kA <sup>2</sup> s	10	80 g
FR27UD69V100T	C076822	690 V	100 A	1.62 kA <sup>2</sup> s	200 kA	27 W	6.8 kA <sup>2</sup> s	10	80 g
FR27UD69V125T	D076823	690 V	125 A	3.425 kA <sup>2</sup> s	200 kA	29.9 W	13.6 kA <sup>2</sup> s	10	80 g
FR27UD69V160T	E076824	690 V	160 A	6.48 kA <sup>2</sup> s	200 kA	32.5 W	24.6 kA <sup>2</sup> s	10	80 g
FR27UD69V200T	F076825	690 V	200 A	13.7 kA <sup>2</sup> s	200 kA	35.7 W	61.5 kA <sup>2</sup> s	10	80 g
FR27UD60V250T	W076264	600 V	250 A	29.6 kA <sup>2</sup> s	200 kA	40 W	107 kA <sup>2</sup> s	10	80 g

MERSEN reserves the right to change, update or correct, without notice, any information contained in this datasheet.

## Protistor® size 27x60 gR (gRB)

PRODUCT RANGE

800VAC (IEC)



FR27GB80V110T

## Size 27x60 gRB 800VAC with trip-indicator

Catalog number	Item number	Size	Rated voltage AC (IEC)	Rated current I <sub>n</sub>	Clearing I <sup>2</sup> t at Rated Voltage	Rated breaking capacity AC	Power dissipation at I <sub>n</sub>	Package	Weight
FR27GB80V8T	R221436	26x60	800 V	8 A	70 A <sup>2</sup> s	90 kA	2 W	3/10	80 g
FR27GB80V100T	D221447	26x60	800 V	100 A	19000 A <sup>2</sup> s	90 kA	13 W	3/10	80 g
FR27GB80V110T	E221448	26x60	800 V	110 A	27000 A <sup>2</sup> s	90 kA	14 W	3/10	80 g
FR27GB80V10T	S221437	26x60	800 V	10 A	100 A <sup>2</sup> s	90 kA	2.3 W	3/10	80 g
FR27GB80V12T	T221438	26x60	800 V	12 A	180 A <sup>2</sup> s	90 kA	2.5 W	3/10	80 g
FR27GB80V16T	V221439	26x60	800 V	16 A	250 A <sup>2</sup> s	90 kA	3.5 W	3/10	80 g
FR27GB80V20T	W221440	26x60	800 V	20 A	350 A <sup>2</sup> s	90 kA	4 W	3/10	80 g
FR27GB80V25T	X221441	26x60	800 V	25 A	600 A <sup>2</sup> s	90 kA	5 W	3/10	80 g
FR27GB80V32T	Y221442	26x60	800 V	32 A	1000 A <sup>2</sup> s	90 kA	6 W	3/10	80 g
FR27GB80V40T	Z221443	26x60	800 V	40 A	1400 A <sup>2</sup> s	90 kA	8 W	3/10	80 g
FR27GB80V50T	A221444	26x60	800 V	50 A	2700 A <sup>2</sup> s	90 kA	8.5 W	3/10	80 g
FR27GB80V63T	B221445	26x60	800 V	63 A	5500 A <sup>2</sup> s	90 kA	10 W	3/10	80 g
FR27GB80V80T	C221446	26x60	800 V	80 A	11000 A <sup>2</sup> s	90 kA	11.5 W	3/10	80 g



# Modulostar® CUS10

PRODUCT RANGE

Modular fuse-holders



CUS101

### Modulostar™ compact fuse holders for 10.3x38.1 fuse-links, without indicator

Catalog number	Item number	Number of poles/phases	Design	Package
CUS101	G1062721	1	CUS10 single pole	12
CUS101N	C1062717	1+N	CUS10 single pole + neutral conductor	6
CUS102	D1062718	2	CUS10 double pole	6
CUS103	A1062715	3	CUS10 triple pole	4
CUS103N	W1062711	3+N	CUS10 triple pole + neutral conductor	3
CUS104	X1062712	4	CUS10 quadruple pole	3
CUS10N	H1062722	N	CUS10 neutral conductor	12



CUS101I

### Modulostar™ compact fuse holders for 10.3x38.1 fuse-links, with standard indicator

Catalog number	Item number	Number of poles/phases	Design	Voltage limit for blown fuse indicator	Package
CUS101I	J1062723	1	CUS10 single pole	-	12
CUS101NI	E1062719	1+N	CUS10 single pole + neutral conductor	-	6
CUS102I	F1062720	2	CUS10 double pole	-	6
CUS103I	B1062716	3	CUS10 triple pole	-	4
CUS103NI	Y1062713	3+N	CUS10 triple pole + neutral conductor	-	3
CUS104I	Z1062714	4	CUS10 quadruple pole	-	3
-	on demand	-	Version with special indicator	Standard: 220V-700V AC/DC Very low: 20V-50V AC/DC Low: 50V-250V AC/DC 1000V: 220 - 1000V AC/DC	-

## ACCESSORIES



CMS810PAK

### Kit for multi phase connection

Catalog number	Item number	Features	Package	Weight
CMS810PAK	Z233725	Links for connection of multipole units	12	0.5 g



LOCK

### Locking devices

Catalog number	Item number	Features	Package	Weight
LOCK	M223525	Padlock	1	0.48 kg

MERSEN reserves the right to change, update or correct, without notice, any information contained in this datasheet.

## Modulostar® CUS10

Modular fuse-holders

ACCESSORIES



CMS810BB1F13



CMS810BB2F6

## Wiring bars / Insulated bus bars

Catalog number	Item number	Application	Features	Package	Weight
CMS810BB1F13	T210306	Max. rms current 63A, for installation of 13 modules	single pole, 10 mm <sup>2</sup> , partition 17,5 mm (distance of poles), peg design, L-shaped	10	33.5 g
CMS810BB2F6	V210307	Max. rms current 63A, for installation of 6 modules	double pole, 10 mm <sup>2</sup> , partition 17,5 mm (distance of poles), peg design, L-shaped	10	80 g
CMS810BB3F4	W210308	Max. rms current 100A, for installation of 4 modules	triple pole, 10 mm <sup>2</sup> , partition 17,5 mm (distance of poles), peg design, L-shaped	10	84 g
CMS810BB4F3	X210309	Max. rms current 100A, for installation of 3 modules	quadruple pole, 10 mm <sup>2</sup> , partition 17,5 mm (distance of poles), peg design, L-shaped	10	0.12 kg

## UltraSafe™ US14

Modular fuse-holders

PRODUCT RANGE



US143

## UltraSafe™ fuse holders for 14x51 fuse links, without indicator

Catalog number	Item number	Number of poles/phases	Design	Package	Weight
US141	Z331153	1	US14 single pole	6	0.14 kg
US141N	D331157	1 + N	US14 single pole + neutral conductor	3	0.30 kg
US142	G331137	2	US14 double pole	3	0.28 kg
US143	N331143	3	US14 triple pole	2	0.43 kg
US143N	X331151	3 + N	US14 triple pole + neutral conductor	1	0.6 kg



US141I

## UltraSafe™ fuse holders for 14x51 fuse links, with indicator

Catalog number	Item number	Number of poles/phases	Design	Package	Weight
US141I	A331154	1	US14 single pole	6	0.14 kg
US142I	H331138	2	US14 double pole	3	0.3 kg
US143I	P331144	3	US14 triple pole	2	0.44 kg

## UltraSafe™ fuse holders for 14x51 fuse-links, with auxiliary microswitch

Catalog number	Item number	Number of poles/phases	Design	Package	Weight
US142M	J331139	2	US14 double pole, 2 microswitches	3	0.31 kg



US143MI

## UltraSafe™ fuse holders for 14x51 fuse-links, with indicator and auxiliary microswitch

Catalog number	Item number	Number of poles/phases	Design	Package	Weight
US141MI	C331156	1	US14 single pole	6	0.15 kg
US142MI	K331140	2	US14 double pole	3	0.31 kg
US142M2I	M331142	2	US14 double pole	3	0.28 kg
US143MI	S331147	3	US14 triple pole	2	0.46 kg
US143M2I	W331150	3	US14 triple pole	2	0.46 kg

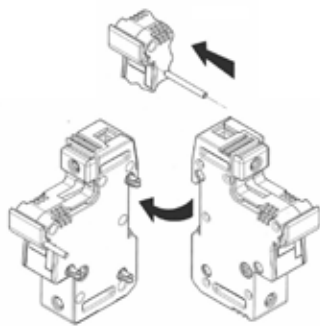
MERSEN reserves the right to change, update or correct, without notice, any information contained in this datasheet.



# UltraSafe™ US14

Modular fuse-holders

ACCESSORIES



Multiphase connection kit

### Kit for multi phase connection

Catalog number	Item number	Design	Package	Weight
US14PAK	US14PAK	links for connection of multipole units	10	2.5 g

### Indication facilities

Catalog number	Item number	Features	Package	Weight
CMS1422LHI	A225653	Indicator light kit	1	10 g

### Auxiliary Switches

Catalog number	Item number	Design	Package	Weight
USMSW1	Y227928	Auxiliary contact kit 1 pole US14	1	25 g
USMSW2	Z227929	Auxiliary contact kit 3 poles US14	1	20 g
USMSW3	A227930	2 Auxiliary contact kit 3 poles US14	1	27 g



LOCK

### Locking devices

Catalog number	Item number	Features	Package	Weight
LOCK	M223525	Padlock	1	0.48 kg



TBB1A

TBB1C



TBB23A

TBB23C

### Power supply

Catalog number	Item number	Application	Features	Package	Weight
TBB1A	D210315	Max. rms current 90A	1 phase axial incoming power supply	50	10.1 g
TBB1C	E210316	Max. rms current 90A	1 phase lateral incoming power supply	50	10 g
TBB23A	F210317	Max. rms current 90A	2 & 3 phases axial incoming power supply	50	23.3 g
TBB23C	G210318	Max. rms current 90A	2 & 3 phases lateral incoming power supply	50	23.1 g

### Wiring bars / Insulated bus bars



Catalog number	Item number	Design	Application	Package	Weight
CMS14BB3F4	A210312	triple pole	Max. rms current 100A, for installation of 4 modules	5	0.12 kg
CMS14BB2F6	Z210311	double pole	Max. rms current 63A, for installation of 6 modules	5	0.1 kg
CMS14BB1F12	Y210310	single pole	Max. rms current 63A, for installation of 12 modules	5	47.4 g

MERSEN reserves the right to change, update or correct, without notice, any information contained in this datasheet.

## UltraSafe™ US22

PRODUCT RANGE

Modular fuse-holders



US221

## UltraSafe™ fuse holders for 22x58 fuse links, without indicator

Catalog number	Item number	Number of poles/phases	Design	Package	Weight
US223	R331169	3	triple pole	2	0.64 kg
US223N	X331174	3 + N	triple pole + neutral conductor	1	0.91 kg
US221	E331158	1	single pole	6	0.21 kg
US222	K331163	2	double pole	3	0.44 kg
US221N	H331161	1 + N	single pole + neutral conductor	3	0.45 kg



US223I

## UltraSafe™ fuse holders for 22x58 fuse links, with indicator

Catalog number	Item number	Number of poles/phases	Design	Package	Weight
US221I	F331159	1	single pole	6	0.22 kg
US222I	L331164	2	double pole	3	0.33 kg
US223I	S331170	3	triple pole	2	0.44 kg



US222M

## UltraSafe™ fuse holders for 22x58 fuse links, with auxiliary microswitch

Catalog number	Item number	Number of poles/phases	Design	Package	Weight
US221M	G331160	1	single pole	6	0.15 kg
US221NM	J331162	1 + N	single pole + neutral conductor	3	0.47 kg
US222M	M331165	2	double pole	3	0.46 kg
US222M2	P331167	2	double pole	3	0.46 kg
US223M	T331171	3	triple pole	2	0.67 kg
US223M2	W331173	3	triple pole	2	0.67 kg



US222MI

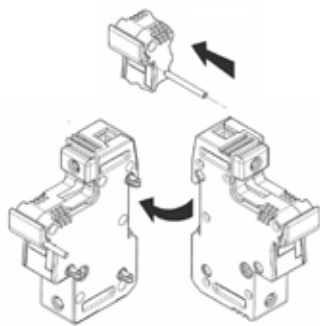
## UltraSafe™ fuse holders for 22x58 fuse links, with indicator and auxiliary microswitch

Catalog number	Item number	Number of poles/phases	Design	Package	Weight
US221MI	Z1006203	1	single pole	6	0.22 kg
US222MI	N331166	2	double pole	3	0.46 kg
US223M2I	X1011974	3	triple pole	2	0.65 kg
US222M2I	Q331168	2	double pole	3	0.47 kg
US223MI	V331172	3	triple pole	2	0.68 kg

# UltraSafe™ US22

Modular fuse-holders

ACCESSORIES



multiphase connection kit

### Kit for multi phase connection

Catalog number	Item number	Design	Package
US22PAK	US22PAK	links for connection of multipole units	10

### Indication facilities

Catalog number	Item number	Features	Package	Weight
CMS1422LHI	A225653	Indicator light kit	1	10 g

### Auxiliary Switches

Catalog number	Item number	Design	Package	Weight
CMS22W2	B331201	Auxiliary microswitch kit 3 poles CMS22	1	32 g
CMS22W3	N331189	2 Auxiliary microswitches kit 3 poles CMS22	1	35 g
USMSW4	G227959	Auxiliary contact kit 1 pole US22	1	20 g



LOCK

### Locking devices

Catalog number	Item number	Features	Package	Weight
LOCK	M223525	Padlock	1	0.48 kg



TBB1A

TBB1C

TBB23A

TBB23C

### Power supply

Catalog number	Item number	Application	Features	Package	Weight
TBB1A	D210315	Max. rms current 90A	1 phase axial incoming power supply	50	10.1 g
TBB1C	E210316	Max. rms current 90A	1 phase lateral incoming power supply	50	10 g
TBB23A	F210317	Max. rms current 90A	2 & 3 phases axial incoming power supply	50	23.3 g
TBB23C	G210318	Max. rms current 90A	2 & 3 phases lateral incoming power supply	50	23.1 g

### Wiring bars / Insulated bus bars



Catalog number	Item number	Design	Application	Package	Weight
CMS22BB2F6	C210314	double pole	Max. rms current 150A, for installation of 6 modules	5	0.30 kg
CMS22BB1F12	B210313	single pole	Max. rms current 90A, for installation of 12 modules	5	81 g

MERSEN reserves the right to change, update or correct, without notice, any information contained in this datasheet.

## Modulostar® CMS27 - Ultrasafe™ US27

PRODUCT RANGE

Modular fuse-holders



CMS271

## Modulostar® fuse holders for 27x60 fuse-links, without indicator

Catalog number	Item number	Number of poles/phases	Design	Package	Weight
CMS271	R210580	1	single pole	3	0.30 kg
CMS271N	S210581	1 + N	single pole + neutral conductor	1	0.72 kg
CMS272	T210582	2	double pole	1	0.67 kg
CMS273	V210583	3	triple pole	1	0.91 kg
CMS273N	W210584	3 + N	triple pole + neutral conductor	1	1.25 kg
CMS27N	B210152	N	neutral conductor	3	0.37 kg



US271I

## UltraSafe™ fuse holders for 27x60 fuse-links, with indicator

Catalog number	Item number	Number of poles/phases	Design	Package	Weight
US271I	J226420	1	single pole	3	0.30 kg
US271NI	K226421	1+N	single pole + neutral conductor	1	0.73 kg
US272I	L226422	2	double pole	1	0.67 kg
US273I	M226423	3	triple pole	3	1 kg
US273NI	N226424	3+N	triple pole + neutral conductor	1	1.27 kg



US273

## UltraSafe™ fuse holders for 27x60 fuse-links, without indicator

Catalog number	Item number	Number of poles/phases	Design	Package	Weight
US271	G320005	1	single pole	3	0.30 kg
US272	H320006	2	double pole	1	0.66 kg
US273	J320007	3	triple pole	3	0.9 kg
US27N	R232729	N	neutral conductor	3	0.37 kg



US271MI

## UltraSafe™ fuse holders for 27x60 fuse-links, with auxiliary microswitch and indicator

Catalog number	Item number	Number of poles/phases	Design	Package	Weight
US271MI	R227600	1	single pole	1	0.32 kg
US272M2I	T227602	2	double pole, 2 microswitches	1	0.7 kg
US272MI	S227601	2	double pole, 1 microswitch	1	0.68 kg

## UltraSafe™ fuse holders for 27x60 fuse-links, with auxiliary microswitch, indicator and ring lug connection

Catalog number	Item number	Number of poles/phases	Design	Package	Weight
US271MIRING	Z227607	1	single pole	1	0.54 kg
US272M2IRING	B227609	2	double pole, 2 microswitches	1	1.00 kg

## Modulostar® CMS27 - Ultrasafe™ US27

PRODUCT RANGE

Modular fuse-holders

## UltraSafe™ fuse holders for 27x60 fuse-links, with indicator and ring lug connection

Catalog number	Item number	Number of poles/phases	Design	Package	Weight
US271NIRING	E223518	1+N	single pole + neutral conductor	1	0.8 kg
US27IRING	B223515	1	single pole	3	0.47 kg
US272IRING	C223516	2	double pole	1	1.00 kg
US273IRING	D223517	3	triple pole	3	1.39 kg
US27NIRING	F223519	N	neutral conductor	3	0.34 kg

## ACCESSORIES

## Kit for multi phase connection

Catalog number	Item number	Design	Package	Weight
US27PAK	H227615	links for connection of multipole units	10	3 g

## Auxiliary Switches

Catalog number	Item number	Design	Package	Weight
US27W1	E227612	Microswitch kit	1	20 g

Modulostar® CUSCC

PRODUCT RANGE



CUSCC1

Modulostar™ CUSCC without indicator

Catalog number	Item number	Number of poles/phases	Design	Package	Weight
CUSCC1	N1062796	1	CUSCC single pole	12	70 g
CUSCC1N	J1062792	1 + N	CUSCC single pole + neutral conductor	6	0.13 kg
CUSCC2	K1062793	2	CUSCC double pole	6	0.12 kg
CUSCC3	G1062790	3	CUSCC triple pole	4	0.2 kg
CUSCC3N	C1062786	3 + N	CUSCC triple pole + neutral conductor	3	0.25 kg
CUSCC4	D1062787	4	CUSCC quadruple pole	3	0.24 kg



CUSCC1I

Modulostar™ CUSCC with standard indicator

Catalog number	Item number	Number of poles/phases	Design	Voltage limit for blown fuse indicator	Package	Weight
CUSCC1I	P1062797	1	CUSCC single pole	-	12	70 g
CUSCC1NI	L1062794	1 + N	CUSCC single pole + neutral conductor	-	6	0.13 kg
CUSCC2I	M1062795	2	CUSCC double pole	-	6	0.13 kg
CUSCC3I	H1062791	3	CUSCC triple pole	-	4	0.2 kg
CUSCC3NI	E1062788	3 + N	CUSCC triple pole + neutral conductor	-	3	0.25 kg
CUSCC4I	F1062789	4	CUSCC quadruple pole	-	3	0.24 kg
-	on demand	-	Version with special indicator	Standard: 220V-700V AC/DC Very low: 20V-50V AC/DC Low: 50V-250V AC/DC	-	-

ACCESSORIES



CMS810PAK

Kit for multi phase connection

Catalog number	Item number	Features	Package	Weight
CMS810PAK	Z233725	Links for connection of multipole units	12	0.5 g



LOCK

Locking devices

Catalog number	Item number	Features	Package	Weight
LOCK	M223525	Padlock	1	0.48 kg

MERSEN reserves the right to change, update or correct, without notice, any information contained in this datasheet.