

# Talema Elektronik GmbH

Sembdnerstr.5, Postfach 2523, 82110, Germering.

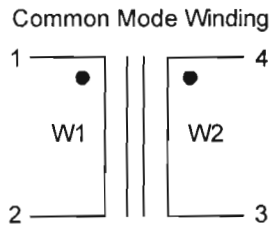
Tel : ++49 89 841 00-0,  
Fax : ++49 89 841 00 25

Email : [info@talema.de](mailto:info@talema.de)



Customer		
Product	Current Compensated Choke	
Part No	21253	Page : 1 of 1
Customer Part No	--	Date : 04th Mar '09

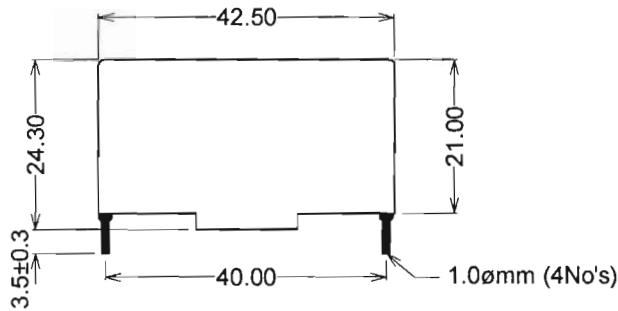
## SCHEMATIC:



## ELECTRICAL SPECIFICATIONS @25°C:

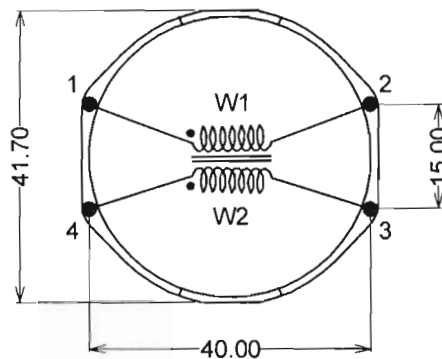
- 1) Lo/Wdg = 2.70mH±30% @10KHz/0.1mA
- 2) DCR/Wdg = 17.0 mOhms (Typ)
- 3) Turns Ratio W1 : W2 = 1 : 1
- 4) H.V. Test:  
Wdg - Wdg = 1.50KVrms/50Hz/2sec
- 5) Voltage = 250Vac
- 6) Rated current = 8A - referred to 250V-50Hz  
- and +60° ambient temperature
- 7) Climatic category = DIN GKC (-40° to +125°C; Humidity cat. C)

## MECHANICAL SPECIFICATIONS:

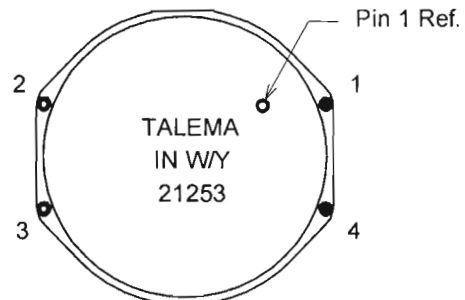


Front View:

Case accordance with UL94-V0



Pin View:



Top View;

Unit : mm

	Rev.	Description	Date	Name
	3			
	2			
	1			
	0	Initial issue	20.12.08	K.Veerappan
		ISSUE : 1	REV : 0	