

Transponder-coded safety switches

Interlocking devices and guard locking devices



EUCHNER

More than safety.

EUCHNER

More than safety.



Headquarters in Leinfelden-Echterdingen



Logistics center in Leinfelden-Echterdingen



Production location in Unterböhringen

Internationally successful – the EUCHNER company

EUCHNER GmbH + Co. KG is a world-leading company in the area of industrial safety technology. EUCHNER has been developing and producing high-quality switching systems for mechanical and systems engineering for more than 60 years.

The medium-sized family-operated company based in Leinfelden, Germany, employs around 750 people around the world.

17 subsidiaries and other sales partners in Germany and abroad work for our international success on the market.

Quality and innovation – the EUCHNER products

A look into the past shows EUCHNER to be a company with a great inventive spirit. We take the technological and ecological challenges of the future as an incentive for extraordinary product developments.

EUCHNER safety switches monitor safety doors on machines and installations, help to minimize dangers and risks and thereby reliably protect people and processes. Today, our products range from electromechanical and electronic components to intelligent integrated safety solutions. Safety for people, machines and products is one of our dominant themes.

We define future safety technology with the highest quality standards and reliable technology. Extraordinary solutions ensure the great satisfaction of our customers. The product ranges are subdivided as follows:

- ▶ Transponder-coded Safety Switches
- ▶ Transponder-coded Safety Switches with guard locking
- ▶ Multifunctional Gate Box MGB
- ▶ Access management systems (Electronic-Key-System EKS)
- ▶ Electromechanical Safety Switches
- ▶ Magnetically coded Safety Switches
- ▶ Enabling Switches
- ▶ Safety Relays
- ▶ Emergency Stop Devices
- ▶ Hand-Held Pendant Stations and Handwheels
- ▶ Safety Switches with AS-Interface
- ▶ Joystick Switches
- ▶ Position Switches



Safety switch CES-AP-C01-...



- ▶ One active face, can be repositioned in five directions
- ▶ Large operating distance
- ▶ Limit-range indication
- ▶ Diagnostics via two LEDs
- ▶ Standard housing according to EN 60947-5-2
- ▶ Degree of protection IP 67

Details

Available coding options

- ▶ Unicode evaluation
- ▶ Multicode evaluation

Limit-range indication

The device detects if the actuator wanders out of the operating distance and indicates that the actuator is in the limit range by flashing the STATE LED. This allows the safety door to be readjusted in time.

Connection to IP 67 field modules

Devices with M12 plug connector, 5-pin, without monitoring output are optimized for direct connection to field modules, such as ET200pro from Siemens or comparable devices from other manufacturers.

LED indicator

STATE Status
DIA Diagnostics

Additional connections

DIA Diagnostic output (semiconductor)
RST Reset input

Further information

- ▶ Dimension drawings see p. 25
- ▶ Accessories and spare parts see p. 25
- ▶ For detailed information, enter the order number for the product in the search box at www.euchner.com.

Ordering table

Safety switch

Series	Version	Order no./item	
CES-AP-C01-AH-... Unicode	<div style="display: flex; align-items: center; gap: 10px;"> <div style="border: 1px solid black; padding: 2px;">M12</div> <div style="border: 1px solid black; padding: 2px;">5 pin</div> </div>	Without monitoring output 111145 CES-AP-C01-AH-SB-111145	For detailed information, enter the order number for the product in the search box at www.euchner.com .
CES-AP-C01-CH-... Multicode		CES-AP-C01-CH-SB-111708 111708	
CES-AP-C01-CH-SB Multicode		With monitoring output CES-AP-C01-CH-SB-106798 106798	
CES-AP-C01-CH-SA Multicode		With monitoring output CES-AP-C01-CH-SA-100250 100250 ¹⁾	

1) German Social Accident Insurance approval

Actuator

Series	Design	Typ. operating distance [mm]	Order no./item	
CES-A-BRN	80 x 40	27	100251 CES-A-BRN-100251	For detailed information, enter the order number for the product in the search box at www.euchner.com .
CES-A-BPA	40 x 40	22	098775 CES-A-BPA	
CES-A-BBA	42 x 25	18	071840 CES-A-BBA	
CES-A-BCA	42 x 25 Material: PE-HD	18	088786 CES-A-BCA	
CES-A-BDA-18	Ø18	19	156935 CES-A-BDA-18	

M12


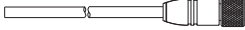


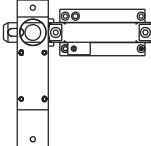
5 pin

M12

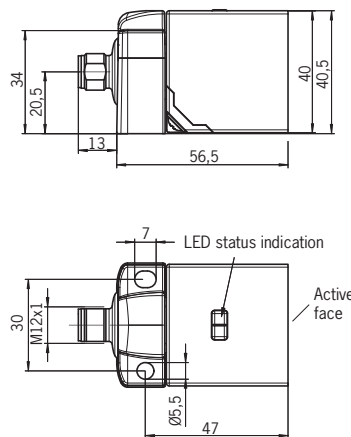
8 pin

C01

Accessories

Type	Version	
Connection material	Connecting cable with plug connector 	 Page 97
		 Page 99
Bolts	Bolts for housing design C01 	Page 108
Fixing material	Safety screws	Page 116

Dimension drawing



Terminal assignment

8 pin	5 pin		Designation	Function
	With monitoring output	Without monitoring output (pin 5 not used)		
1	–	–	–	Not used
2	1	1	UB	Power supply DC 24 V
3	2	2	OA	Safety output, channel 1
4	4	4	OB	Safety output, channel 2
5	5	–	DIA	Monitoring output (diagnostic output)
6	–	–	–	Not used
7	3	3	OV	Ground DC 0 V
8	–	–	RST	Reset input

Safety switch CES-AP-C.2-...



- ▶ Diagnostics via two LEDs
- ▶ Two active faces
- ▶ Limit-range indication
- ▶ Direct mounting on aluminum profiles
- ▶ Large temperature range (depending on version)
- ▶ Reinforcement plates and safety screws included
- ▶ Degree of protection IP 67/IP 69/IP 69K

Details

Available coding options

- ▶ Unicode evaluation
- ▶ Multicode evaluation

Limit-range indication

The device detects if the actuator wanders out of the operating distance and indicates that the actuator is in the limit range by flashing the STATE LED. This allows the safety door to be readjusted in time.

Connection to IP 67 field modules

Devices with M12 plug connector, 5-pin without monitoring output are optimized for direct connection to field modules, such as ET200pro from Siemens or comparable devices from other manufacturers.

Large temperature range

Devices with connecting cable and flying lead have a temperature range from -40 °C to +65 °C (with rigid cable laying).

LED indicator

STATE Status
DIA Diagnostics

Additional connections

OUT Monitoring output (semiconductor); not present on all versions.

Further information





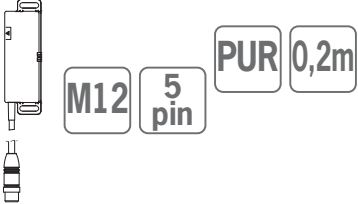






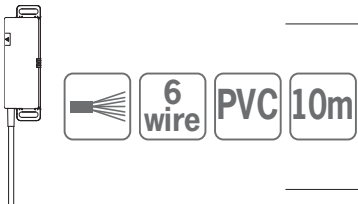






- ▶ Dimension drawings see p. 28
- ▶ Accessories and spare parts see p. 28
- ▶ For detailed information, enter the order number for the product in the search box at www.euchner.com.

Ordering table

Safety switch



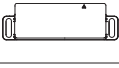

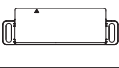


Series	Version	Door hinge ¹⁾	Order no./item		
CES-AP-C.2-AH-... Unicode	<div style="display: flex; gap: 10px;"> <div style="border: 1px solid black; padding: 2px;">click</div> <div style="border: 1px solid black; padding: 2px;">6 pin</div> </div>	With monitoring output	<p>105295 CES-AP-CR2-AH-SF-105295</p>	For detailed information, enter the order number for the product in the search box at www.euchner.com .	
		Without monitoring output	<p>105294 CES-AP-CL2-AH-SF-105294</p>		
	<div style="display: flex; gap: 10px;"> <div style="border: 1px solid black; padding: 2px;">M12</div> <div style="border: 1px solid black; padding: 2px;">5 pin</div> <div style="border: 1px solid black; padding: 2px;">PUR</div> <div style="border: 1px solid black; padding: 2px;">0,2m</div> </div>	With monitoring output	<p>106552 CES-AP-CR2-AH-SB-106552</p>		
		Without monitoring output	<p>106553 CES-AP-CL2-AH-SB-106553</p>		
		With monitoring output	<p>111748 CES-AP-CR2-AH-SB-111748</p>		
		Without monitoring output	<p>111747 CES-AP-CL2-AH-SB-111747</p>		
	<div style="display: flex; gap: 10px;"> <div style="border: 1px solid black; padding: 2px;">5m</div> </div>	With monitoring output	<p>105601 CES-AP-CR2-AH-L05-105601</p>		
		Without monitoring output	<p>105603 CES-AP-CL2-AH-L05-105603</p>		
		<div style="display: flex; gap: 10px;"> <div style="border: 1px solid black; padding: 2px;">6 wire</div> <div style="border: 1px solid black; padding: 2px;">PVC</div> <div style="border: 1px solid black; padding: 2px;">10m</div> </div>	With monitoring output		<p>106191 CES-AP-CR2-AH-L10-106191</p>
			Without monitoring output		<p>106192 CES-AP-CL2-AH-L10-106192</p>
			With monitoring output		<p>106195 CES-AP-CR2-AH-L20-106195</p>
			Without monitoring output		<p>106196 CES-AP-CL2-AH-L20-106196</p>

1) Applies to following alignment: connection/cable outlet pointing downward


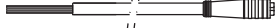
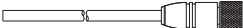
Series	Version	Door hinge ¹⁾	Order no./item	
CES-AP-C.2-CH-... Multicode		With monitoring output	 100775 CES-AP-CR2-CH-SF-100775	<p>For detailed information, enter the order number for the product in the search box at www.euchner.com.</p>
			 104509 CES-AP-CL2-CH-SF-104509	
		With monitoring output	 106550 CES-AP-CR2-CH-SB-106550	
			 106551 CES-AP-CL2-CH-SB-106551	
		Without monitoring output	 109168 CES-AP-CR2-CH-SB-109168	
			 109167 CES-AP-CL2-CH-SB-109167	
		With monitoring output	 123922 CES-AP-CR2-CH-SB-123922	
			 105600 CES-AP-CR2-CHL05-105600	
		With monitoring output	 105602 CES-AP-CL2-CHL05-105602	
			 106189 CES-AP-CR2-CHL10-106189	
		With monitoring output	 106190 CES-AP-CL2-CHL10-106190	
			 106193 CES-AP-CR2-CHL20-106193	
With monitoring output		 106194 CES-AP-CL2-CHL20-106194		
		 106194 CES-AP-CL2-CHL20-106194		

1) Applies to following alignment: connection/cable outlet pointing downward

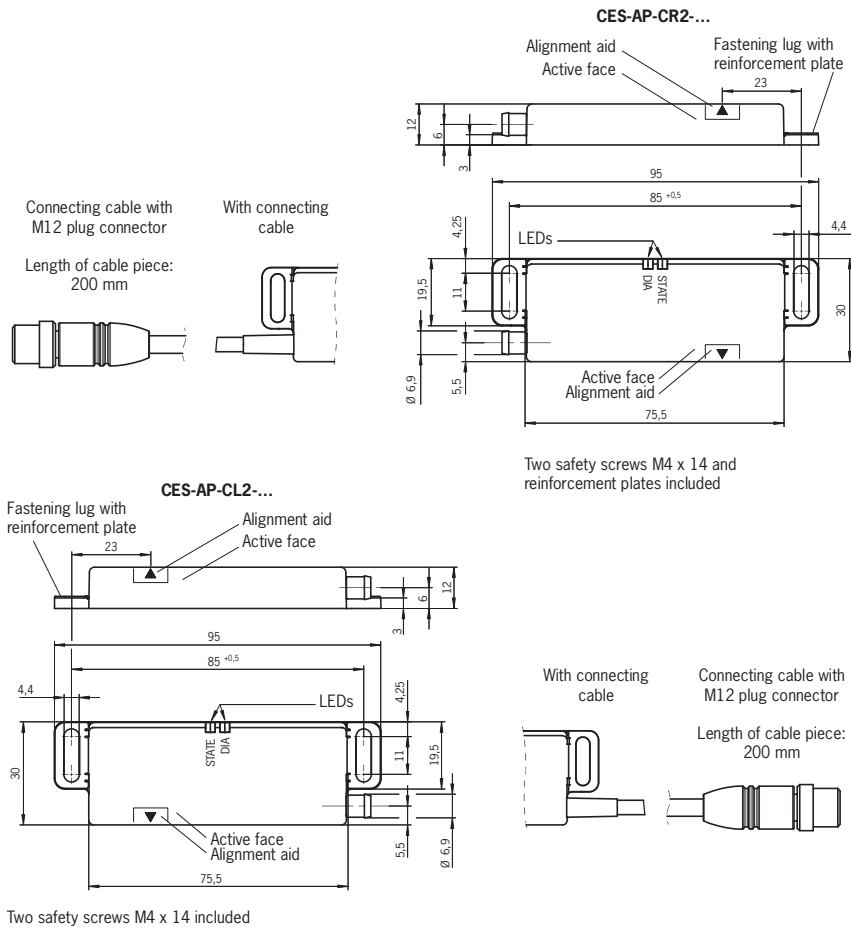
Actuator

Series	Design	Typ. operating distance [mm]	Order no./item	
CES-A-BDN-06	 Ø6 x 26	19	104730 CES-A-BDN-06-104730	<p>For detailed information, enter the order number for the product in the search box at www.euchner.com.</p>
CES-A-BLN-...	 95 x 30	15	 100776 CES-A-BLN-R2-100776	
	 95 x 30	15	 104510 CES-A-BLN-L2-104510	
	 55 x 30 Independent of the door hinge	15	103450 CES-A-BLN-U2-103450	

Accessories

Type	Version	
Connection material	Connecting cable with plug connector  click 6 pin	Page 94
	Connecting cable with plug connector  M12 5 pin	Page 97
Fixing material	Safety screws	Page 116

Dimension drawing



click

6 pin

M12

5 pin



6 wire

C02

Terminal assignment

6 pin		5 pin		Designation	Function	Wire color
With monitoring output	With monitoring output	Without monitoring output (pin 5 not used)				
1	1	1		UB	Power supply DC 24 V	BN
2	2	2		OA	Safety output, channel 1	WH
3	3	3		0V	Ground DC 0 V	BU
4	4	4		OB	Safety output, channel 2	BK
5	5	-		OUT	Monitoring output (door monitoring output)	GY
6	-	-		-	Not used	PK

Safety switch CES-I-AP-.-C04-...



- ▶ **Smallest design**
- ▶ **Three active faces**
- ▶ **Diagnostics via two LEDs**
- ▶ **Limit-range indication**
- ▶ **Degree of protection IP 67**
- ▶ **ATEX protective cover (optional)**

Details

Available coding options

- ▶ Unicode evaluation
- ▶ Multicode evaluation

Limit-range indication

The device detects if the actuator wanders out of the operating distance and indicates that the actuator is in the limit range by flashing the STATE LED. This allows the safety door to be readjusted in time.

Connection to IP 67 field modules

Devices with M12 plug connector, 5-pin without monitoring output are optimized for direct connection to field modules, such as ET200pro from Siemens or comparable devices from other manufacturers.

Rubber support

A rubber support is included with each switch and actuator and is intended to prevent the accumulation of soiling in the area of the mounting holes.

LED indicator

STATE Status
DIA Diagnostics

Additional connections

OD Monitoring output (semiconductor); not present on all versions

ATEX protective cover

Housing protection AM-C-C04-EX-137528 is required for use in potentially explosive atmospheres. See accessories on p. 31.








Further information

- ▶ Dimension drawings see p. 32
- ▶ Accessories and spare parts see p. 31
- ▶ For detailed information, enter the order number for the product in the search box at www.euchner.com.






Ordering table

Safety switch


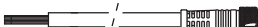
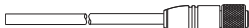
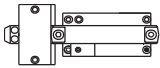
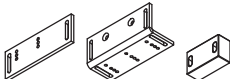


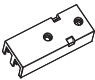
Series	Version	Order no./item	
CES-I-AP-U-C04-... Unicode	M8 4 pin Without monitoring output	115324 CES-I-AP-U-C04-SK-115324	For detailed information, enter the order number for the product in the search box at www.euchner.com .
	M12 5 pin PUR 0,1m Without monitoring output	115150 CES-I-AP-U-C04-USI-115150	
	M12 5 pin PUR 0,22m With monitoring output	116502 CES-I-AP-U-C04-USB-116502	
	M12 5 pin PUR 5m With monitoring output	116503 CES-I-AP-U-C04-U05-116503	
	M12 5 pin PUR 10m With monitoring output	116504 CES-I-AP-U-C04-U10-116504	
	M12 5 pin PUR 20m With monitoring output	116505 CES-I-AP-U-C04-U20-116505	

Series	Version	Order no./item	
CES-I-AP-M-C04-... Multicode	 Without monitoring output	117325 CES-I-AP-M-C04-SK-117325	For detailed information, enter the order number for the product in the search box at www.euchner.com .
	 Without monitoring output	117323 CES-I-AP-M-C04-USI-117323	
	 With monitoring output	117324 CES-I-AP-M-C04-USB-117324	
	 With monitoring output	117328 CES-I-AP-M-C04-U05-117328	
	 With monitoring output	117329 CES-I-AP-M-C04-U10-117329	
	 With monitoring output	117330 CES-I-AP-M-C04-U20-117330	

Actuator

Series	Design	Typ. operating distance [mm]	Order no./item	
CES-A-BDN-06	 Ø6 x 26	19	104730 CES-A-BDN-06-104730	For detailed information, enter the order number for the product in the search box at www.euchner.com .
CES-A-BBN-C04	 42 x 25	15	115271 CES-A-BBN-C04-115271	
 CES-A-BBN-C04-EX-137527	 42 x 25	15	137527 CES-A-BBN-C04-EX-137527	

Accessories

Type	Version	
Connection material	Connecting cable with plug connector  M8 4 pin	Page 95
	Connecting cable with plug connector  M12 5 pin	Page 97
Bolts	Bolts for housing design C04 	Page 110
Fixing material	Mounting sets 	Page 114
	Safety screws 	Page 116
 Housing protection	Housing protection ATEX for switches 	Page 116

M8

4 pin

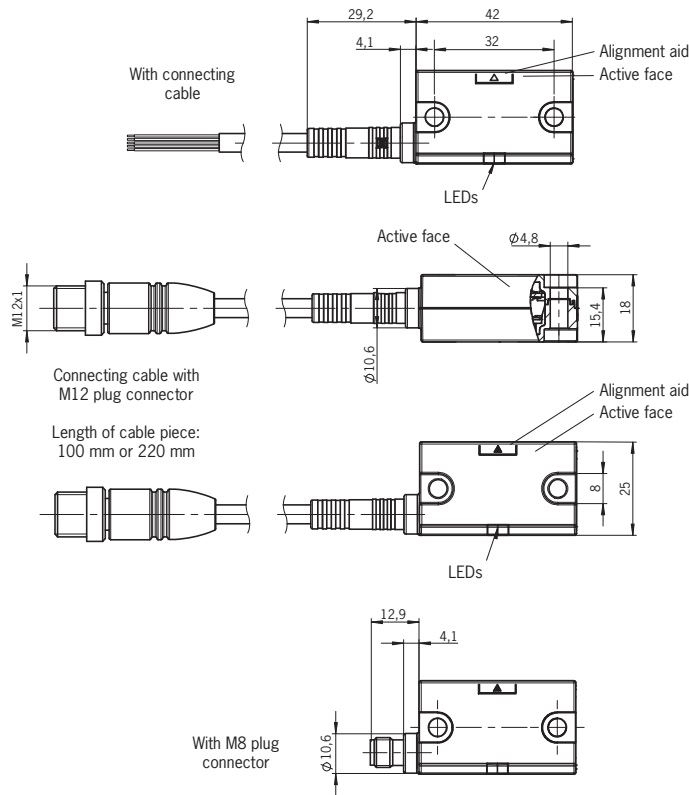
M12

5 pin



5 wire

Dimension drawing



Rubber support included with switch and actuator

Terminal assignment

5 pin With monitoring output	5 wire	5 pin Without monitoring output (pin 5 not used)	4 pin Without monitoring output	Designation	Function	Wire color
1		1	1	UB	Power supply DC 24 V	BN
2		2	2	FO1A	Safety output, channel 1	WH
3		3	3	OV	Ground DC 0 V	BU
4		4	4	FO1B	Safety output, channel 2	BK
5		-	-	OD	Monitoring output (door monitoring output)	GY

Safety switch CES-AR-C01-...



- ▶ Up to 20 switches in series
- ▶ One active face, can be repositioned in five directions
- ▶ Diagnostics via two LEDs
- ▶ Large operating distance
- ▶ Standard housing according to EN 60947-5-2
- ▶ Limit-range indication

Details

Available coding options

- ▶ Unicode evaluation
- ▶ Multicode evaluation
- ▶ Fixcode evaluation

Limit-range indication

The device detects if the actuator wanders out of the operating distance and indicates that the actuator is in the limit range by flashing the STATE LED. This allows the safety door to be readjusted in time.

LED indicator

STATE Status
DIA Diagnostics

Additional connections

OUT Monitoring output (semiconductor)
RST Reset input

Further information

- ▶ Dimension drawings see p. 55
- ▶ Accessories and spare parts see p. 55
- ▶ For detailed information, enter the order number for the product in the search box at www.euchner.com.
- ▶ You will find information on the series connection of AR devices on page 5.

Ordering table

Safety switch

Series	Version	Order no./item	
CES-AR-C01-AH-SA Unicode		098941 CES-AR-C01-AH-SA	For detailed information, enter the order number for the product in the search box at www.euchner.com .
CES-AR-C01-CH-SA Multicode	M12 8 pin	098942 CES-AR-C01-CH-SA	
CES-AR-C01-EH-SA Fixcode (actuator CES-A-BPA included)		098582 CES-AR-C01-EH-SA	


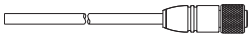





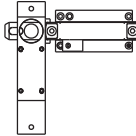
Actuator

Series	Design	Typ. operating distance [mm]	Order no./item	
CES-A-BRN	80 x 40	27	100251 CES-A-BRN-100251	For detailed information, enter the order number for the product in the search box at www.euchner.com .
CES-A-BPA	40 x 40	22	098775 CES-A-BPA	
CES-A-BBA	42 x 25	18	071840 CES-A-BBA	
CES-A-BCA	42 x 25 Material: PE-HD	18	088786 CES-A-BCA	
CES-A-BDA-18	Ø18	19	156935 CES-A-BDA-18	

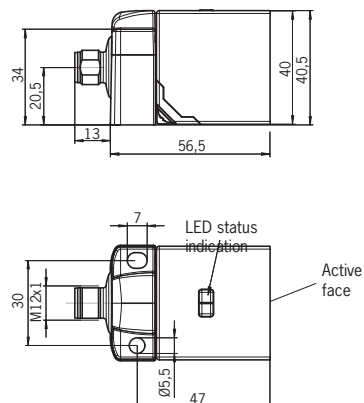
M12 8 pin

C01


Accessories

Type	Version	
Connection material	Connecting cable with plug connector 	 Page 99
	Strapping plug/Y-distributor 	 Page 101
	Passive distribution module 	 Page 102
Bolts	Bolts for housing design C01 	Page 108
Fixing material	Safety screws	Page 116

Dimension drawing



Terminal assignment

	Designation	Function
1	IB	Enable input for channel 2
2	UB	Power supply DC 24 V
3	OA	Safety output, channel 1
4	OB	Safety output, channel 2
5	OUT	Monitoring output (door monitoring output)
6	IA	Enable input for channel 1
7	OV	Ground DC 0 V
8	RST	Reset input

Safety switch CES-AR-C.2-...



- ▶ Diagnostics via two LEDs
- ▶ Two active faces
- ▶ Limit-range indication
- ▶ Simple mounting on aluminum profiles
- ▶ Large temperature range (depending on version)
- ▶ Reinforcement plates and safety screws included

Details

Available coding options

- ▶ Unicode evaluation
- ▶ Multicode evaluation

Limit-range indication

The device detects if the actuator wanders out of the operating distance and indicates that the actuator is in the limit range by flashing the STATE LED. This allows the safety door to be readjusted in time.

Large temperature range

Devices with connecting cable and flying lead have a temperature range from -30 °C to +65 °C (with rigid cable laying).

LED indicator

STATE Status
DIA Diagnostics

Additional connections

OUT Monitoring output (semiconductor)
RST Reset input

Further information





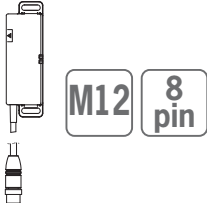



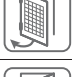




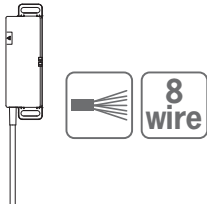




- ▶ Dimension drawings see p. 58
- ▶ Accessories and spare parts see p. 58
- ▶ For detailed information, enter the order number for the product in the search box at www.euchner.com.
- ▶ You will find information on the series connection of AR devices on page 5.

Ordering table

Safety switch



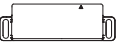




Series	Version	Door hinge ¹⁾	Order no./item		
CES-AR-C.2-AH-... Unicode	M8 8 pin		105751 CES-AR-CR2-AH-SG-105751	For detailed information, enter the order number for the product in the search box at www.euchner.com .	
			105753 CES-AR-CL2-AH-SG-105753		
	M12 8 pin PUR 1m		105746 CES-AR-CR2-AH-SA-105746		
			105748 CES-AR-CL2-AH-SA-105748		
	5m	8 wire PUR 10m			109046 CES-AR-CR2-AH-L05-109046
					109047 CES-AR-CL2-AH-L05-109047
		20m			109050 CES-AR-CR2-AH-L10-109050
					109051 CES-AR-CL2-AH-L10-109051
					109054 CES-AR-CR2-AH-L20-109054
					109055 CES-AR-CL2-AH-L20-109055

1) Applies to following alignment: connection/cable outlet pointing downward

Series	Version	Door hinge ¹⁾	Order no./item			
CES-AR-C.2-CH-... Multicode			105750 CES-AR-CR2-CH-SG-105750	For detailed information, enter the order number for the product in the search box at www.euchner.com .		
			105752 CES-AR-CL2-CH-SG-105752			
		0,15m			115792 CES-AR-CR2-CH-SA-115792	
					115793 CES-AR-CL2-CH-SA-115793	
		PUR			105745 CES-AR-CR2-CH-SA-105745	
					105747 CES-AR-CL2-CH-SA-105747	
		1m			112928 CES-AR-CR2-CH-SA-112928	
					112929 CES-AR-CL2-CH-SA-112929	
		PVC	2m			109044 CES-AR-CR2-CH-L05-109044
						109045 CES-AR-CL2-CH-L05-109045
		5m			109048 CES-AR-CR2-CH-L10-109048	
					109049 CES-AR-CL2-CH-L10-109049	
		10m			109052 CES-AR-CR2-CH-L20-109052	
					109053 CES-AR-CL2-CH-L20-109053	
		20m				

1) Applies to following alignment: connection/cable outlet pointing downward

Actuator

Series	Design	Typ. operating distance [mm]	Order no./item	
CES-A-BDN-06	 Ø6 x 26	19	104730 CES-A-BDN-06-104730	For detailed information, enter the order number for the product in the search box at www.euchner.com .
CES-A-BLN-...	 95 x 30 	15	100776 CES-A-BLN-R2-100776	
	 95 x 30 	15	104510 CES-A-BLN-L2-104510	
	 55 x 30 Independent of the door hinge	15	103450 CES-A-BLN-U2-103450	

M8

8
pin

M12

8
pin



8
wire

C02

Terminal assignment

8 pin	Designation	Function	Wire color
1	IB	Enable input for channel 2	WH
2	UB	Power supply DC 24 V	BN
3	OA	Safety output, channel 1	GN
4	OB	Safety output, channel 2	YE
5	OUT	Monitoring output (door monitoring output)	GY
6	IA	Enable input for channel 1	PK
7	OV	Ground DC 0 V	BU
8	RST	Reset input	RD

Safety switch CES-I-AR-.-C04-...



- ▶ **Smallest design**
- ▶ **Three active faces**
- ▶ **Diagnostics via two LEDs**
- ▶ **Limit-range indication**
- ▶ **Rubber support for protection against soiling**
- ▶ **ATEX protective cover (optional)**

Details

Available coding options

- ▶ Unicode evaluation
- ▶ Multicode evaluation

Limit-range indication

The device detects if the actuator wanders out of the operating distance and indicates that the actuator is in the limit range by flashing the STATE LED. This allows the safety door to be readjusted in time.

Rubber support

A rubber support is included with each switch and actuator and is intended to prevent the accumulation of soiling in the area of the mounting holes.

LED indicator

STATE Status
DIA Diagnostics

ATEX protective cover

Housing protection AM-C-C04-EX-137528 is required for use in potentially explosive atmospheres. See accessories on p. 61.







Further information

- ▶ Dimension drawings see p. 62
- ▶ Accessories and spare parts see p. 61
- ▶ For detailed information, enter the order number for the product in the search box at www.euchner.com.
- ▶ You will find information on the series connection of AR devices on page 5.






Ordering table

Safety switch


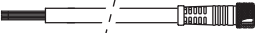


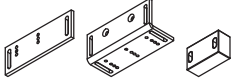


Series	Version	Order no./item	
CES-I-AR-U-C04-... Unicode	M8 8 pin	119469 CES-I-AR-U-C04-SG-119469	For detailed information, enter the order number for the product in the search box at www.euchner.com .
	M12 8 pin PUR 1m	119473 CES-I-AR-U-C04-USA-119473	
	8 wire PUR 10m	119471 CES-I-AR-U-C04-U10-119471	
	5m	119470 CES-I-AR-U-C04-U05-119470	
	20m	119472 CES-I-AR-U-C04-U20-119472	

Series	Version	Order no./item	
CES-I-AR-M-C04-... Multicode	 M8 8 pin	119474 CES-I-AR-M-C04-SG-119474	For detailed information, enter the order number for the product in the search box at www.euchner.com .
	 M12 8 pin PUR 1m	119479 CES-I-AR-M-C04-USA-119479	
	 5m	119475 CES-I-AR-M-C04-U05-119475	
	 8 wire PUR 10m	119476 CES-I-AR-M-C04-U10-119476	
	 20m	119477 CES-I-AR-M-C04-U20-119477	

Actuator

Series	Design	Typ. operating distance [mm]	Order no./item	
CES-A-BDN-06	 Ø6 x 26	19	104730 CES-A-BDN-06-104730	For detailed information, enter the order number for the product in the search box at www.euchner.com .
CES-A-BBN-C04	 42 x 25	15	115271 CES-A-BBN-C04-115271	
 CES-A-BBN-C04-EX-137527	 42 x 25	15	137527 CES-A-BBN-C04-EX-137527	

Accessories

Type	Version	
Connection material	Connecting cable with plug connector  M8 8 pin	Page 96
	Connecting cable with plug connector  M12 8 pin	Page 99
	Strapping plug/Y-distributor M12	Page 101
	Passive distribution module M12	Page 102
Bolts	Bolts for housing design C04 	Page 110
Fixing material	Mounting sets 	Page 114
	Safety screws	Page 116
 Housing protection	Housing protection ATEX for switches 	Page 116

M8

8 pin

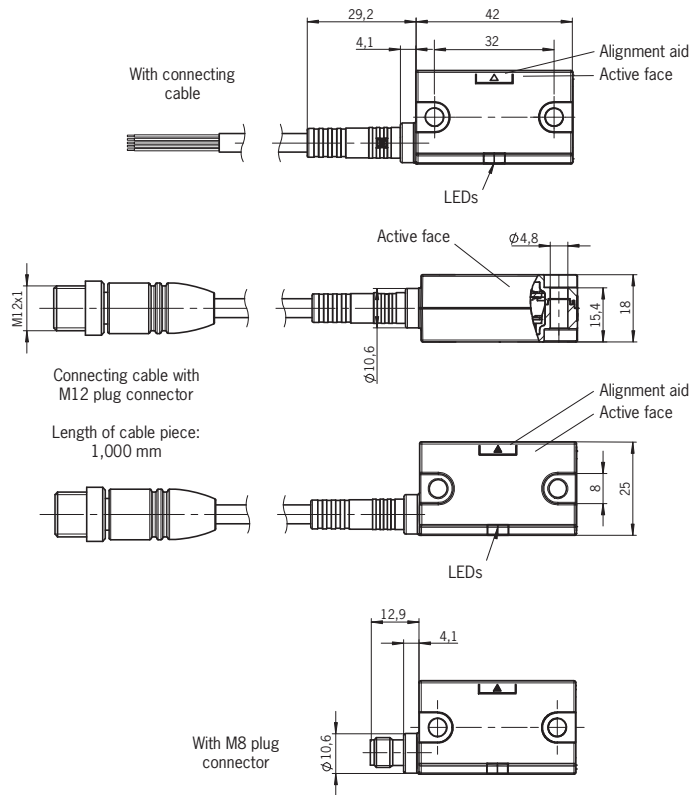
M12

8 pin



8 wire

Dimension drawing



Rubber support included with switch and actuator

Terminal assignment

8 pin	Designation	Function	Wire color
1	FI1B	Enable input for channel 2	WH
2	UB	Power supply DC 24 V	BN
3	FO1A	Safety output, channel 1	GN
4	FO1B	Safety output, channel 2	YE
5	OD	Monitoring output (door monitoring output)	GY
6	FI1A	Enable input for channel 1	PK
7	0V	Ground DC 0 V	BU
8	RST	Reset input	RD

Connection material

click 6 pin PVC

Connecting cables with snap-on catch

For the connection of:

CES-AP-C.2...-SF



Version		Order no./item	
<div style="display: flex; align-items: center;"> <div style="margin-right: 10px;"> <p>click</p> <p>6 pin</p> <p>PVC</p> </div> <div> <p>Connecting cable with female plug, flying lead, 6 x 0.14 mm²</p> </div> </div>	5m	<p>103556 C-R08F06-06X014PV05,0-ES-103556</p>	<p>For detailed information, enter the order number for the product in the search box at www.euchner.com.</p>
	10m	<p>103557 C-R08F06-06X014PV10,0-ES-103557</p>	
	15m	<p>103558 C-R08F06-06X014PV15,0-ES-103558</p>	
	20m	<p>103559 C-R08F06-06X014PV20,0-ES-103559</p>	
	25m	<p>103560 C-R08F06-06X014PV25,0-ES-103560</p>	

Connecting cables with plug connectors

For the connection of:

CES-IAP-.C04-SK



Version		Order no./item	
<p>M8</p> <p>4 pin</p> <p>PVC</p> <p>Connecting cable with female plug, flying lead, 4 x 0.25 mm²</p>	2m	088812 C-M08F04-04X025PV02,0-ES-088812	<p>For detailed information, enter the order number for the product in the search box at www.euchner.com.</p>
	5m	088813 C-M08F04-04X025PV05,0-ES-088813	
	10m	088814 C-M08F04-04X025PV10,0-ES-088814	
	15m	088815 C-M08F04-04X025PV15,0-ES-088815	
	25m	095035 C-M08F04-04X025PV25,0-ES-095035	
	50m	097100 C-M08F04-04X025PV50,0-ES-097100	
<p>Connecting cable with female plug, flying lead, 4 x 0.25 mm²</p>	10m	084703 C-M08F04-04X025PV10,0-ES-084703	
<p>M8</p> <p>4 pin</p> <p>PUR</p> <p>Connecting cable with female plug, flying lead, 4 x 0.34 mm²</p>	5m	116049 C-M08F04-04X034PU05,0-ES-116049	
	10m	116050 C-M08F04-04X034PU10,0-ES-116050	
	20m	116051 C-M08F04-04X034PU20,0-ES-116051	
	50m	120241 C-M08F04-04X034PU50,0-ES-120241	

M8 8 pin PVC PUR

Connecting cables with plug connectors

For the connection of:

CES-AR-C.2...-SG



CES-IAR-.C04-SG


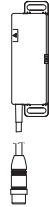


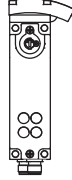
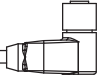
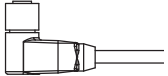



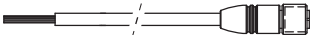
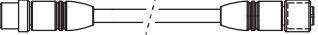
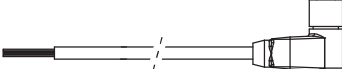
Version		Order no./item	
<div style="display: flex; flex-direction: column; align-items: center;"> <div style="border: 1px solid black; border-radius: 5px; padding: 2px; margin-bottom: 5px;">M8</div> <div style="border: 1px solid black; border-radius: 5px; padding: 2px; margin-bottom: 5px;">8 pin</div> <div style="border: 1px solid black; border-radius: 5px; padding: 2px;">PVC</div> </div>	<p>Connecting cable with female plug, flying lead, 8 x 0.14 mm²</p>	5m	<p>110933 C-M08F08-08X014PV05,0-ES-110933</p>
		10m	<p>110934 C-M08F08-08X014PV10,0-ES-110934</p>
		15m	<p>110935 C-M08F08-08X014PV15,0-ES-110935</p>
		20m	<p>111603 C-M08F08-08X014PV20,0-ES-111603</p>
<div style="display: flex; flex-direction: column; align-items: center;"> <div style="border: 1px solid black; border-radius: 5px; padding: 2px; margin-bottom: 5px;">M8</div> <div style="border: 1px solid black; border-radius: 5px; padding: 2px; margin-bottom: 5px;">8 pin</div> <div style="border: 1px solid black; border-radius: 5px; padding: 2px;">PUR</div> </div>	<p>Connecting cable with female plug, flying lead, 8 x 0.14 mm²</p>	5m	<p>106671 C-M08F08-08X014PU05,0-ES-106671</p>
		10m	<p>106672 C-M08F08-08X014PU10,0-ES-106672</p>
		20m	<p>106673 C-M08F08-08X014PU20,0-ES-106673</p>

For detailed information, enter the order number for the product in the search box at www.euchner.com.

Connecting cables with plug connectors


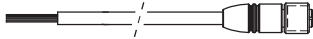
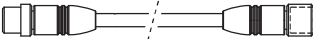
For the connection of:

CES-AP-C01...-SB 	CES-AP-C.2...-SB 	CES-IAP...-USB CES-IAP...-USI 	CTP...-AP...-SII CTP...-AR...-SAB 	CET-AP...-SI CET-AR...-SG 
Terminal plug not aligned. Cable outlet not defined			The following applies to the device installation position shown: Cable outlet C (left) Cable outlet A (right)  C A 	

Version	Cable outlet	Order no./item	
M12 5 pin PVC Connecting cable with female plug, flying lead, 5 x 0.34 mm ² 	5m	-	100183 C-M12F05-05X034PV05,0-MA-100183
	10m	-	100184 C-M12F05-05X034PV10,0-MA-100184
	20m	-	100185 C-M12F05-05X034PV20,0-MA-100185
	50m	-	156064 C-M12F05-05X034PV50,0-MA-156064
Extension, plug connectors at both ends for connection to decentralized peripheral equipment 	5m	-	100180 C-M12F05-05X034PV05,0-M12M05-100180
	10m	-	100181 C-M12F05-05X034PV10,0-M12M05-100181
	20m	-	100182 C-M12F05-05X034PV20,0-M12M05-100182
M12 5 pin PUR Connecting cable with female plug, flying lead, 5 x 0.25 mm ² 	10m	C	113190 C-M12F05-05X025PU10,0-MA-113190
		A	113187 C-M12F05-05X025PU10,0-MA-113187
	10m	C	115566 C-M12F05-05X025PU10,0-M12M05-115566
		A	115565 C-M12F05-05X025PU10,0-M12M05-115565

For detailed information, enter the order number for the product in the search box at www.euchner.com.

M12 5 pin PUR

Version	Cable outlet	Order no./item	
Connecting cable with female plug, flying lead, 5 x 0.34 mm² 	5m	113620 C-M12F05-05X034PU05,0-MA-113620	For detailed information, enter the order number for the product in the search box at www.euchner.com .
	10m	113640 C-M12F05-05X034PU10,0-MA-113640	
	20m	113682 C-M12F05-05X034PU20,0-MA-113682	
	30m	122784 C-M12F05-05X034PU30,0-MA-113682	
Extension, plug connectors at both ends for connection to decentralized peripheral equipment 	5m	119932 C-M12F05-05X034PU05,0-M12M05-119932	
	10m	119947 C-M12F05-05X034PU10,0-M12M05-119947	
	20m	119971 C-M12F05-05X034PU20,0-M12M05-119971	

M12

5 pin

PUR

Connecting cables with plug connectors

For the connection of:

CES-AP-C01...-SA
CES-AR-C01...-SA

CES-AR-C.2...-SA

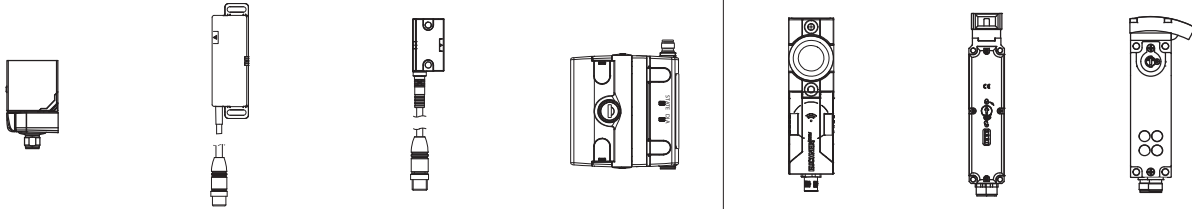
CES-IAR...-USA

ESL...-AR...-SA

CEM...AY...-SA

CTP...AP...-SA
CTP...AR...-SAB

CET-AP...-SA
CET-AR...-SG





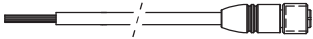
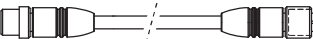

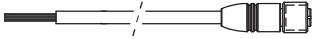
Terminal plug not aligned.
Cable outlet not defined

The following applies to the device installation position shown:


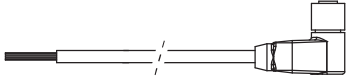
Cable outlet C (left)

Cable outlet A (right)



Version	Cable outlet	Order no./item	
 <p>Connecting cable with female plug, flying lead, 8 x 0.25 mm²</p> 	5m	100177 C-M12F08-08X025PV05,0-MA-100177	<p>For detailed information, enter the order number for the product in the search box at www.euchner.com.</p>
	10m	100178 C-M12F08-08X025PV10,0-MA-100178	
	20m	100179 C-M12F08-08X025PV20,0-MA-100179	
	30m	115116 C-M12F08-08X025PV30,0-MA-115116	
<p>Extension, plug connectors at both ends</p> 	1m	123430 C-M12M08-08X025PV01,0-M12F08-123430	
	2m	123431 C-M12M08-08X025PV02,0-M12F08-123431	
	5m	123432 C-M12M08-08X025PV05,0-M12F08-123432	
	10m	123433 C-M12M08-08X025PV10,0-M12F08-123433	
 <p>Connecting cable with female plug, flying lead, 8 x 0.25 mm²</p> 	5m	115112 C-M12F08-08X025PU05,0-MA-115112	
	10m	115113 C-M12F08-08X025PU10,0-MA-115113	
	20m	115114 C-M12F08-08X025PU20,0-MA-115114	
	30m	115257 C-M12F08-08X025PU30,0-MA-115257	

M12 **8 pin** **PUR**

Version	Cable outlet	Order no./item	
<div data-bbox="118 450 193 663" style="display: inline-block; vertical-align: top;"> <p>M12 8 pin PUR</p> </div> <div data-bbox="240 479 595 546" style="display: inline-block; vertical-align: top;"> <p>Connecting cable with female plug, flying lead, 8 x 0.25 mm²</p> </div> <div data-bbox="245 551 592 629" style="display: inline-block; vertical-align: middle;">  </div> <div data-bbox="632 443 699 506" style="display: inline-block; vertical-align: middle;"> <p>10m</p> </div>	C	<p>113189 C-M12F08-08X025PU10,0-MA-113189</p>	<p>For detailed information, enter the order number for the product in the search box at www.euchner.com.</p>
	A	<p>113188 C-M12F08-08X025PU10,0-MA-113188</p>	
<p>20m</p>	C	<p>120999 C-M12F08-08X025PU20,0-MA-120999</p>	
A	<p>120998 C-M12F08-08X025PU20,0-MA-120998</p>		

Strapping plug/Y-distributors

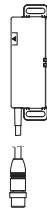
For the series connection of devices from the output family AR

For the connection of:

CES-AR-C01...-SA



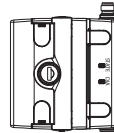
CES-AR-C.2...-SA



CES-IAR...-USA



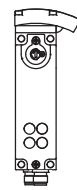
ESL...-AR...-SA



CTP-L-AR...-SAB



CET-AR...-SG



Version		Order no.	
Strapping plug for AR series connection with Y-distributors (male plug)		097645	For detailed information, enter the order number for the product in the search box at www.euchner.com .
1x	Y-distributor M12 with connecting cable		
2x			
1x	Y-distributor M12		
2x	Not suitable for CTP! Instead please use a Y-distributor with connecting cable (see above)	097627	

M12
AR

Passive distribution module

For the series connection of devices from the output family AR

For the connection of:

CES-AR-C01-...-SA

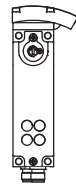
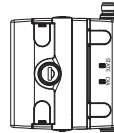
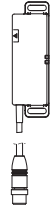
CES-AR-C.2-...-SA

CES-AR-...-USA

ESL-...-AR-...-SA

CTP-L-AR-...-SAB

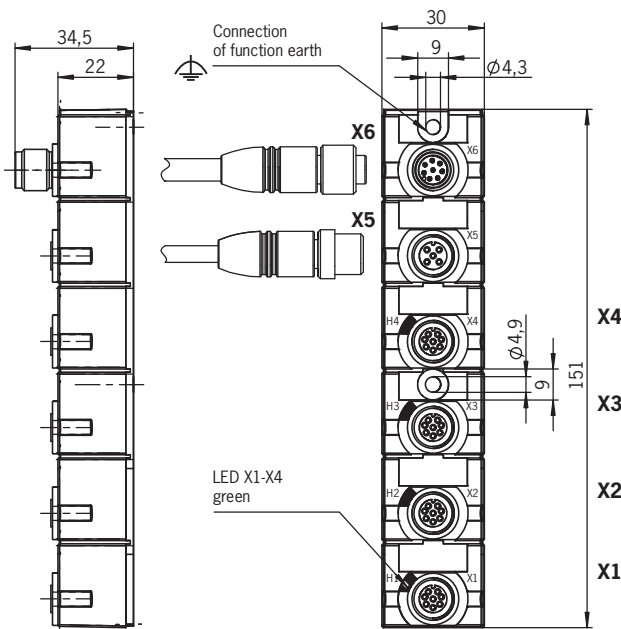
CET-AR-...-SG



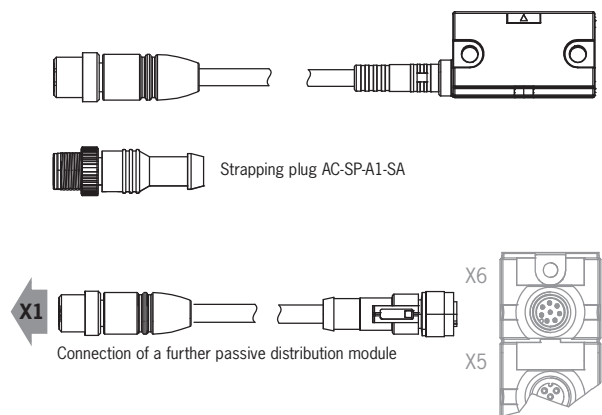
Version		Order no.	
	5x Passive distribution module	120861 AC-DP-04-SAA-120861	For detailed information, enter the order number for the product in the search box at www.euchner.com .
	1x Strapping plug for bypassing unused connections on the passive distribution module (male plug)	123340 AC-SP-A1-SA-123340	



Dimension drawing and connection options



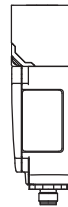
Connection	Use
X1 ... X4	- Connection of AR devices (CES-AR, CET-AR, ...) or - Bypassing using strapping plug if connection is not used or - Connection of a further passive distribution module (important: only on X1)
X5	Provision of the status signals for all AR devices connected
X6	Power supply for the AR devices and transmission of the safety signals





Screened connecting cables with plug connector

For the connection of:

CES-A.5



Version		Order no./item	
<div style="display: flex; align-items: center;"> <div style="margin-right: 10px;"> <p>M12</p> <p>8 pin</p> <p>PVC</p> </div> <div> <p>Connecting cable with female plug, screened ¹⁾, 8 x 0.25 mm²</p>  </div> </div>	5m	<p>077751 C-M12F08-08X025PV05,0-GA-077751</p>	<p>For detailed information, enter the order number for the product in the search box at www.euchner.com.</p>
	10m	<p>077752 C-M12F08-08X025PV10,0-GA-077752</p>	
	15m	<p>077753 C-M12F08-08X025PV15,0-GA-077753</p>	
	20m	<p>077871 C-M12F08-08X025PV20,0-GA-077871</p>	
	25m	<p>077872 C-M12F08-08X025PV25,0-GA-077872</p>	
	50m	<p>077873 C-M12F08-08X025PV50,0-GA-077873</p>	

1) The screen on the connecting cable is connected to the plug housing.

Connecting cable with straight plug connector

For the connection of:

CEM...-AR...-SH




CTP...-AR...-SH



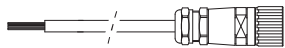
CET-AR...-SH



Version	Order no./item	
1,5m	092761 C-M23F19-19XDIFPU01,5-MA-092761	For detailed information, enter the order number for the product in the search box at www.euchner.com .
3m	092816 C-M23F19-19XDIFPU03,0-MA-092816	
6m	077014 C-M23F19-19XDIFPU06,0-MA-077014	
8m	077015 C-M23F19-19XDIFPU08,0-MA-077015	
10m	092898 C-M23F19-19XDIFPU08,0-MA-077015	
15m	077016 C-M23F19-19XDIFPU15,0-MA-077016	
20m	092726 C-M23F19-19XDIFPU20,0-MA-092726	
25m	092727 C-M23F19-19XDIFPU25,0-MA-092727	
30m	095993 C-M23F19-19XDIFPU30,0-MA-095993	
40m	102490 C-M23F19-19XDIFPU40,0-MA-102490	

M23
19 pin
PUR

Connecting cable with female plug, flying lead



Connecting cable with angled plug connector

For the connection of:

CEM-...-AR-...-SH



CTP-...-AR-...-SH



CET-AR-...-SH



The following applies to the device installation position shown:

Cable outlet C (left)

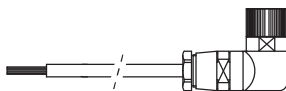
Cable outlet A (right)



Version	Order no./item Cable outlet		
	C	A	
1,5m	092906 C-M23F19-19XDIFPU01,5- MA-092906	092907 C-M23F19-19XDIFPU01,5- MA-092907	For detailed information, enter the order number for the product in the search box at www.euchner.com .
3m	092908 C-M23F19-19XDIFPU03,0- MA-092908	092909 C-M23F19-19XDIFPU03,0- MA-092909	
6m	077018 C-M23F19-19XDIFPU06,0- MA-077018	085194 C-M23F19-19XDIFPU06,0- MA-085194	
8m	077019 C-M23F19-19XDIFPU08,0- MA-077019	085195 C-M23F19-19XDIFPU08,0- MA-085195	
10m	092901 C-M23F19-19XDIFPU10,0- MA-092901	092902 C-M23F19-19XDIFPU10,0- MA-092902	
15m	077020 C-M23F19-19XDIFPU15,0- MA-077020	085196 C-M23F19-19XDIFPU15,0- MA-085196	
20m	092910 C-M23F19-19XDIFPU20,0- MA-092910	092911 C-M23F19-19XDIFPU20,0- MA-092911	
25m	092912 C-M23F19-19XDIFPU25,0- MA-092912	092913 C-M23F19-19XDIFPU25,0- MA-092913	

M23
19 pin
PUR

Angled female plug with cable, halogen free



Female plug M23

For the connection of:

CES-AH-C03-...



Version	Comment	Order no.	
<p>M23</p> <p>9 pin</p> <p>Straight female plug</p>	<p>Mating connector for safety switch CES-AH-C03-...</p>	<p>106597</p>	<p>For detailed information, enter the order number for the product in the search box at www.euchner.com.</p>

Female plug M23

For the connection of:

CEM-...-AR-...-SH



CTP-...-AR-...-SH





CET-AR-...-SH



Version	Comment	Order no.	
<p>M23</p> <p>19 pin</p> <p>Straight female plug (for self-assembly)</p>	<p>EF Female plug For conductor cross-section 19 x 0.75 - 1 mm²</p>	<p>074616</p>	<p>For detailed information, enter the order number for the product in the search box at www.euchner.com.</p>
	<p>EF-C1825 Female plug For conductor cross-section 16 x 0.25 - 0.5 mm² + 3 x 0.75 - 1 mm²</p>	<p>077025</p>	
<p>Angled female plug (for self-assembly)</p>	<p>WF Angled female plug For conductor cross-section 19 x 0.75 - 1 mm²</p>	<p>074617</p>	
	<p>WF-C1825 Angled female plug For conductor cross-section 16 x 0.25 - 0.5 mm² + 3 x 0.75 - 1 mm²</p>	<p>077026</p>	
<p>Replacement crimp contacts</p>	<p>For female plugs EF and WF Conductor cross-section 19 x 0.75 - 1 mm²</p>	<p>094309</p>	
	<p>For female plugs EF-C1825 and WF-C1825 Conductor cross-section 16 x 0.25 - 0.5 mm² + 3 x 0.75 - 1 mm²</p>	<p>094310</p>	





Connection kits

For connection to AR evaluation unit CES-AR-AES-12

Version	Comment	Order no.	
 Connection kits for evaluation unit CES-AR-AES-12	Plug-in screw terminals	104776 CES-EA-TC-AK08-104776	For detailed information, enter the order number for the product in the search box at www.euchner.com .
	Plug-in spring terminals	112629 CES-EA-TC-KK08-112629	

Teach-in adapter




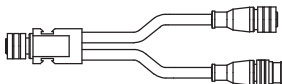



For connection to safety switch CET

Version	Comment	Order no.	
 Teach-in adapter AC-TA-A-....	 For safety switch CET1-AR/CET3-AR	125496 AC-TA-A1-SG-125496	For detailed information, enter the order number for the product in the search box at www.euchner.com .
		125497 AC-TA-A2-SG-125497	
	 For safety switch CET1/CET3	122748 AC-TA-A1-SH-122748	
		122749 AC-TA-A2-SH-122749	

Adapter for connection to IP 67 field modules

Adapter for AP devices with plug connectors 2 x M12, 5-pin, with monitoring output (e.g. CET-AP with wiring diagram B) for connection to field modules with sockets M12, 5-pin.

The adapter makes it possible to operate the guard locking solenoid via a safe output module and to route the monitoring contact OUT D to an input module on a control system.

Designation	Version	Order no.	
  Adapter for connection to IP 67 field modules 	 (socket)   (plug)	124516 AC-YD-V0,2-SBB-124516	For detailed information, enter the order number for the product in the search box at www.euchner.com .

Bolts

C01 C05

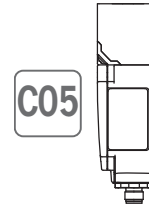
Bolts for housing design C01/C05


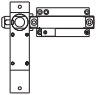
Notice: The actuators are included with these bolts.

For mounting:

CES-AP-C01-...
CES-AR-C01-...


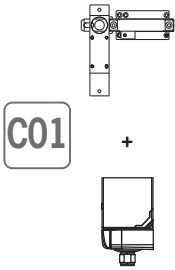
CES-A.5...



Designation	Detent mechanism/ door gap	Material	Version	Order no.	
 Bolt CES-A-C	Closed position: ball detent mechanism Open position: none/ door gap: 15 mm	Steel	For doors hinged on the right or left	082220	For detailed information, enter the order number for the product in the search box at www.euchner.com .
	Closed position: ball detent mechanism Open position: detent knob/ door gap: 15 mm	Steel	Emergency release lever, for doors hinged on the right or left	098357	

Bolt sets (complete with switch)

Notice: The actuators are included with these bolts.

Designation	Detent mechanism/ door gap	Material	Version	Order no.	
 <p>Bolt CES-AC...C01</p>	Closed position: ball detent mechanism/ door gap: 7 mm	Steel	Bolt with pre-assembled safety switch CES-AR-C01-AH-SA-098941 for doors hinged on the right or left	109358	<p>For detailed information, enter the order number for the product in the search box at www.euchner.com.</p>
	Closed position: ball detent mechanism/ door gap: 7 mm	Steel	Bolt with pre-assembled safety switch CES-AP-C01-AH-SB-111145 for doors hinged on the right or left	113986	
	Closed position: ball detent mechanism Open position: detent knob/ door gap: 15 mm	Steel	Bolt with pre-assembled safety switch CES-AR-C01-AH-SA-098941 and safety plate ¹⁾ for doors hinged on the right or left	104028	
	Closed position: ball detent mechanism Open position: detent knob/ door gap: 15 mm	Steel	Bolt with pre-assembled safety switch CES-AR-C01-AH-SA-098941 and safety plate ¹⁾ for doors hinged on the right or left, emergency release lever	105619	
	Closed position: ball detent mechanism Open position: detent knob/ door gap: 7 mm	Steel	Bolt with pre-assembled safety switch CES-AP-C01-AH-SB-111145 and safety plate for doors hinged on the right or left, emergency release lever	124401	
	Closed position: ball detent mechanism Open position: detent knob/ door gap: 15 mm	Steel	Bolt with pre-assembled safety switch CES-AP-C01-AH-SB-111145 and safety plate ¹⁾ for doors hinged on the right or left, emergency release lever	116246	
	Closed position: ball detent mechanism Open position: detent knob/ door gap: 15 mm	Steel	Bolt with pre-assembled safety switch CES-AP-C01-CH-SB-111708 and safety plate ¹⁾ for doors hinged on the right or left, emergency release lever	115732	
	Closed position: ball detent mechanism/ door gap: 15 mm	Steel	Bolt with pre-assembled safety switch ¹⁾ CES-AP-C01-CH-SB-106798 for doors hinged on the right or left	110355	
Closed position: ball detent mechanism/ door gap: 15 mm	Steel	Bolt with pre-assembled safety switch ¹⁾ CES-AP-C01-CH-SB-111708 for doors hinged on the right or left	110354		

1) The safety plate prevents the use of a padlock in closed bolt position.


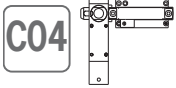
Bolts for housing design C04

Notice: The actuators are **not** included with these bolts.

For mounting:

CES-IAP-.-C04-...
CES-IAR-.-C04-...



Designation	Detent mechanism/ door gap	Material	Version	Order no.	
 <p>Bolt BTC-CES04-...</p>	Closed position: spring catch Open position: none/ door gap: 7 mm	Aluminum	For doors hinged on right and left, can be locked in open position with padlocks	121646	For detailed information, enter the order number for the product in the search box at www.euchner.com .
	Closed position: spring catch Open position: detent knob/ door gap: 7 mm	Aluminum	Emergency release lever, for doors hinged on right and left, can be locked in open position with padlocks	123583	

Bolts for housing design CTP

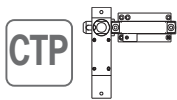
Notice: The actuators are included with these bolts.

For mounting:

CTP-...-...



Designation	Detent mechanism/ door gap	Material	Version	Order no.	
Bolt CTP-AC	None/ door gap: 15 mm	Steel	For doors hinged on right and left, can be locked in open position with padlocks	123653	For detailed information, enter the order number for the product in the search box at www.euchner.com .
Bolt CTP-ACF	Closed position: none Open position: detent knob/ door gap: 15 mm	Steel	Emergency release lever, for doors hinged on right and left, can be locked in open position with padlocks	123655	
Bolt CTP-AC-C2308	None/ door gap: 15 mm	Steel	For doors hinged on the right and left; bolt can be opened outward and inward (no end stop)	137354	
Bolt BTC-CTP-S-TH-00-X	None/ door gap: 15 mm	Die-cast aluminum	For doors hinged on right and left, can be locked in open position with padlocks	123659	
Bolt BTC-CTP-S-TH-01-F	Closed position: none Open position: detent knob/ door gap: 15 mm	Die-cast aluminum	Emergency release lever for doors hinged on the right and left; can be locked in open position with padlocks	123660	
Bolt CTP-GFK	None/ door gap: 7 mm	Plastic	For doors hinged on right and left; can be locked in open position with padlocks	123657	
Bolt CTP-GFK-F	Closed position: none Open position: detent knob/ door gap: 7 mm	Plastic	Emergency release lever, for doors hinged on right and left; can be locked in open position with padlocks	123658	
Switch bracket	–	Plastic	For safety switch CTP	096613	

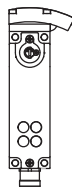



Bolts for housing design CET

Notice: - Actuators are **not** included with these bolts.
 - Cover (protection against tampering) for CET actuators included.

For mounting:

CET-A-...




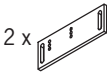
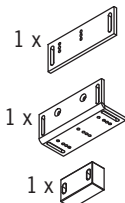
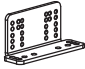




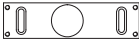
Designation	Detent mechanism/ door gap	Material	Version	Order no.	
Bolt CET-A-C	None/ door gap: 15 mm	Steel	For doors hinged on the right or left	104309	For detailed information, enter the order number for the product in the search box at www.euchner.com .
Bolt CET-A-C/F	Closed position: none Open position: detent knob/ door gap: 15 mm	Steel	For doors hinged on the right or left, for CET with escape release	106172	
Bolt CET-A-C/F-C2282	Closed position: none Open position: detent knob/ door gap: 15 mm	Steel, guide strip made of stainless steel	For doors hinged on the right or left, for CET with escape release	106350	
Bolt CET-A-C-C2308	None/ door gap: 15 mm	Steel	For doors hinged on the right or left. Bolt can be opened outward and inward (no end stop).	109672	



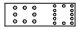








Fixing material

Mounting sets/mounting plates

Series	Use	Order no./item	
Mounting set AM-SET-PP 	For safety switch and actuator design C04 Set comprising: 2 x mounting plates	119690 AM-SET-PP-119690	For detailed information, enter the order number for the product in the search box at www.euchner.com .
C04 Mounting set AM-SET-PPB 	For safety switch and actuator design C04 Set comprising: 1 x mounting plate 1 x angle mounting plate 1 x spacer	119694 AM-SET-PPB-119694	
C40 Mounting bracket AM-B-126230 	For actuator CEM-...-C40	126230 AM-B-126230	
Mounting bracket AM-B-126231 	For safety switch CEM-...-C40	126231 AM-B-126231	
Angle mounting plate EMP-SB 	For safety switch CTP	093456 EMP-SB	
CTP Mounting plate EMP-B2 	For actuator CTP	093458 EMP-B2	
Mounting plate EMP-B1 	For actuator CTP and actuator CET	093457 EMP-B1	
Mounting plate AM-P 	For safety switch CTP	126026 AMP-126026	

Series	Use	Order no./item	
Mounting plate EMP-L-CET 	For safety switch CET	106695 EMP-L-CET	For detailed information, enter the order number for the product in the search box at www.euchner.com .
Mounting plate EMP-B-CET 	For actuator CET	106694 EMP-B-CET	
Mounting plate EMP-B1 	For actuator CTP and actuator CET	093457 EMP-B1	
Mounting plate AM-P 	For safety switch CET	126399 AM-P-126399	
Mounting plate AM-P 	For actuator CET	126400 AM-P-126400	
Mounting plate with handle 	Can be combined with mounting plates AM-P-126399 and AM-P-126400	126398 AM-P-126398	







CET





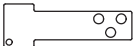

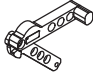

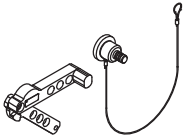





Miscellaneous accessories

Safety screws

Fixing material/screw size	Version/usage	Packaging unit [qty.]	Order no.
Safety screws, stainless steel M4 x 14 (small head)	Actuators CES-A-BBA, CES-A-BCA	20	071863
Safety screws, stainless steel M4 x 14 (large head)	Safety switch CES-...-C.2, actuator CES-A-BLN.2 and actuator CTP (straight/angled)	100	086232
Safety screws, stainless steel M4 x 20	Safety switch CES-+AP-...-C04 and actuator CES-A-BBN-C04-...	20	116978
Safety screws, stainless steel M5 x 10	Safety switch CES-...-C01, actuator CES-A-BPA and hinged actuator CTP (left/right)	100	073455
Safety screws M5 x 16	Actuators CES-A-BRN, CET-A-BWK and actuator A-C40	100	073456
Safety screws M5 x 25	Hinged actuator CTP (top/bottom)	100	073457

Miscellaneous accessories

Designation	Use	Version	Order no.
C04 ATEX housing protection 	For safety switch CES-C04	–	137528 AM-C-C04-EX-137528
C40 Lockout bar 	For safety switch design C40	–	123625 AE-L-C40-123625
CTP Mechanical key release 	For safety switch CTP	Identical locking, including two keys	086236
		Identical locking, key removable only in <i>unlocked</i> position, including two keys	109212
		Unique locking, including two keys	084177
		Identical locking, key removable in <i>locked</i> position, including two keys	121917
CTP Replacement key 	For mechanical key release, identical locking	Two keys, identical locking	099434
CTP Release 	For safety switch CTP	Resetting	103110
CTP Emergency unlocking 	For safety switch CTP	–	099877
CTP Lead seal kit	For emergency unlocking	–	087256

	Designation	Use	Version	Order no
CTP	Wire front release 	For safety switch CTP	Resetting, sheath length 2 m (rope length 6 m)	097747 AE-B-A1-02,0F-097747
	Resetting, sheath length 3 m (rope length 6 m)		111233 AE-B-A1-03,0F-111233	
	Handle for wire front release 	Suitable for all safety switches with wire front release		099795 AY-HDL-099795
			124204 AY-HDL-124204	
	Lockout bar 	For safety switch CTP	-	123411
	Lockout bar 	For actuator CET	Suitable for shackle diameter 5 mm - 6 mm	122609 AE-L-CET-122609
	Lockout bar 	For actuator CET	Suitable for shackle diameter 5 mm - 9 mm	156429 AE-L-CET-156429
	Holder for lockout bar 	For lockout bar AE-L-CET-156420	Including wire rope and ring to hang the wire rope onto the lockout bar	156338 AY-CHN-A1-156338
CET	Lockout bar + holder set 	For actuator CET	Suitable for shackle diameter 5 mm - 9 mm. Holder including wire rope and ring to hang the wire rope onto the lockout bar.	155865 AE-SET-LCHN-A1-155865
	Mechanical key release 	For safety switch CET	Identical locking, including two keys	098850
	Replacement key	For mechanical key release, identical locking	Two keys, identical locking	099434
	Emergency unlocking 	For safety switch CET	Latching in both positions	103714
	Lead seal kit	For emergency unlocking	-	087256
	Cover 	For safety switch CET and actuator CET	Door hinge right	098808
	Cover 		Door hinge left	098807
	Cover 	For actuator CET	Horizontal and vertical fastening option on the actuator	124979 AM-C-124979